

CATALOGUE  
**2019**  
**2020**

PNEUMATIC TOOLS

**AUTHENTIC**  
**POWER**



MIGHTY-SEVEN.COM

# ! WARNING :

- All the pneumatic tools should only be used as hand operated tools. They are powered by compressed air and are not insulated against electric shock.
- Always turn off the air supply and disconnect the air hose before changing or replacing any inserted tool and accessory.
- Before using these tools, make sure that all couplings and plugs are securely fastened. Air hoses which are under pressure may lash out when disconnecting, that can lead to serious injury!
- High sound levels may cause hearing damage.
- Always wear hearing protection when operating this tool.
- Wearing eye/face protection can reduce the danger of high-speed materials being emitted from the tool.
- Make sure that the direction of the spark generated from the cutting wheel grinding wheel or shank stone is properly directed so as to not create a hazard..
- Always wear gloves to reduce risk
- User must wear proper clothing.
- Loose clothing,
- long hair, stings, straps, belts and jewelry should not

be worn when operating this tool.

- Long periods of prolong use will cause fatigue.
- Periodic breaks are recommended for user safety.
- It is recommended to stop operating the tool whenever discomfort, tingling or pain occurs during use.
- Make sure there is no gas or combustible material stored near the tool when servicing, changing insert tools, or storage.
- Wearing proper breathing protection to avoid inhale dust or handling debris from working process, which can be harmful to the health.



## **m7'S SUCCESS IS A TEAM EFFORT!**

**m7** as it is affectionately called by thousands of users world-wide, is much more than just a good manufacturer of air tools. In fact, m7 provides a total brand solution for its air tool partners and consumers. m7's team is composed of a strong network of International air tool experts and an enthusiastic team of engineers, designers, marketers and administration personnel.

# **A STRONG BRAND LISTENS TO ITS CUSTOMERS**

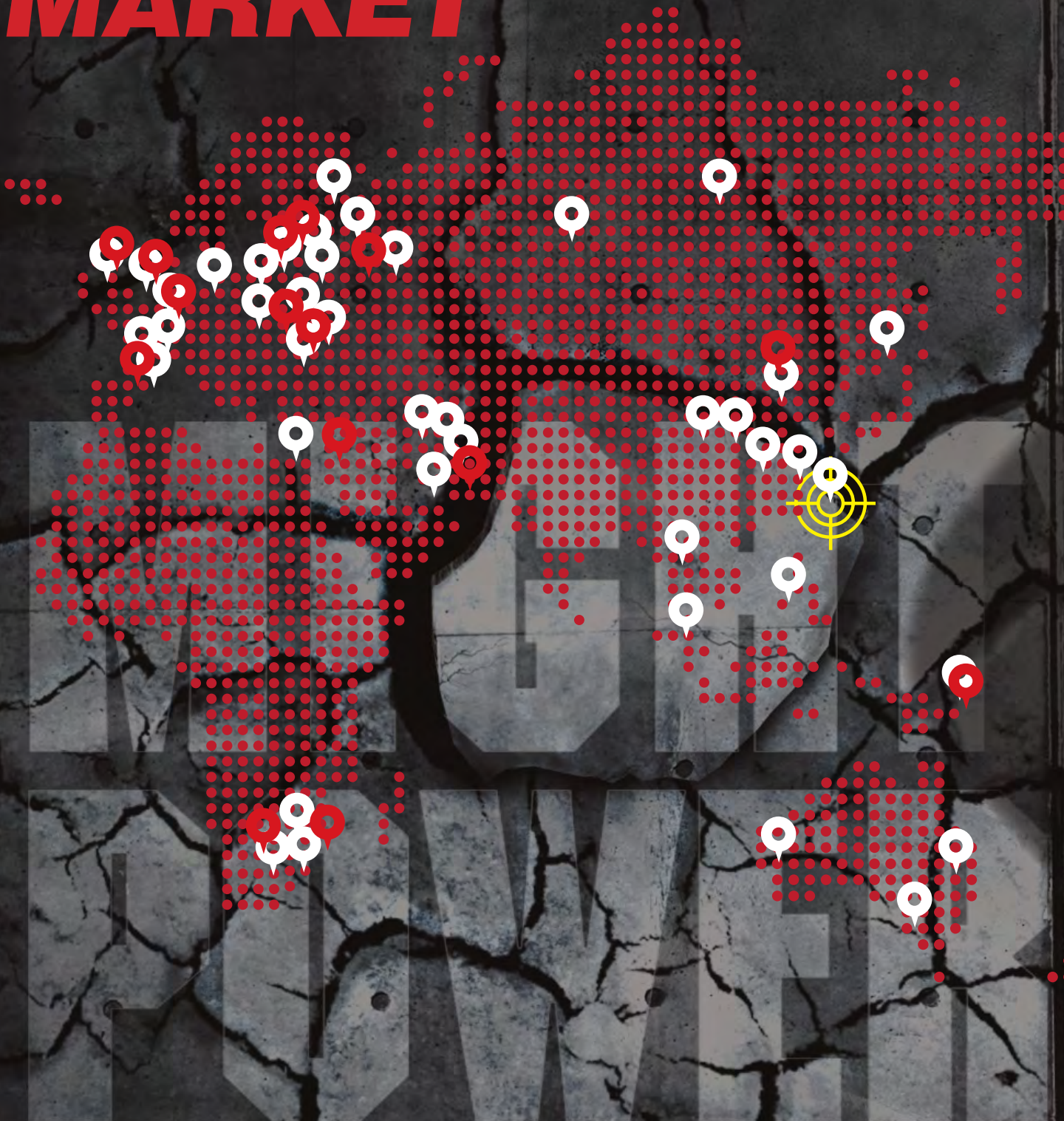
When we develop products such as our new, extremely small and handy air impact wrench NC-4610, m7 customers are our main driving force and focus. By building trust and excellent communication channels with our partners, distributors and channel customers, we very quickly get to understand what it is that they are looking and what motivates their choice of air tools.

As a designer, manufacturer and distributor of tools, we are just as committed to bringing the most reliable, efficient, ergonomic tools to the market as we are to fulfilling our promise of excellent service and support to our clients.

**BT**

**AUTHENTIC POWER**

# **EXPERTISE FOR A GLOBAL MARKET**



**m7** clients are very demanding and nothing short of excellence in product quality and fully committed support will do for them. We may sometimes feel that it is a lot to ask of a relatively new brand, but we embrace the challenge with open arms. We have been manufacturing tools for decades and our expertise in that field helps us better understand our clients' needs.



In terms of quality, we ensure that all the m7-branded products that we sell reflect our commitment to providing tools that are extremely reliable and perform. In order to achieve our standards of quality, our tools are tested thoroughly in our factory, using equipment such as computerized fatigue testing machines, digital torque testing machines, multi-functional testing machines, grinding efficiency testers, run-out testers, digital measuring projectors, environmental testing chamber, grinding and polishing machines, infrared tachometers, vibrations testers and decibel level detectors.

A red-bordered speech bubble containing a legend. It features a red location pin icon next to the text "Logistics" and a white location pin icon next to the text "Service Center".

- Logistics
- Service Center

**AUTHENTIC POWER**

# LEVEL IDENTIFICATION

## LEVEL

The air tools in this section have been categorized into three distinctive levels for user convenience (for reference only).



### Efficiency / Performance

Easy to use to handle tasks quickly, these tool embody efficiency and performance.



### Strength

Tools provide high torque force, superior grinding power and high cutting energy.



### Endurance

Built to last, product longevity and low failure rate are characteristics associated with these tools.

## APPLICATION

Application icons have been designed to provide visual references that suggest industry specific features or usability. These application icons are for reference only.



Automotive



Industry



Boat



Motorcycle



Agriculture

# CONTENT

- 12 - NEW PRODUCT
- 26 - AIR IMPACT WRENCH
- 50 - AIR IMPACT RATHCET WRENCH
- 56 - AIR DIE GRINDER
- 64 - AIR ANGLE GRINDER
- 72 - AIR BELT SANDER
- 74 - AIR SANDER
- 82 - AIR PISTOL SANDER
- 83 - AIR CUTTING TOOLS
- 88 - AIR DRILL
- 95 - AIR SCREWDRIVER
- 103 - SPRING BALANCER
- 105 - AIR HAMMER
- 110 - AIR HYDRAULIC RIVETER
- 115 - RIVETER ADAPTOR / RIVET NUT ADAPTOR
- 117 - AIR NAILER / AIR STAPLER
- 120 - AIR COIL NALLER
- 121 - AIR GREASE GUN
- 123 - AIR BLOW GUN
- 124 - 0.5 HP SERIES
- 130 - AUTO REPAIR TOOL
- 138 - SPECIAL TOOLE
- 139 - EXTRACTOR
- 140 - SANDBLASTING GUN
- 142 - FILTER REGULATOR LUBRICATOR
- 150 - AIR HOSE REEL
- 152 - USER DIY ASSEMBLED
- 154 - CORDLESS TOOLS
- 158 - TORQUE WRENCH
- 160 - IMPACT SOCKET
- 184 - DISPLAY STAND / DISPLAY CASE
- 185 - ACCESSORIES
- 196 - AIR ADAPTOR / QUICK COUPLINGS
- 198 - POWER BIT
- 200 - MERCHANDISE
- 202 - CATALOGING INFORMATION
- 207 - ALPHABETIC INDEX



# GLOBAL EXPANSION





Although we have been in the industry for more than 2 decades, m7 has only existed as a brand for a few short years. Nevertheless, the inroads that we have made in many important markets, such as automotive, have led us to believe that our combination of great partner support and quality air tools is our key to succeeding.

**m7** has made its bed and the focus is clearly on providing the right combination of marketing support, customer training and new product development as the way forward. When we print our slogan "greater partner support" we see it not so much as wishful thinking, but more as a m7 "truth", a code by which we live daily.



# IN-PROCESS INSPECTION

PNEUMATIC  
TOOLS  
GLOBAL EXPANSION

AUTHENTIC POWER

## What do we check during an In-Process Inspection?

The In-Process Inspection (IPI) cover our whole production process including the raw materials, unfinished products and assembly. Our team of inspectors chooses a specific quantity of completed products, according to AQL tables (MIL STD 105E). We inspect product appearance, workmanship quality, size measurements, weight check, functionality assortment, accessories, labeling & logos, packaging, packing and other tests and special requirements, depending on the product.

# NEW PRODUCTS

NEW PRODUCTS



## NC-6255Q NC-6255QH

**3/4" DRIVE AIR IMPACT WRENCH** Twin Hammer Type  
Air inlet : 1/4"

- Light weight 1.9kg
- The front housing & back head cover made by magnesium alloy
- Durability composite material

8 pieces in one carton



PATENT GREASE HOLE

NC-6255QH

The NC-4255-PVC Protective boot can apply on NC-6255



## NC-4130

**1/2" DRIVE AIR IMPACT WRENCH**

Pin clutch Type  
Air inlet : 1/4"

10 pieces in one carton

- Low vibration for working
- Clutch delivers smooth and comfortable operation
- Mini size tool body ,ultralight and easy use.
- One-handed forward / reverse button with 3 position power settings
- Compact and ergonomic design with rubber grip
- General Maintenance
- Robust housing and oil bath clutch provide durability Versatile tool
- ideal for all general repairs and maintenance applications

**1.2 m/s<sup>2</sup> VIBRATION LOW**





# NC-8266P NC-8266P-6

**40%**  
Lighter

**27%**  
More Powerful

## 1" DRIVE AIR IMPACT WRENCH

Twin Hammer Type  
Air inlet : 1/2"

4 pieces in one carton

NC-8266P-6 is equipped with 6" extended anvil.



# NC-4255Q-41KIT NC-4255Q-41KITA05

2 pieces in one carton

## FEATURES

Expert Quality, Commonly used in car repair special sets .

41pcs Impact Socket:

- +1 pc1/2" MA411M 10mm
- +1 pc1/2" MA411M 12mm
- +1 pc1/2" MA411M 14mm
- +1 pc1/2" MA411M 16mm
- +1 pc1/2" MA411M 18mm
- +1 pc1/2" MA411M 21mm
- +1 pc1/2" MA411M 24mm
- +1 pc1/2" MA411M 30mm
- +1 pc1/2" MA431M 10mm
- +1 pc1/2" MA431M 12mm
- +1 pc1/2" MA431M 14mm
- +1 pc1/2" MA431M 16mm
- +1 pc1/2" MA431M 18mm
- +1 pc1/2" MA431M 21mm
- +1 pc1/2" MA431M 24mm
- +1 pc1/2" MA431M17BV 17mm
- +1 pc1/2" MA431M19YL 19mm
- +1 pc1/2" MA431M21RD 21mm
- +1 pc1/2" MA411M 11mm
- +1 pc1/2" MA411M 13mm
- +1 pc1/2" MA411M 15mm
- +1 pc1/2" MA411M 17mm
- +1 pc1/2" MA411M 19mm
- +1 pc1/2" MA411M 22mm
- +1 pc1/2" MA411M 27mm
- +1 pc1/2" MA411M 32mm
- +1 pc1/2" MA431M 11mm
- +1 pc1/2" MA431M 13mm
- +1 pc1/2" MA431M 15mm
- +1 pc1/2" MA431M 17mm
- +1 pc1/2" MA431M 19mm
- +1 pc1/2" MA431M 22mm

- Torque Wrench:  
+1 pc 1/2"TE-442210
- Mini Lubricator:  
+1pc 1/4"SW-12
- Universal Joint:  
+1pc 1/2"ME4711



NC-4255Q-41KITA05  
(Blowmold Case)

CAN BE CUSTOMIZED



Square Drive	Bolt Capacity	Torque Range	Max Torque	Free Speed	Avg. Air Consumption	Air Pressure	Overall Length	Net Weight	Air Hose	Sound Pressure	Vibration Level			
Inch	Inch (mm)	FT-LB (Nm)	FT-LB Nm	R.P.M	CFM (L/min)	PSI (bar)	Inch (mm)	LBS kg	Inch	dBA	m/s <sup>2</sup>			
NC-4130	1/2"	5/8"(16)	180-400(244-542)	600	813	9000	4.5(127)	90(6.3)	5-9/16"(142)	55	1.61	3/8"	93.0	1.2
NC-4255Q	1/2"	1"(25)	200-800(271-1085)	1200	1627	8500	4.8(136)	90(6.3)	7-1/32"(179)	3.7	1.70	3/8"	85.0	4.7
NC-6255Q	3/4"	1"(25)	200-1100(271-1491)	1400	1890	8500	4.8(136)	90(6.3)	7-13/16"(198)	4.2	1.90	3/8"	85.0	4.7
NC-6255QH	3/4"	1"(25)	200-1100(271-1491)	1400	1890	8500	4.8(136)	90(6.3)	7-1/32"(179)	4.2	1.90	3/8"	85.0	4.5
NC-8266P	1"	1-3/8"(35)	200-2000(271-2710)	2300	3118	4500	9.0(254)	90(6.3)	10"(256)	13	5.90	1/2"	92.0	6.1
NC-8266P-6	1"	1-3/8"(35)	200-2000(271-2710)	2300	3118	4500	9.0(254)	90(6.3)	16"(408)	13.86	6.30	1/2"	92.0	6.1

# NEW PRODUCTS

NEW PRODUCTS



## NC-8332 NC-8332-6

**1" DRIVE AIR** Pin Less Type  
**IMPACT WRENCH** Air inlet : 1/2"

NC-8332-6 is equipped with 6" extended anvil



NC-8332

	Square Drive Inch	Bolt Capacity Inch (mm)	Torque Range FT-LB (Nm)	Max Torque FT-LB Nm		Free Speed R.P.M	Avg. Air Consumption CFM (L/min)	Air Pressure PSI (bar)	Overall Length Inch (mm)	Net Weight LBS kg		Air Hose Inch	Sound Pressure dBA	Vibration Level m/s <sup>2</sup>
NC-8332	1"	1-3/8"(33)	200-2000(271-2710)	2500	3390	4180	8.0(226.5)	90(6.3)	14-11/16"(372.6)	20.7	9.4	3/8"	103.8	8.22
NC-8332-6	1"	1-3/8"(33)	200-2000(271-2710)	2500	3390	4180	8.0(226.5)	90(6.3)	20-11/16"(525)	23.3	10.57	3/8"	103.8	8.22



## NC-398 NC-498

**3/8" & 1/2" DRIVE AIR**  
**ANGLE IMPACT WRENCH**  
Jumbo Hammer Type Air inlet : 1/4"

8 pieces in one carton

- Compared with geared angle impact, the gearless angle impact reduces vibration, increase torque output.
- Easy access in confined work spaces, short and stubby with 88 mm x 245 mm.
- Low reaction force.
- One handed Forward - Reverse operation 3 positions in forward and 1 in reverse.



	Square Drive Inch	Bolt Capacity Inch (mm)	Torque Range FT-LB (Nm)	Max Torque FT-LB Nm		Free Speed R.P.M	Avg. Air Consumption CFM (L/min)	Air Pressure PSI (bar)	Overall Length Inch (mm)	Net Weight LBS kg		Air Hose Inch	Sound Pressure dBA	Vibration Level m/s <sup>2</sup>
NC-398	3/8"	9/16"(14)	50-200(68-271)	300	405	6500	4.2(119)	90(6.3)	9-3/4"(247)	3.0	1.37	3/8"	85.0	2.0
NC-498	1/2"	5/8"(16)	80-300(108-405)	400	542	6500	4.2(119)	90(6.3)	9-3/4"(247)	3.0	1.37	3/8"	85.0	2.0



**NE-3901**  
**NE-4901**  
**3/8" & 1/2"**



DRIVE AIR  
IMPACT RATCHET  
Air inlet : 1/4" **20 pieces in one carton**



**NE-451R** **1/2" DRIVE AIR RATCHET WRENCH**  
**Rubber Handle**  
Air inlet : 1/4" **20 pieces in one carton**



	Square Drive	Torque Range	Max Torque	Free Speed	Avg. Air Consumption	Air Pressure	Overall Length	Net Weight	Air Hose	Sound Pressure	Vibration Level
	Inch	FT-LB (Nm)	FT-LB Nm	R.P.M	CFM (L/min)	PSI (bar)	Inch (mm)	LBS kg	Inch	dBA	m/s <sup>2</sup>
NE-3901	3/8"	5-35(7-47)	40 54	1100	3.1(87.1)	90(6.3)	6-1/4"(159)	1.32 0.6	3/8"	89.0	2.2
NE-4901	1/2"	10-40(13.5-54)	50 68	1100	3.0(69.4)	90 (6.3)	6-1/4"(159)	1.48 0.67	3/8"	89.0	2.2
NE-451R	1/2"	5-15"(6.7-20)	22 30	350	3.0(84.96)	90 (6.3)	5"(126)	1.1 0.50	3/8"	89.0	4.4



**NE-0405-KIT** **5 IN 1 MULTIPLE TOOL KIT**  
Contents

- 1pc NE-9004
- 1pc QA-9120
- 1pc QA-9620
- 1pc QB-9903
- 1pc QE-9132

**5 pieces in one carton**

**60FT-LB**  
**81Nm**  
Ratchet NE-9904



Die Grinder QA-9120



Angle Die Grinder QA-9620



Angle Grinder QB-9903



Air drill QE-9132



	Cylinder Power	Chuck Capacity	Free Speed	Net Weight	Overall Length	Avg. Air Consumption	Air Pressure	Air Inlet Size	Air Hose	Sound Pressure
	hp(w)	Inch (mm)	R.P.M	kg	mm	(L/min)	PSI (bar)	Inch	Inch	dBA
QA-9120	0.5(372)	1/4" & 1/8" (6mm & 3mm)	19,000	0.73	202.8	5.20	90(6.3)	1/4	3/8	83
NE-9904	0.5(372)	1/2"(13)	150	1.488	287.88	5.22	90(6.3)	1/4	3/8	83
QE-9132	0.5(372)	3/8"(10)	3300	1.143	248.38	5.20	90(6.3)	1/4	3/8	83
QB-9903	0.5(372)	PAD DIA 3"(76)	14,000	0.976	211.5	5.20	90(6.3)	1/4	3/8	83
QA-9620	0.5(372)	1/4" & 1/8" (6mm & 3mm)	14,000	0.89	208.5	5.20	90(6.3)	1/4	3/8	83



# NEW PRODUCTS

NEW PRODUCTS

## QP-111

1" AIR ANGLE SANDER

Air inlet : 1/4"

20 pieces in one carton



## MA4031M85

3 PCS 1/2" DR. DEEP THIN WALL IMPACT SOCKET SET

20 pieces in one carton



**STRENGTHEN  
STEEL  
SLEEVE**



3PCS 17mm.19mm.21mm

## QB-322RC

AIR BELT SANDER - ANGLE FELXIBLE

Air inlet : 1/4"

Can be bent to 0~50 degrees

5-stage speed regulation 10000~16000R.P.M can be adjusted according to sanding conditions

<Rubber Pulley> equipped with single point operation sanding

Bending design for large diameter metal tubes with iron bars or large curved surfaces

10 pieces in one carton



	Belt Size Pad Dia	Spindle Size	Free Speed	Avg. Air Consumption	Air Pressure	Overall Length	Net Weight	Motor	Air Hose	Sound Pressure	Vibration Level
	inch(mm)		R.P.M	CFM (L/min)	PSI (bar)	Inch (mm)	LBS kg	HP	Inch	dBA	m/s²
								<b>hp</b>			
QB-322RC	3/4"x20-1/2"(20x520)	-----	16000	4.0(226)	90(6.3)	17" (431.8)	3.1(1.41)	-----	3/8"	88	1.3
QP-111	1" (26)	M10 X P1.5	8000	2.7(152)	90(6.3)	6-3/8" (162.1)	1.2(0.55)	0.3	3/8"	89	0.3



# QB-7215M QB-7245M

## 100° AIR ANGLE GRINDER / LEVER TYPE THROTTLE

Note : The grinding wheel is not supplied along with the tool  
Air inlet : 1/4"

**Adjustable disc cover**

6 pieces in one carton

### Swivel Exhaust



- Strengthened motor design can reach 1.3HP.
- Metric and inch spindle design can meet accessory demands in every market.
- Spindle lock enables easier accessory changes.
- 100 degree design enables easier operation.
- Heavy duty air cooled spiral gears and double bearings for durability.



	Pad Dia inch(mm)	Spindle Size	Free Speed R.P.M	Avg. Air Consumption CFM (L/min)	Air Pressure PSI (bar)	Overall Length Inch (mm)	Motor HP	Net Weight LBS(kg)	Air Hose Inch	Sound Pressure dBA	Vibration Level m/s <sup>2</sup>
QB-7215M	5"(127)	M14*P2.0	11000	4.2(119)	90(6.3)	9-1/8" (232)	1.30	4.0 1.8	3/8"	90.0	1.2
QB-7245M	4"-1/2"(115)	M14*P2.0	11000	4.2(119)	90(6.3)	9-1/8" (232)	1.30	4.0 1.8	3/8"	90.0	1.2



# QB-51612 QB-51602

## AIR RANDOM ORBITAL SANDER CENTRAL-VACUUM

Air inlet : 1/4"

10 pieces in one carton

- With automatic brake function, it will not hurt the object.
- Brake function seal also improve vacuuming efficiency.
- Multiple holes sanding pad included.



**Sanding Pad Brake**



	Pad Dia inch(mm)	Free Speed R.P.M	Avg. Air Consumption CFM (L/min)	Air Pressure PSI (bar)	Overall Length Inch (mm)	Motor HP	Net Weight LBS(kg)	Air Hose Inch	Sound Pressure dBA	Vibration Level m/s <sup>2</sup>	orbit mm
QB-51612	6"(152)	10000	5(141)	90(6.3)	6"(152)	0.24	2 0.95	3/8"	81	1.5	2.5
QB-51602	6"(152)	10000	5(141)	90(6.3)	6"(152)	0.24	2 0.95	3/8"	81	1.5	5.0

# NEW PRODUCTS

NEW PRODUCTS

## ★★★ QE-624QA [SET]

### 4PCS MINI TOOLS SET

Air inlet : 1/4"

5 sets in one carton

#### Contents:

- + 1 pc QA-101
- + 1 pc QA-601
- + 1 pc QE-924
- + 1 pc QE-624



	Chuck Size inch/mm	Free Speed R.P.M	Avg. Air Consumption CFM (L/min)	Air Pressure PSI(bar)	Overall Length Inch (mm)	Net Weight LBS /kg	Air Hose Inch	Sound Pressure dBA	Vibration Level m/s <sup>2</sup>	Motor HP
QE-624	1/4" (6mm)	5000	7.8(130)	90(6.3)	5-5/8"(143)	1.47(0.67)	3/8"	82	1.2	0.3
QE-924	1/4" (6mm)	6500	8.1(135)	90(6.3)	5-3/4"(146)	1.2(0.55)	3/8"	77	1.2	0.3
QA-101	1/4" & 1/8" (6mm & 3mm)	25000	6.3(105)	90(6.3)	4-11/16"(119)	0.7(0.32)	3/8"	80	1.4	0.3
QA-601	1/4" & 1/8" (6mm & 3mm)	22000	10(167)	90(6.3)	4-3/4"(120.7)	0.97(0.44)	3/8"	84	1.1	0.3

## ★★★ RA-801EA

### AIR SCREWDRIVER EXTERNAL ADJUSTABLE

Air inlet : 1/4"

10 pieces in one carton



Screw Capacity : M4

- One hand forward / reverse operation
- Two step trigger
- Swivel air inlet



EXTERNAL ADJUSTABLE



	Chuck Size inch	Torque Range FT-LB(Nm)	Free Speed R.P.M	Avg. Air Consumption CFM (L/min)	Air Pressure PSI(bar)	Overall Length Inch(mm)	Net Weight LBS /kg	Air Hose Inch	Sound Pressure dBA	Vibration Level m/s <sup>2</sup>
RA-801EA	1/4"	3.8-10.4(5-14 Nm)	2100	4.0(113)	90(6.3)	9"(230)	3.0 (1.39)	3/8"	90.0	4.2



# 3/8" QE-2130/QE-2133/QE-2137 1/2" QE-2143

## AIR REVERSIBLE DRILL

Air inlet : 1/4"

10 pieces in one carton

- 4 Running speeds identified by different colour rings for multiple applications.

### Trigger Hold Function



	Chuck Size inch(mm)	Free Speed R.P.M	Motor hp	Avg. Air Consumption CFM (L/min)	Air Pressure PSI (bar)	Overall Length Inch (mm)	Net Weight LBS / kg	Air Hose Inch	Sound Pressure dBA	Vibration Level m/s <sup>2</sup>
QE-2130	3/8"(10)	3500	0.5(372w)	4(113)	90(6.3)	7.12( 181)	1.76(0.8)	3/8"	92	0.2
QE-2133	3/8"(10)	2000	0.5(372w)	4(113)	90(6.3)	7.12( 181)	1.76(0.8)	3/8"	92	0.2
QE-2137	3/8"(10)	2800	0.5(372w)	4(113)	90(6.3)	7.12( 181)	1.76(0.8)	3/8"	92	0.2
QE-2143	1/2"(13)	500	0.5(372w)	4(113)	90(6.3)	9(229)	2.64(1.2)	3/8"	92	0.2

## YA-0303

### QUICK ASSEMBLY TENT

1 pieces in one carton

- Quick disassembly and assembly with quick release structure design.
- After shrinking, it can be placed in the trunk of vehicle. Easy to carry.

Tent Size	Size	Area	Weight	Top hight
	3.3m	9m <sup>2</sup>	22.5kg	3.5m



## AD-309 DISPLAY BOARD

1 pieces in one carton

- Nice m7 brand image is conducive to small space display hanging tools.
- Can also be used as a gift to the user to hang the tools.

Overall Size(mm)  
Width x Depth x Height

725 x 14 x 900  
weight:11.5kg



## ZC-203 SPORTS CAP



# NEW PRODUCTS

NEW PRODUCTS

## JC-202

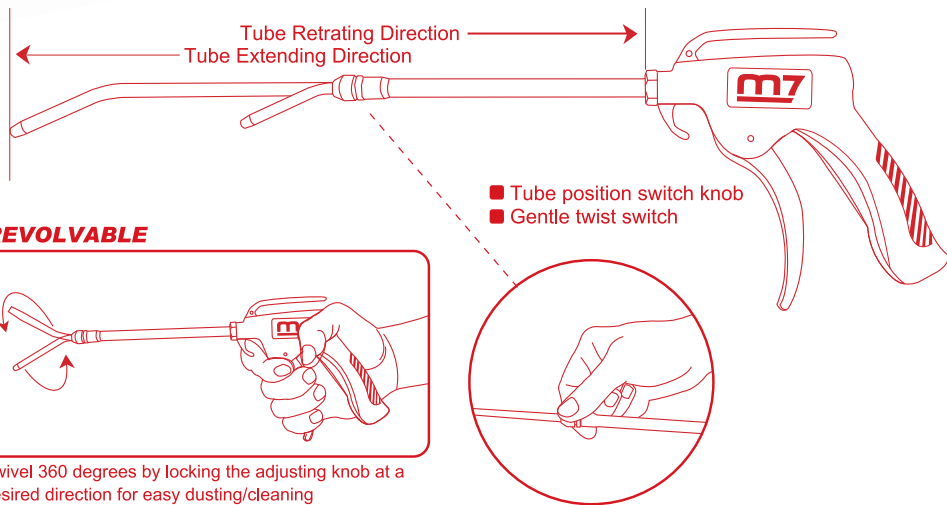
AIR BLOW GUN

Air inlet : 1/4"

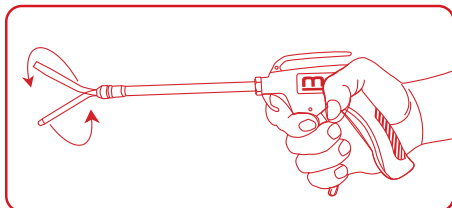
60 pieces in one carton



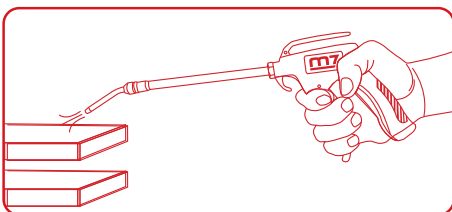
**Extendable tube.  
Revolvable nozzle.**



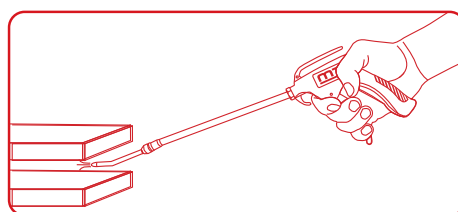
**REVOLVABLE**



Swivel 360 degrees by locking the adjusting knob at a desired direction for easy dusting/cleaning



Extending reach on narrow surface area dusting/cleaning



As well as dusting/cleaning on hard reaching area

	Nozzle Length inch	Working Pressure PSI (bar)	Max Pressure PSI (bar)	Avg. Air Consumption CFM(L/min)	Avg. Air Consumption CFM(L/min)	Net Weight LBS kg	Air Hose Inch	Sound Pressure dBA
JC-202	7"-12"	90-120(6.2-8.5)	220(15.1)	-----	5.10(144)	0.48 0.22	3/8"	90.0

# SX-1618

10 pieces in one carton

## AIR CLEANING GUN KIT

Contents: 1pc air pressure washer gun.

1pc air snow gun.

1pc sponge .



Sponge

Air Pressure Washer Gun



Air Snow Gun

# SX-1201

20 pieces in one carton

## AIR UNDERSEAL GUN

- Connect the gun to the compressed air line system.
- When the handle is activated, the air flow sucks the paint up out of the container with an ejective effect.



	Air Inlet	Avg. Air Consumption	Air Pressure	Air Hose	Overall Length	Net Weight	
	Inch (mm)	CFM	PSI	Inch (mm)	Inch (mm)	LBS	(kg)
SX-1201	1/4"(6mm)	6.2	90	3/8"(10)	9-9/16"(245mm)	1.43	0.65
SX-1618	1/4"(6mm)	5	90	3/8"(10)	14-15/16"(380mm)	0.44	0.19

# NEW PRODUCTS

NEW PRODUCTS

## SB-6042

Air Inlet : 1/4"  
Dial Face Size : ø3"



## SB-3030

Air inlet : 1/4"



## SB-3038

Air inlet : 1/4"



## SB-4031 SB-4151

**ONE TOUCH**  
Air Inlet : 1/4"  
Short Piping  
Dial Face Size : ø3.5"

20 pieces in one carton



Long Piping



SB-4151

## SB-2031 SB-2131

**ONE TOUCH**  
Air Inlet : 1/4"  
Short Piping  
Dial Face Size : ø3.5"

20 pieces in one carton



Long Piping



SB-2131

	Max Pressure PSI (bar)	Air Consumption at 100PSI CFM	Air Inlet Inch	Air Pressure PSI (bar)	Net Weight kg	Air Hose Inch	Pipe Length cm	
	MAX							
SB-2031	160(11.0)	1.41	1/4"	90(6.3)	0.6	3/8"	30	One touch clip
SB-2131	160(11.0)	1.41	1/4"	90(6.3)	0.65	3/8"	150	One touch clip
SB-3030	200(14.0)	1.41	1/4"	90(6.3)	0.49	3/8"	30	Tyre valve clip
SB-3038	200(14.0)	1.41	1/4"	90(6.3)	0.68	3/8"	100	Tyre valve clip
SB-4031	160(11.0)	1.41	1/4"	90(6.3)	0.6	3/8"	30	One touch clip
SB-4151	160(11.0)	1.41	1/4"	90(6.3)	0.65	3/8"	150	One touch clip
SB-6042	160(11.0)	1.41	1/4"	90(6.3)	0.62	3/8"	100	Tyre valve clip

## ★★ TB-205025N

1/4" Torque Wrench, Engrave. Nm / ft-lb scale, Down Push

24 pieces in one carton



## ★★ TB-305025N

## TB-320110N

3/8" Torque Wrench, Engrave. Nm / ft-lb scale, Down Push

24 pieces in one carton



## ★★ TB-420210N

## TB-450350N

1/2" Torque Wrench, Engrave. Nm / ft-lb scale, Down Push

12 pieces in one carton



## ★★ TB-610060N

## TB-615080N

## TB-620100N

3/4" Torque Wrench, Engrave. Nm / ft-lb scale, Down Push

2 pieces in one carton



	Drive	Torque Range (Nm)	Torque Range (ft-lb)	Indicator	Torque Adjusting	D mm	H mm	L mm	Weight kg
TB-205025N	1/4"	5-25	4.425-17.7	Engrave	Rotating	32	31.8	281	0.53
TB-305025N	3/8"	5-25	4.425-17.7	Engrave	Rotating	32	31.8	361	0.77
TB-320110N	3/8"	20-110	18.5-77.5	Engrave	Rotating	32	31.8	361	0.77
TB-420210N	1/2"	20-210	18.4-151.2	Engrave	Rotating	40.5	40	461	1.25
TB-450350N	1/2"	50-350	48-247.2	Engrave	Rotating	40.5	40	553	1.59
TB-610060N	3/4"	100-600	92-424	Engrave	Rotating	63	58	1010	2.41
TB-615080N	3/4"	150-800	129-572	Engrave	Rotating	63	58	1010	2.41
TB-620100N	3/4"	200-1000	166-719	Engrave	Rotating	63	58	1010	2.41



# NEW PRODUCTS

NEW PRODUCTS

## ★★ TW-611602 TW-611802 TW-612102

3/4" Torque Wrench, Window display.  
Nm / ft-lb scale, Back Tuning

2 pieces in one carton



## ★★ TW-210222

1/4" Torque Wrench, Window display.  
Nm / ft-lb scale, Back Tuning

24 pieces in one carton

## ★★ TW-310552

3/8" Torque Wrench, Window display.  
Nm / ft-lb scale, Back Tuning

24 pieces in one carton

## ★★ TW-411102 TW-412202

1/2" Torque Wrench, Window display.  
Nm / ft-lb scale, Back Tuning

12 pieces in one carton



	Drive	Torque Range (Nm)	Torque Range (ft-lb)	Indicator	Torque Adjusting	D mm	H mm	L mm	Weight kg
TW-210222	1/4"	2-25	1.5 - 18	Magnifying glass	Back Tuning	40.5	40	296	0.41
TW-310552	3/8"	5 - 50	3.5 - 37	Magnifying glass	Back Tuning	40.5	40	333	0.47
TW-411102	1/2"	10-100	8-75	Magnifying glass	Back Tuning	40.5	40	400	0.82
TW-412202	1/2"	20-200	10-150	Magnifying glass	Back Tuning	40.5	40	500	1.3
TW-611602	3/4"	100 - 600	75 - 440	Magnifying glass	Back Tuning	63	58.5	1040	4.65
TW-611802	3/4"	150 - 800	110 - 590	Magnifying glass	Back Tuning	63	58.5	1240	5.45
TW-612102	3/4"	200 - 1000	150 - 740	Magnifying glass	Back Tuning	63	58.5	1240	5.45

## BRUSHLESS DD-20502

20V BL Motor Drill Driver

Key Spec:

- Speed: 0-450RPM/0-1750RPM
- Setting: 23+1
- Max Torque: 68N.m
- Chuck Size: 1/2"
- Accessory: 2pcs 5.0Ah Li-ion battery+ 1pc charger +2pcs bits
- Package: BMC

## FEATURES

1. Brushless motor technology delivers longer motor life, more power and more run-time.
2. Jacobs® 1/2" Ratcheting , single-sleeve keyless metal chuck.
3. Two speed metal gearbox operates at 0-450/0-1750 RPM.
4. LED work light on the foot with after-glow.
5. Electric brake quickly stops the chuck rotation.
6. Removable bit holder and belt clip.



# DJS-25502A

## 18V Jig Saw

Key Spec:

- Stroke Length: 25mm (1inch)
- No Load Speed: 0-2200
- Variable Speed
- Keyless Accessory Change
- LED Light
- Accessories: 5.0Ah battery x 2pcs; charger x 1pc
- Packaging: BMC

## FEATURES

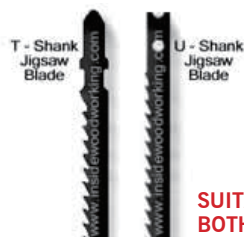
1. Variable speed trigger for precision speed and control.
2. Electric brake quickly stops the blade motion.
3. 4-Position orbital action for cutting versatility in a variety of materials.
4. Adjustable shoe bevels from 0 - 45 degrees (left/right).
5. Tool-less blade change allows for fast blade changes; accepts "T" and "U" shank Jigsaw blades.
6. LED work light.

### SPEC

VARIABLE SPEEDS 0-2,200 SPM( No-load)  
STROKE LENGTH 1"

### CUTTING CAPACITY:

2-1/2" (Wood);3/8" (Aluminum);1/4" (Steel)



SUITABLE FOR BOTH T&U SHANK



# DG-585502A

## 5" Angle Grinder

Key Spec:

- Power: 20V
- No Load Speed: 8000RPM
- Cutting Disk: 125mm (NOT INCLUDED)
- Spindle thread: M14

Accessories:

- 5.0Ah battery x 2pcs
- Charger x 1pc
- Guard spanner x 1pc
- Aux handle x 1pc
- Packaging: color box charger x 1pc
- Packaging: color box

## FEATURES

1. Tool-less adjustable guard for quick and easy adjustments.
2. Spindle lock for quick and easy disc changes.
3. 2-Position handle.
4. Lock-on switch for continuous operation



AIR  
IMPACT  
WRENCH

# AIR IMPACT WRENCH



## TOP SALES



# NC-4255Q NC-4265Q

**1/2" DRIVE AIR IMPACT WRENCH** Twin Hammer Type  
Air inlet : 1/4"

NC-4265 is equipped with 2" extended anvil

8 pieces in one carton



PATENT GREASE HOLE

FOR EZ GREASE VERSION ONLY

# NC-4255QP NC-4255QHP

(EZ GREASE ANVIL)

WITH PROTECTIVE COVER INSIDE

8 pieces in one carton

## FEATURES

- The front housing & back head cover made by magnesium alloy
- Durability composite material



PATENT GREASE HOLE

FOR EZ GREASE VERSION ONLY

# NC-4255QH

EZ GREASE ANVIL



# "IMPOSSIBLE"

Is Not A Big Word Anymore

The world's lightest and most powerful

# NC-4255PVC

PROTECTIVE COVER



	Square Drive Inch	Bolt Capacity Inch (mm)	Torque Range FT-LB (Nm)	Max Torque FT-LB Nm	Free Speed R.P.M	Avg. Air Consumption CFM (L/min)	Air Pressure PSI (bar)	Overall Length Inch (mm)	Net Weight LBS kg	Air Hose Inch	Sound Pressure dBA	Vibration Level m/s <sup>2</sup>
NC-4255Q	1/2"	1"(25)	200-800(271-1085)	1200 1627	8500	4.8(136)	90(6.3)	7-1/32"(179)	3.7 1.70	3/8"	85.0	4.7
NC-4255QP	1/2"	1"(25)	200-800(271-1085)	1200 1627	8500	4.8(136)	90(6.3)	7-1/32"(179)	4.0 1.80	3/8"	85.0	4.7
NC-4255QH	1/2"	1"(25)	200-800(271-1085)	1200 1627	8500	4.8(136)	90(6.3)	7-1/32"(179)	3.7 1.70	3/8"	85.0	4.7
NC-4265Q	1/2"	1"(25)	200-800(271-1085)	1200 1627	8500	4.8(136)	90(6.3)	9-1/32"(230.5)	4.0 1.80	3/8"	85.0	4.7

# AIR IMPACT WRENCH

AIR IMPACT WRENCH



## NC-3610Q

**3/8" DRIVE AIR IMPACT WRENCH**

Jumbo Hammer Type  
Air inlet : 1/4"

10 pieces in one carton



## NC-3210

**3/8" DRIVE AIR IMPACT WRENCH**

Twin Hammer Type  
Air inlet : 1/4"

10 pieces in one carton



## NC-3831

**3/8" DRIVE AIR IMPACT WRENCH**

Twin Dog Type  
Air inlet : 1/4"

10 pieces in one carton



## NC-398 NC-498

**3/8" & 1/2" DRIVE AIR ANGLE IMPACT WRENCH**

Jumbo Hammer Type Air inlet : 1/4"

10 pieces in one carton



## NC-3410

**3/8" DRIVE AIR IMPACT WRENCH**

Rocking Dog Type  
Air inlet : 1/4"

20 pieces in one carton



## NC-3810

**3/8" DRIVE AIR IMPACT WRENCH**

Twin Dog Type  
Air inlet : 1/4"  

- Butterfly type forward/reverse trigger
- 180 degree turnaround air inlet
- Three speed adjusting switch

20 pieces in one carton



Air impact wrench



## NC-3910

**3/8" DRIVE AIR IMPACT WRENCH**

Twin Dog Type  
Air inlet : 1/4"

12 pieces in one carton



## NC-3911

**3/8" DRIVE AIR IMPACT WRENCH**

Twin Dog Type  
Air inlet : 1/4"

12 pieces in one carton



## RA-111

**3/8" DRIVE AIR IMPACT WRENCH**

Twin Hammer Type  
Air inlet : 1/4"

20 pieces in one carton

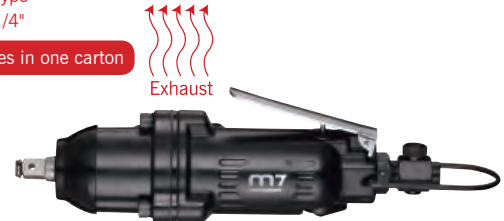


## NC-3812

**3/8" DRIVE AIR IMPACT WRENCH**

Twin Dog Type  
Air inlet : 1/4"

12 pieces in one carton



	Square Drive	Bolt Capacity	Torque Range	Max Torque		Free Speed	Avg. Air Consumption	Air Pressure	Overall Length	Net Weight		Air Hose	Sound Pressure	Vibration Level
	Inch	Inch (mm)	FT-LB (Nm)	FT-LB	Nm	R.P.M	CFM (L/min)	PSI (bar)	Inch (mm)	LBS	kg	Inch	dBA	m/s <sup>2</sup>
NC-3210	3/8"	1/2"(13)	100-300(136-407)	350	474	10000	4.0(113)	90 (6.3)	5-5/8" (142)	3.3	1.50	3/8"	92.1	3.6
NC-3410	3/8"	3/8"(10)	5-50(7-68)	75	102	10000	2.5(71)	90 (6.3)	6-1/4" (159)	1.7	0.80	3/8"	92.1	3.6
NC-3610Q	3/8"	1/2"(13)	100-300(136-407)	350	474	8000	4.4(124)	90 (6.3)	4-9/16" (155.5)	3.3	1.50	3/8"	85.0	2.8
NC-3810	3/8"	3/8"(10)	5-50(7-68)	75	102	11000	2.3(65)	90 (6.3)	5-15/32" (139)	1.1	0.50	3/8"	91.0	3.6
NC-3812	3/8"	M10~M12	60-120(81-162)	180	244	8000	10(283)	90 (6.3)	7-31/64" (190)	2.3	1.06	3/8"	97.0	5.1
NC-3831	3/8"	15/32"(M12)	80-120(108-162)	180	244	8000	10(283)	90 (6.3)	7-9/32" (185)	2.9	1.34	3/8"	93.0	4.9
NC-3910	3/8"	5/16"(8)	5-37(7-50)	66	90	8500	8.5(240)	90 (6.3)	10-7/16"(265)	3.5	1.60	3/8"	90.0	5.1
NC-3911	3/8"	3/8"(10)	5-44(7-60)	96	130	7000	7.0(198)	90 (6.3)	9-7/16"(240)	3.5	1.60	3/8"	90.0	5.1
RA-111	3/8"	5/16" (8)	3.7-36.9(5-50)	50	68	8500	8.5(255)	90 (6.3)	8-1/4"(208)	2.2	1.0	3/8"	96.7	4.9
NC-398	3/8"	9/16"(14)	50-200(68-271)	300	405	6500	4.2(119)	90(6.3)	9-3/4"(247)	3.0	1.37	3/8"	85.0	2.0
NC-498	1/2"	5/8"(16)	80-300(108-405)	400	542	6500	4.2(119)	90(6.3)	9-3/4"(247)	3.0	1.37	3/8"	85.0	2.0

# AIR IMPACT WRENCH



## NC-4233Q NC-4233QH (EZ GREASE ANVIL)

1/2" DRIVE AIR IMPACT WRENCH Twin Hammer Type Air inlet : 1/4"



- Rotor blades attached with springs which prolong durability.
- Shorter air inlet path to boost air efficiency
- simple mechanism for easy maintenance
- Air inlet 360 degree swivel.
- Composite material light design
- 3 setting forward power regulator for controlled run up.



45%  
Lighter

PATENT  
GREASE  
HOLE

FOR EZ GREASE  
VERSION ONLY



Exhaust



## NC-4233TL (TORQUE LIMITED)

1/2" DRIVE AIR IMPACT WRENCH

Twin Hammer Type Air inlet : 1/4"

8 pieces in one carton

- Forward operation torque is limited 50 ~ 80 Nm for vehicle tire service.
- 6 rotor-blades makes efficient starting torque.



Exhaust



## NC-4236 NC-4236Q

1/2" DRIVE AIR IMPACT WRENCH

Twin Hammer Type Air inlet : 1/4"

8 pieces in one carton

60%  
more  
Powerful



Exhaust



# NC-4610 NC-4610Q

**1/2" DRIVE AIR IMPACT WRENCH** Jumbo Hammer Type  
Air inlet : 1/4"

- Best in class performance for a tool of just 115.5 mm long and weight 1.6 Kg.
- The minimum size of this tool will allow greater access to tight and limited spaces.
- Small but with greater power. Reach 450-ft-lb in just 5 seconds.
- Low noise sound level 85 db.
- Common application to narrow working place and Agricultural maintenance.
- Powerful yet compact.

10 pieces in one carton

**64%** Lighter  
**60%** Shorter



# NC-4256 NC-4256Q NC-4266

**1/2" DRIVE AIR IMPACT WRENCH**

Twin Hammer Type  
Air inlet : 1/4"  
NC-4266 is equipped with 2" extended anvil

10 pieces in one carton



# NC-4258

**1/2" DRIVE AIR IMPACT WRENCH**

Twin Hammer Type  
Air inlet : 1/4"

8 pieces in one carton



	Square Drive	Bolt Capacity	Torque Range	Max Torque		Free Speed	Avg. Air Consumption	Air Pressure	Overall Length	Net Weight		Air Hose	Sound Pressure	Vibration Level
	Inch	Inch (mm)	FT-LB (Nm)	FT-LB	Nm	R.P.M	CFM (L/min)	PSI (bar)	Inch (mm)	LBS	kg	Inch	dBA	m/s <sup>2</sup>
NC-4233Q	1/2"	3/4"(19)	200-500(271-678)	850	1152	9000	4.6(132)	90(6.3)	7-1/2"(190)	4.6	2.10	3/8"	85.0	4.4
NC-4233QH	1/2"	3/4"(19)	200-500(271-678)	850	1152	9000	4.6(132)	90(6.3)	7-1/2"(190)	4.6	2.10	3/8"	85.0	4.4
NC-4233TL	1/2"	3/4"(19)	37-59(50-80)	850	1152	2800	4.6(132)	90(6.3)	7-1/2"(190)	4.6	2.10	3/8"	85.0	4.4
NC-4236	1/2"	1"(25)	200-700(271-949)	1000	1350	7500	5.5(155)	90(6.3)	6-45/64"(171)	5.7	2.60	3/8"	87.0	4.5
NC-4236Q	1/2"	1"(25)	200-700(271-949)	1000	1350	7500	5.5(155)	90(6.3)	6-45/64"(171)	5.7	2.60	3/8"	83.0	4.5
NC-4256	1/2"	1"(25)	200-900(271-1220)	1100	1491	7000	5.1(144)	90(6.3)	5-9/16"(141)	4.0	1.80	3/8"	95.0	2.8
NC-4256Q	1/2"	1"(25)	200-900(271-1220)	1000	1356	7000	5.1(144)	90(6.3)	5-9/16"(141)	4.0	1.80	3/8"	85.0	2.8
NC-4266	1/2"	1"(25)	200-900(271-1220)	1000	1356	7000	5.1(144)	90(6.3)	7-9/16"(191)	4.2	1.90	3/8"	85.0	2.8
NC-4610	1/2"	5/8"(16)	200-350(271-475)	450	610	9000	4.4(124)	90(6.3)	4-9/16"(115.5)	3.5	1.60	3/8"	93.0	2.8
NC-4610Q	1/2"	5/8"(16)	200-350(271-475)	400	542	9000	4.4(124)	90(6.3)	4-9/16"(115.5)	3.5	1.60	3/8"	85.0	2.8
NC-4258	1/2"	5/8"(16)	150-300(203-407)	400	542	7000	4.2(119)	90(6.3)	7-1/4"(185)	5.6	2.50	3/8"	93.0	4.4



# AIR IMPACT WRENCH



## NC-4650 NC-4650H

1/2" DRIVE AIR IMPACT WRENCH Jumbo Hammer Type Air inlet : 1/4"

10 pieces in one carton

### FEATURES

- + Ergonomic design, lightweight 1.4kg
- + Excellent Max torque 900NM(650FT/LB)
- + Mini type with overall length 104mm, ultralight and easy to use.

## NC-4650H

EZ GREASE



PATENT GREASE HOLE FOR EZ GREASE VERSION ONLY



## NC-4611Q

1/2" DRIVE AIR IMPACT WRENCH

Jumbo Hammer Type Air inlet : 1/4"

m7 3rd generation super mini in length 111mm.

10 pieces in one carton



## NC-4620QN

1/2" DRIVE AIR IMPACT WRENCH

Jumbo Hammer Type Air inlet : 1/4"

10 pieces in one carton

- 2" Extended Anvil matching special double sided socket 17mm & 19mm and 21mm & 22mm specifically for automotive tyres.
- Reduce physical loading 40%.



## NC-4630 NC-4630Q

1/2" DRIVE AIR IMPACT WRENCH

Jumbo Hammer Type Air inlet : 1/4"

10 pieces in one carton

68% Lighter  
60% Shorter



## NC-4811

1/2" DRIVE AIR IMPACT WRENCH

Twin Dog Type Air inlet : 1/4"

12 pieces in one carton

Exhaust





# NC-4210N

**1/2" DRIVE AIR IMPACT WRENCH**

Twin Hammer Type Air inlet : 1/4"

**10** pieces in one carton

- stubby impact sockets, 6 points:5pcs 13,17,19,22,24 mm



# NC-4610N

**1/2" DRIVE AIR IMPACT WRENCH**

Junbo Hammer Type Air inlet : 1/4"

**10** pieces in one carton

- stubby impact sockets, 6 points:5pcs 13,17,19,22,24 mm



	Square Drive	Bolt Capacity	Torque Range	Max Torque		Free Speed	Avg. Air Consumption	Air Pressure	Overall Length	Net Weight		Air Hose	Sound Pressure	Vibration Level
	Inch	Inch (mm)	FT-LB (Nm)	FT-LB	Nm	R.P.M	CFM (L/min)	PSI (bar)	Inch (mm)	LBS	kg	Inch	dBA	m/s <sup>2</sup>
NC-4650	1/2"	5/8"(16)	180-400(244-542)	650	900	9000	4.69(132.8)	90(6.3)	4-1/16"(104)	3.3	1.40	3/8"	95.0	2.4
NC-4650H	1/2"	5/8"(16)	180-400(244-542)	650	900	9000	4.69(132.8)	90(6.3)	4-1/16"(104)	3.3	1.40	3/8"	95.0	2.4
NC-4611Q	1/2"	5/8"(16)	200-350(271-475)	450	610	10000	4.0(113)	90(6.3)	4-3/8"(111)	3.3	1.50	3/8"	85.0	2.8
NC-4620QN	1/2"	5/8"(16)	200-350(271-475)	450	610	9000	4.4(124)	90(6.3)	6-9/16"(166)	3.7	1.70	3/8"	85.0	2.8
NC-4630	1/2"	5/8"(16)	100-400(136-475)	550	746	10000	4.4(124)	90(6.3)	3-27/32"(97)	3.3	1.50	3/8"	96.0	2.8
NC-4630Q	1/2"	5/8"(16)	100-400(136-475)	550	746	10000	4.4(124)	90(6.3)	3-27/32"(97)	3.3	1.50	3/8"	85.0	2.8
NC-4811	1/2"	9/16"(M14)	100-140 (136-189)	200	271	5500	8.5(240)	90(6.3)	10-9/32" (260)	3.7	1.70	3/8"	85.0	5.3
NC-4210N	1/2"	5/8"(16)	150-350(203-475)	400	542	10000	4.2(119)	90(6.3)	5-5/8"(142)	3.5	1.60	3/8"	90.6	2.8
NC-4610N	1/2"	5/8"(16)	200-350(271-475)	450	610	9000	4.4(124)	90(6.3)	4-9/16"(115.5)	3.5	1.60	3/8"	93.0	2.8

# AIR IMPACT WRENCH

AIR IMPACT WRENCH



## NC-4130

**1/2" DRIVE AIR IMPACT WRENCH**

Pin clutch Type  
Air inlet : 1/4"

10 pieces in one carton



- Low vibration for working
- Clutch delivers smooth and comfortable operation
- Mini size tool body ,ultralight and easy use.
- One-handed forward / reverse button with 3 position power settings
- Compact and ergonomic design with rubber grip
- General Maintance
- Robust housing and oil bath clutch provide durability Versatile tool
- ideal for all general repairs and maintenance applications



## NC-4232Q

**1/2" DRIVE AIR IMPACT WRENCH**

Twin Hammer Type  
Air inlet : 1/4"

10 pieces in one carton



## WON PTEN Air tools U.S.A

- Sophisticated and powerful tool: m7's most advanced composite mini air impact wrench that can use in narrow space.
- Unbelievable light and compact with only 1.35kg
- Quiet series: sound pressure only 83 DbA
- "m7's unique lazy design" that can operate forward/reverse switch with one hand.
- Twin-hammer impact mechanism provides more torque power and stability, and balanced impact can reduce the vibration.
- Ergonomic switch design well suited for operator's hand that provides fingers with most comfortability and controllability.
- m7's unique shark fin shaped body design that creates an esthetics of speed and explosiveness.



## NC-4210

**1/2" DRIVE AIR IMPACT WRENCH**

Twin Hammer Type  
Air inlet : 1/4"

10 pieces in one carton



## NC-4230 NC-4230Q NC-4240

**1/2" DRIVE AIR IMPACT WRENCH**

Twin Hammer Type  
Air inlet : 1/4"

NC-4240 is equipped with 2" extended anvil

8 pieces in one carton





# NC-4216 NC-4226

## 1/2" DRIVE AIR IMPACT WRENCH

Twin Hammer Type

Air inlet : 1/4"

NC-4226 is equipped with 2" extended anvil

**45%**  
Lighter

10 pieces in one carton



# NC-4230NE

5 Sets in one carton

## 1/2" DRIVE AIR IMPACT WRENCH & RATCHET WRENCH

Twin Hammer Type

Air inlet : 1/4"

- NC-4230 :1/2" Drive Air Impact Wrench Twin Hammer
- NE-432 :1/2" Push Air Ratchet Wrench
- 1/4" Air Adaptor Couplings Male Thread Type
- Mini socket set, size:13,17,19,22,24mm



	Square Drive	Bolt Capacity	Torque Range	Max Torque		Free Speed	Avg. Air Consumption	Air Pressure	Overall Length	Net Weight		Air Hose	Sound Pressure	Vibration Level
	Inch	Inch (mm)	FT-LB (Nm)	FT-LB	Nm	R.P.M	CFM (L/min)	PSI (bar)	Inch (mm)	LBS	kg	Inch	dBA	m/s <sup>2</sup>
NC-4130	1/2"	5/8"(16)	180-400(244-542)	600	813	9000	4.5(127)	90(6.3)	5-9/16"(142)	3.55	1.61	3/8"	93	1.2
NC-4210	1/2"	5/8"(16)	150-350(203-475)	400	542	10000	4.2(119)	90 (6.3)	5-5/8"(142)	3.5	1.60	3/8"	90.6	2.8
NC-4230	1/2"	3/4"(19)	180-500(244-678)	700	949	7500	4.5(127)	90(6.3)	5-15/32"(164)	5.5	2.50	3/8"	87	4.5
NC-4230Q	1/2"	3/4"(19)	180-500(244-678)	650	881	6500	4.5(127)	90(6.3)	6-15/32"(164)	5.5	2.50	3/8"	85	4.5
NC-4232Q	1/2"	5/8"(16)	100-400(136-542)	550	746	10000	4.0(113)	90(6.3)	4-3/4"(120)	3.0	1.38	3/8"	83	3.7
NC-4240	1/2"	3/4"(19)	180-500(244-678)	700	949	7500	4.5(127)	90(6.3)	8-15/32"(215)	5.7	2.60	3/8"	87	4.5
NC-4216	1/2"	5/8"(16)	180-400(244-542)	650	881	9000	4.2(119)	90(6.3)	7-3/4"(195)	4.4	2.00	3/8"	93.9	4.5
NC-4226	1/2"	5/8"(16)	180-400(244-542)	650	881	9000	4.2(119)	90(6.3)	8-7/8"(225)	4.8	2.20	3/8"	93.9	4.5

# AIR IMPACT WRENCH

## NC-4255PVC

Protective cover



The NC-4255PVC Protective cover can apply on NC-6255



## NC-6255Q NC-6255QH

**3/4" DRIVE AIR IMPACT WRENCH** Twin Hammer Type  
Air inlet : 1/4"

- Light weight 1.9kg
- The front housing & back head cover made by magnesium alloy
- Durability composite material

8 pieces in one carton



PATENT GREASE HOLE FOR EZ GREASE VERSION ONLY

EZ GREASE



Exhaust



## NC-6236 NC-6236Q

**3/4" DRIVE AIR IMPACT WRENCH**

Twin Hammer Type  
Air inlet : 1/4"

**33%**  
Lighter

- Ultimate power reach 1200 ft-lb under 5seconds.
- Does the toughest job efficiently with industrial level quality & durability.

8 pieces in one carton



Exhaust



## NC-6210 / 6210Q NC-6220

**3/4" DRIVE AIR IMPACT WRENCH**

Twin Hammer Type  
Air inlet : 1/4"

**76%**  
Lighter

NC-6220 is equipped with 6" extended anvil

8 pieces in one carton



Exhaust



# NC-6266 NC-6266-6

## 3/4" DRIVE AIR IMPACT WRENCH

Twin Hammer Type

Air inlet : 3/8"

NC-6266-6 is equipped with 6" extended anvil

6 pieces in one carton

- Torque output 1500ft-lb reached in 5 seconds.
- Light weight 2.95kg.
- The front housing and back head cover made by magnesium alloy.
- Durability composite material.
- Special alloy steel impact mechanism to keep longer life time.



**MIGHTY POWER  
MIGHTY LIGHT**



# NC-6217

## 3/4" DRIVE AIR IMPACT WRENCH

Twin Hammer Type

Air inlet : 3/8"

4 pieces in one carton

- Alloy steel forward/reverse switch
- torque output 1400ft-lb reached in 5 seconds
- Special Alloy Steel impact mechanism to keep longer life time.



# NC-6213

## 3/4" DRIVE AIR IMPACT WRENCH

Twin Hammer Type

Air inlet : 3/8"

5 pieces in one carton

- Composite material



	Square Drive	Bolt Capacity	Torque Range	Max Torque		Free Speed	Avg. Air Consumption	Air Pressure	Overall Length	Net Weight		Air Hose	Sound Pressure	Vibration Level
	Inch	Inch (mm)	FT-LB (Nm)	FT-LB	Nm	R.P.M	CFM (L/min)	PSI (bar)	Inch (mm)	LBS	kg	Inch	dBA	m/s <sup>2</sup>
NC-6217	3/4"	1-1/4"(30)	200-1300(271-1762)	1400	1898	4800	5.4(153)	90(6.3)	8-15/32" (215)	11.0	5.00	1/2"	92.0	6.1
NC-6213	3/4"	1-1/16"(27)	200-1000(271-1356)	1200	1627	6000	6.9(195)	90(6.3)	9-7/16" (239)	8.5	3.88	1/2"	92.0	5.0
NC-6210	3/4"	3/4"(19)	180-600(244-810)	700	1017	7500	4.5(127)	90(6.3)	6-45/64" (170)	5.6	2.55	3/8"	87.0	4.5
NC-6210Q	3/4"	3/4"(19)	180-600(244-810)	700	1017	6500	4.5(127)	90(6.3)	6-45/64" (170)	5.6	2.55	3/8"	85.0	4.5
NC-6220	3/4"	3/4"(19)	180-600(244-810)	750	1017	7500	4.5(127)	90(6.3)	12-23/32" (323)	6.7	3.08	3/8"	85.0	4.5
NC-6236	3/4"	1"(25)	200-900(271-1220)	1200	1627	7500	5.5(155)	90(6.3)	6-45/64" (171)	5.9	2.68	3/8"	87.0	4.5
NC-6236Q	3/4"	1"(25)	200-900(271-1220)	1200	1627	7500	5.5(155)	90(6.3)	6-45/64" (171)	5.9	2.68	3/8"	83.0	4.5
NC-6255Q	3/4"	1"(25)	200-1100(271-1491)	1400	1890	8500	4.8(136)	90(6.3)	7-13/16" (198)	4.2	1.90	3/8"	85.0	4.7
NC-6255QH	3/4"	1"(25)	200-1100(271-1491)	1400	1898	8500	4.8(136)	90(6.3)	7-13/16" (198)	4.2	1.90	3/8"	85.0	4.7
NC-6266	3/4"	1-1/4"(30)	200-1300(271-1760)	1500	2034	6000	5.9(169)	90(6.3)	8-1/16" (205)	6.5	2.95	1/2"	88.0	5.9
NC-6266-6	3/4"	1-1/4"(30)	200-1300(271-1760)	1500	2034	6000	5.9(169)	90(6.3)	14-1/16" (355)	7.9	3.60	1/2"	88.0	5.9

# AIR IMPACT WRENCH



## NC-6113 / 6123

**3/4" DRIVE AIR IMPACT WRENCH** Pin Clutch Type  
Air inlet : 1/4"

NC-6123 is equipped with 6" extended anvil

4 pieces in one carton

- Common applications include maintenance of buses, trucks, farm machinery and construction equipment



## NC-6215 / 6225

**3/4" DRIVE AIR IMPACT WRENCH**

New Twin Hammer Type  
Air inlet : 1/4"

4 pieces in one carton

### FEATURES

- Light weight 1.8kg
- Balanced weighted body that offers comfort feeling



NC-6225 is equipped with 6" extended anvil



## NC-6216 / 6226

**3/4" DRIVE AIR IMPACT WRENCH** New Twin Hammer Type  
Air inlet : 3/8"

NC-6226 is equipped with 6" extended anvil

4 pieces in one carton

- Composite material

**NC-6216PVC**  
Protective cover



**10%**  
Lighter



## NC-6218

**3/4" DRIVE AIR IMPACT WRENCH**

Twin Hammer Type  
Air inlet : 1/2"

2 pieces in one carton



## NC-8212

**1" DRIVE AIR IMPACT WRENCH**

New Twin Hammer Type  
Air inlet : 3/8"

4 pieces in one carton



## NC-8217

**1" DRIVE AIR IMPACT WRENCH**

Twin Hammer Type  
Air inlet : 3/8"

4 pieces in one carton



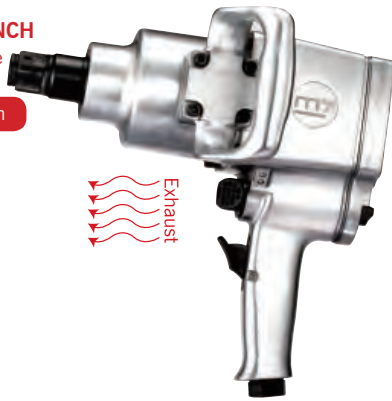


## NC-8219

**1" DRIVE AIR IMPACT WRENCH**

New Twin Hammer Type  
Air inlet : 1/2"

2 pieces in one carton



## NC-8237 / 8247

**1" DRIVE AIR IMPACT WRENCH**

Twin Hammer Type  
Air inlet : 3/8"

4 pieces in one carton



NC-8247 is equipped with 6" extended anvil



## NC-8266P / 8266P-6

**1" DRIVE AIR IMPACT WRENCH**

Twin Hammer Type  
Air inlet : 1/2"

4 pieces in one carton

**33%**  
Lighter

**38%**  
More Powerful



NC-8266-6 is equipped with 6" extended anvil



	Square Drive	Bolt Capacity	Torque Range	Max Torque		Free Speed	Avg. Air Consumption	Air Pressure	Overall Length	Net Weight		Air Hose	Sound Pressure	Vibration Level
	Inch	Inch (mm)	FT-LB (Nm)	FT-LB	Nm	R.P.M	CFM (L/min)	PSI (bar)	Inch (mm)	LBS	kg	Inch	dBA	m/s <sup>2</sup>
NC-6113	3/4"	1"(25)	150-600(203-814)	850	1153	4500	7.0(198)	90(6.3)	10" (252)	10.0	4.50	1/2"	94.3	7.2
NC-6123	3/4"	1"(25)	150-600(203-814)	850	1163	4500	7.0(198)	90(6.3)	14-3/16" (350)	11.6	5.30	1/2"	94.3	7.2
NC-6225	3/4"	1"(25)	180-500(244-810)	900	1220	6500	7.0(198)	90(6.3)	13-3/4" (350)	10.8	4.90	1/2"	91.5	10.8
NC-6215	3/4"	1"(25)	180-600(244-810)	900	1220	6500	7.0(198)	90(6.3)	9-7/32" (234)	10.0	4.50	1/2"	91.5	10.8
NC-6216	3/4"	1-1/16"(27)	200-1000(271-1355)	1200	1627	6000	6.0(169)	90(6.3)	9-1/4"(235)	9.0	4.10	1/2"	91.2	5.0
NC-6218	3/4"	1-1/16"(27)	200-1400(271-1898)	1500	2034	6000	6.3(182)	90(6.3)	12-9/16"(320)	12.5	5.70	1/2"	106.0	3.3
NC-6226	3/4"	1-1/16"(27)	200-1000(271-1356)	1200	1627	6000	6.0(170)	90(6.3)	13-3/4"(350)	9.9	4.50	3/8"	91.2	5.0
NC-8212	1"	1-1/16"(27)	200-1000(271-1356)	1300	1726	6000	6.0(170)	90(6.3)	9-1/4"(235)	9.6	4.40	1/2"	91.2	5.0
NC-8217	1"	1-1/4"(30)	200-1300(271-1762)	1500	2034	4800	5.4(153)	90(6.3)	8-3/4"(222)	11.0	5.00	1/2"	92.0	6.1
NC-8219	1"	1-7/16"(36)	200-1600(271-2170)	1800	2441	4000	11(311)	90(6.3)	12-13/32"(315)	21.6	9.84	1/2"	103.4	16.7
NC-8237	1"	1-3/8"(33)	200-1500(271-2034)	1800	2441	4500	5.4(153)	90(6.3)	8-3/4"(222)	12.8	5.70	1/2"	92.0	6.1
NC-8247	1"	1-3/8"(33)	200-1500(271-2034)	1800	2441	4500	5.4(153)	90(6.3)	15-9/16"(395)	14.3	6.50	1/2"	92.0	6.1
NC-8266P	1"	1-3/8"(35)	200-1800(270-2400)	2300	3118	4500	5.4(153)	90(6.3)	10"(256)	13	5.90	1/2"	92.0	6.1
NC-8266P-6	1"	1-3/8"(35)	200-1800(270-2400)	2300	3118	4500	5.4(153)	90(6.3)	10"(256)	13.86	6.30	1/2"	92.0	6.1



# AIR IMPACT WRENCH

AIR IMPACT WRENCH



## NC-8343 NC-8343-8

**1" DRIVE AIR** Pin Less Type  
**IMPACT WRENCH** Air inlet : 1/2"  
NC-8343-8 is equipped with 8" extended anvil

- M7 UNIQUE SHARK SHAPE DESIGN ON BOTH SIDES
- NEW DESIGNED UP EXHAUST
- LOW VIBRATION OFFERS A SMOOTH OPERATION
- POWERFUL & DURABLE

1 piece in one carton



## NC-8211 NC-8221

**1" DRIVE AIR** Twin Hammer Type  
**IMPACT WRENCH** Air inlet : 1/2"  
NC-8221 is equipped with 6" extended anvil

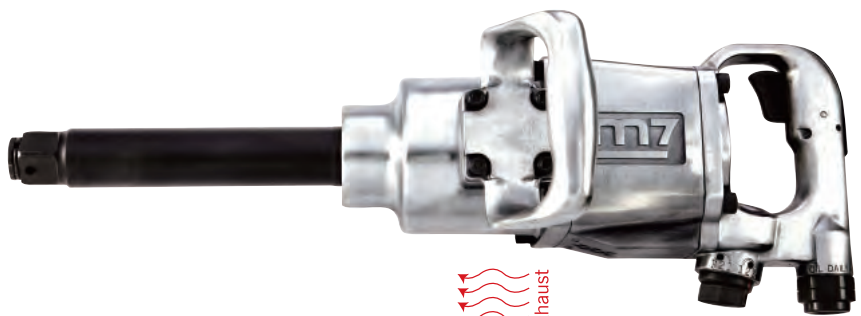
1 piece in one carton



## NC-8232

**1" DRIVE AIR** New Twin Hammer Type  
**IMPACT WRENCH** Air inlet : 1/2"

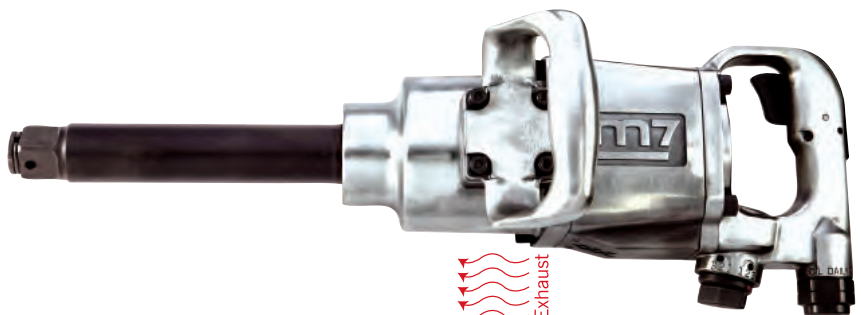
1 piece in one carton



## NC-8311 NC-8351

**1" DRIVE AIR** Pin Less Type  
**IMPACT WRENCH** Air inlet : 1/2"  
NC-8351 is equipped with 6" extended anvil

2 pieces in one carton





## NC-8216 NC-8226 NC-8226Q

**1" DRIVE AIR IMPACT WRENCH** Twin Hammer Type  
Air inlet : 1/2"

NC-8226 is equipped with 6" extended anvil

2 pieces in one carton

**48%**  
Lighter

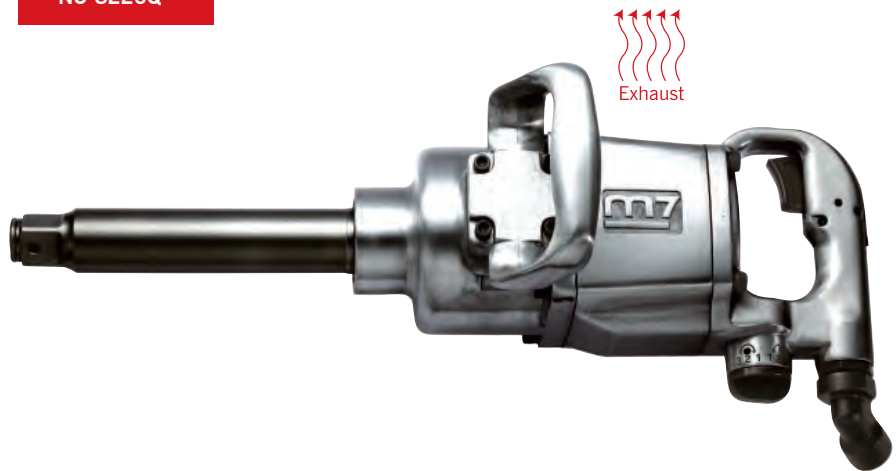


## NC-8341

**1" DRIVE AIR IMPACT WRENCH** Pin Less Type  
Air inlet : 1/2"

NC-8341 is equipped with 6" extended anvil

1 piece in one carton



	Square Drive	Bolt Capacity	Torque Range	Max Torque	Free Speed	Avg. Air Consumption	Air Pressure	Overall Length	Net Weight	Air Hose	Sound Pressure	Vibration Level
	Inch	Inch (mm)	FT-LB (Nm)	FT-LB Nm	R.P.M	CFM (L/min)	PSI (bar)	Inch (mm)	LBS kg	Inch	dBA	m/s <sup>2</sup>
NC-8216	1"	1-3/8"(33)	200-1600(271-2170)	1800	2441	6000	9.0(254)	90(6.3)	13-1/2"(343)	15.5 7.00	102.0	9.3
NC-8226	1"	1-3/8"(33)	200-1600(271-2170)	1800	2441	6000	9.0(254)	90(6.3)	19-3/16"(487)	18.4 8.40	102.0	9.3
NC-8226Q	1"	1-3/8"(33)	200-1600(271-2170)	1800	2441	6000	9.0(254)	90(6.3)	19-3/16"(487)	18.4 8.40	90	9.3
NC-8211	1"	1-3/8"(33)	200-1600(271-2170)	1800	2441	5000	10.0(284)	90(6.3)	14-8/15"(370)	22.2 10.10	100.0	10.0
NC-8221	1"	1-3/8"(33)	200-1600(271-2170)	1800	2441	5000	10.0(284)	90(6.3)	20-7/8"(530)	25.2 11.50	100.0	10.0
NC-8232	1"	1-7/16"(36)	200-1600(271-2170)	1800	2441	4000	11.0(311)	90(6.3)	20-13/32"(518)	24.8 11.30	102.0	11.5
NC-8343	1"	1-3/8"(33)	200-1600(271-2170)	1800	2441	3900	11.5(325)	90(6.3)	15"(381)	27.7 12.56	103.0	6.3
NC-8343-8	1"	1-3/8"(33)	200-1600(271-2170)	1800	2441	3900	11.5(325)	90(6.3)	23"(590)	30.6 13.9	103.0	6.3
NC-8311	1"	1-3/8"(33)	200-1600(271-2170)	1800	2441	4000	11.5(325)	90(6.3)	15"(380)	24.0 10.90	101.0	7.3
NC-8351	1"	1-3/8"(33)	200-1600(271-2170)	1800	2441	4000	11.5(325)	90(6.3)	20"(510)	27.6 12.50	101.0	7.3
NC-8341	1"	1-3/8"(33)	200-1600(271-2170)	1800	2441	4000	11.5(325)	90(6.3)	20"(510)	27.6 12.50	97.0	6.3

# AIR IMPACT WRENCH

AIR IMPACT WRENCH



## NC-8382 NC-8382-8

**1" DRIVE AIR** Pin Less Type  
**IMPACT WRENCH** Air inlet : 1/2"  
NC-8382-8 is equipped with 8" extended anvil



**38%**  
more  
Powerful

**40%**  
Lighter

- Max. torque 2500 ft-lb (reverse in 5 seconds).
- Weight 30% less comparing with equal torque output models to reduce physical loading 30%.
- Torque output 38% higher comparing with equal weight models.
- Two-stage trigger for easier operation.

**NC-8382** 2 pieces in one carton

**NC-8382-8** 1 piece in one carton



## NC-8242 NC-8242-8

**1" DRIVE AIR** Twin Hammer Type  
**IMPACT WRENCH** Air inlet : 1/2"  
NC-8242-8 is equipped with 8" extended anvil

**NC-8242** 2 pieces in one carton

**NC-8242-8** 1 piece in one carton



## NC-8252 NC-8262

**1" DRIVE AIR** Twin Hammer Type  
**IMPACT WRENCH** Air inlet : 1/2"  
NC-8262 is equipped with 6" extended anvil

1 piece in one carton





## NC-8322 NC-8342

**1" DRIVE AIR** Pin Less Type  
**IMPACT WRENCH** Air inlet : 1/2"  
NC-8342 is equipped with 8" extended anvil

1 piece in one carton



## NC-8362 NC-8372

**1" DRIVE AIR** Pin Less Type  
**IMPACT WRENCH** Air inlet : 1/2"  
NC-8372 is equipped with 6" extended anvil

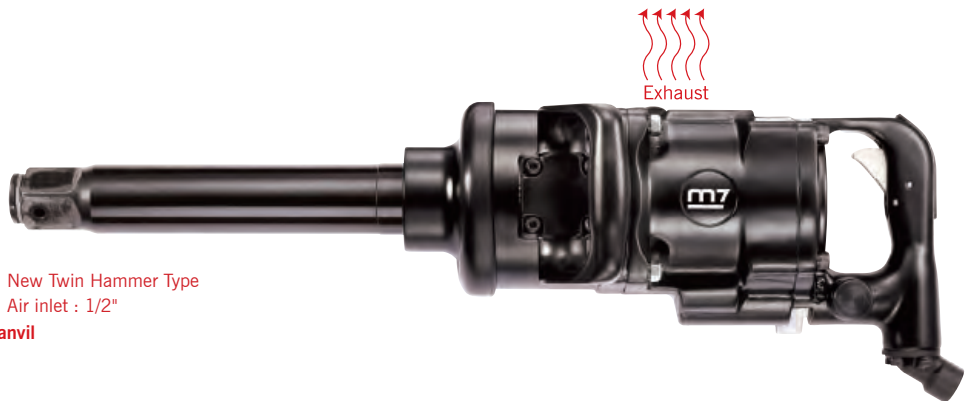
1 piece in one carton



## NC-9223 NC-9243

**1-1/2" DRIVE AIR** New Twin Hammer Type  
**IMPACT WRENCH** Air inlet : 1/2"  
NC-9243 is equipped with 8" extended anvil

1 piece in one carton



	Square Drive	Bolt Capacity	Torque Range	Max Torque		Free Speed	Avg. Air Consumption	Air Pressure	Overall Length	Net Weight		Air Hose	Sound Pressure	Vibration Level
	Inch	Inch (mm)	FT-LB (Nm)	FT-LB	Nm	R.P.M	CFM (L/min)	PSI (bar)	Inch (mm)	LBS	kg	Inch	dBA	m/s <sup>2</sup>
NC-8382	1"	1-9/16"(40)	200-2000(271-2710)	2500	3390	5000	15.9(450)	90(6.3)	14-17/32"(370)	22.0	11.00	1/2"	100.0	6.4
NC-8382-8	1"	1-9/16"(40)	200-2000(271-2710)	2500	3390	5000	15.9(450)	90(6.3)	22-15/32"(570)	27.5	12.50	1/2"	100.0	6.4
NC-8242	1"	1-9/16"(40)	200-2000(271-2710)	2500	3390	5000	15.9(450)	90(6.3)	14-17/32"(370)	23.1	10.50	1/2"	100.0	6.4
NC-8242-8	1"	1-9/16"(40)	200-2000(271-2710)	2500	3390	5000	15.9(450)	90(6.3)	22-15/32"(570)	26.2	11.90	1/2"	100.0	6.4
NC-8252	1"	1-7/16"(36)	200-2000(271-2170)	2400	3250	4000	10.0(284)	90(6.3)	15-3/8"(390)	26.6	12.10	1/2"	100.0	10.0
NC-8262	1"	1-7/16"(36)	200-2000(271-2170)	2400	3250	4000	10.0(284)	90(6.3)	22"(560)	29.7	13.50	1/2"	100.0	10.0
NC-8322	1"	1-7/16"(36)	200-2000(271-2170)	2500	3390	3300	11.0(311)	90(6.3)	17-5/16"(440)	34.2	15.50	1/2"	93.9	8.8
NC-8342	1"	1-7/16"(36)	200-2000(271-2170)	2500	3390	3300	11.0(311)	90(6.3)	24-3/8"(619)	38.0	17.30	1/2"	93.9	8.8
NC-8362	1"	1-7/16"(36)	200-2000(271-2170)	2500	3390	3700	11.0(284)	90(6.3)	17-7/8"(455)	35.2	16.00	1/2"	93.9	8.8
NC-8372	1"	1-7/16"(36)	200-2000(271-2170)	2500	3390	3700	11.0(284)	90(6.3)	24-7/32"(615)	38.7	17.60	1/2"	93.9	8.8
NC-9223	1-1/2"	2"(50)	200-3000(271-4065)	3500	4746	3000	16.0(453)	90(6.3)	17-3/4"(450)	43.2	19.70	3/4"	104.5	8.8
NC-9243	1-1/2"	2"(50)	200-3000(271-4065)	3500	4746	3000	16.0(453)	90(6.3)	24-1/4"(616)	50.2	22.8	3/4"	104.5	8.8

# AIR IMPACT WRENCH

## NC-4232Q KIT

1/2" DRIVE AIR IMPACT WRENCH 11 PCS

### FEATURES

- 1pc - 1/2" Air Impact Wrench
- 7pcs - Impact sockets, MA411M13, 17, 19, 21, 22, 24, 27
- 1pc - 5" Extension bar
- 1pc - Mini Lubricator SW-12
- 1pc - 1/4" plug

5 pieces in one carton



## NC-4233Q KIT

1/2" DRIVE AIR IMPACT WRENCH 11 PCS

### FEATURES

5 pieces in one carton

- 1pc - 1/2" Air Impact Wrench
- 7pcs - Impact sockets, MA411M13, 17, 19, 21, 22, 24, 27
- 1pc - 5" Extension bar
- 1pc - Mini Lubricator SW-12
- 1pc - 1/4" plug



## NC-4255Q KIT

1/2" DRIVE AIR IMPACT WRENCH 11 PCS

### FEATURES

5 pieces in one carton

- 1pc - 1/2" Air Impact Wrench
- 7pcs - Impact sockets, MA411M13, 17, 19, 21, 22, 24, 27
- 1pc - 5" Extension bar
- 1pc - Mini Lubricator SW-12
- 1pc - 1/4" plug



# NC-4650 KIT

1/2"

DRIVE AIR  
IMPACT WRENCH 11 PCS

## FEATURES

5 pieces in one carton

- 1pc - 1/2" Air Impact Wrench
- 7pcs - Impact sockets,  
MA411M13, 17, 19, 21, 22, 24, 27
- 1pc - 5" Extension bar
- 1pc - Mini Lubricator SW-12
- 1pc - 1/4" plug



# NC-6236Q KIT

3/4" DRIVE AIR  
IMPACT WRENCH 11 PCS

## FEATURES

2 pieces in one carton

- 1pc - 3/4" Air Impact Wrench
- 7pcs - Impact sockets,  
MA611M24, 27, 30, 32, 33, 34, 36
- 1pc - 7" Extension bar
- 1pc - Mini Lubricator SW-12
- 1pc - 1/4" plug



# NC-6255Q KIT

3/4" DRIVE AIR  
IMPACT WRENCH 11 PCS

## FEATURES

2 pieces in one carton

- 1pc - 3/4" Air Impact Wrench
- 7pcs - Impact sockets,  
MA611M24, 27, 30, 32, 33, 34, 36
- 1pc - 7" Extension bar
- 1pc - Mini Lubricator SW-12
- 1pc - 1/4" plug



# AIR IMPACT WRENCH

AIR IMPACT WRENCH

## NC-0410KIT

1/2" DRIVE AIR IMPACT WRENCH

10 PCS

5 pieces in one carton

- 1pc - Air Impact Wrench
- 5pcs - Impact sockets, 6 points, standard length 11, 13 mm, deep version 17, 19, 21mm
- 1pc - Extension bar 3"
- 1pc - Mini Oiler 1/4" female x 1/4" male
- 1pc - 1/4" plug
- 1pc - Oil box



## NC-0415KIT

1/2" DRIVE AIR IMPACT WRENCH 15 PCS

- 1pc-1/2" Air Impact Wrench
- 10pcs-Impact sockets, 6 points, standard length 9, 10, 11, 13, 14, 17, 19, 22, 24, 27mm
- 1pc-Extension bar 5"
- 1pc-Allen Key : 4mm
- 1pc-Mini Oiler 1/4" female x 1/4" male
- 1pc-1/4" plug

5 pieces in one carton



# NC-0615KIT

3/4" DRIVE AIR IMPACT WRENCH 15 PCS

- 1pc-3/4" Air Impact Wrench
- 8pcs-Impact sockets, 6 points, standard length 26, 27, 29, 30, 32, 35, 36, 38mm
- 1pc-Extension bar 7"
- 1pc-Universal Joint
- 2pcs-Allen Key : 4mm, 5mm
- 1pc-Mini Oiler 1/4"-6113,6215 , 3/8"-6216
- 1pc-1/4" plug - 6113.6215 , 3/8" plug - 6216
- 1pc-O-Ring&Pin

2 pieces in one carton



NC-0615M0  
NC-6113



NC-0615M1  
NC-6216



NC-0615M2  
NC-6215



# NC-4255Q-41KIT NC-4255Q-41KITA05

2 pieces in one carton

## FEATURES

- Expert Quality, Commonly used in car repair special sets .
- Supplied complete in a two tone 1/4 drawer EVA insert tray made from closed cell foam
- suitable to be used in M7 Expert tool chests and other manufacturers similar tool chests.
- Set with torque wrench for user correction.



Can be customized



NC-4255Q-41KITA05





### NC-3111K01

Anvil Ass'y	Hammer	Rotor Blade	Gasket	O-Ring	Muffler Elemen
Rubber Grip	Retaining Ring	Washer	Motor Clamp Washer	Cylinder Dowel	Rubber Cap

### NC-3210K01

Anvil Ass'y	Hammer	Rotor Blade	Gasket	O-Ring	Muffler Elemen
Rubber Grip	Retaining Ring	Washer	Motor Clamp Washer	Cylinder Dowel	Rubber Cap

### NC-3610QK01

Anvil Ass'y	Hammer	Rotor Blade	Gasket	O-Ring	Muffler Elemen
Rubber Grip	Retaining Ring	Washer	Motor Clamp Washer	Cylinder Dowel	Rubber Cap

### NC-3611QK01

Anvil Ass'y	Hammer	Rotor Blade	Gasket	O-Ring	Muffler Elemen
Rubber Grip	Retaining Ring	Washer	Motor Clamp Washer	Cylinder Dowel	Rubber Cap

### NC-4210K01

Anvil Ass'y	Hammer	Rotor Blade	Gasket	O-Ring	Muffler Elemen
Rubber Grip	Retaining Ring	Washer	Motor Clamp Washer	Cylinder Dowel	Rubber Cap

### NC-4213K01

Anvil Ass'y	Hammer	Rotor Blade	Gasket	O-Ring	Muffler Elemen
Rubber Grip	Retaining Ring	Washer	Motor Clamp Washer	Cylinder Dowel	Rubber Cap

### NC-4216K01

Anvil Ass'y	Hammer	Rotor Blade	Gasket	O-Ring	Muffler Elemen
Rubber Grip	Retaining Ring	Washer	Motor Clamp Washer	Cylinder Dowel	Rubber Cap

### NC-6266K01

Anvil Ass'y	Hammer	Rotor Blade	Gasket	O-Ring	Muffler Elemen
Rubber Grip	Retaining Ring	Washer	Motor Clamp Washer	Cylinder Dowel	Rubber Cap

### NC-4233K01

Anvil Ass'y	Hammer	Rotor Blade	Gasket	O-Ring	Muffler Elemen
Rubber Grip	Retaining Ring	Washer	Motor Clamp Washer	Cylinder Dowel	Rubber Cap

### NC-4236K01

Anvil Ass'y	Hammer	Rotor Blade	Gasket	O-Ring	Muffler Elemen
Rubber Grip	Retaining Ring	Washer	Motor Clamp Washer	Cylinder Dowel	Rubber Cap

### NC-4255K01

Anvil Ass'y	Hammer	Rotor Blade	Gasket	O-Ring	Muffler Elemen
Rubber Grip	Retaining Ring	Washer	Motor Clamp Washer	Cylinder Dowel	Rubber Cap

### NC-4258K01

Anvil Ass'y	Hammer	Rotor Blade	Gasket	O-Ring	Muffler Elemen
Rubber Grip	Retaining Ring	Washer	Motor Clamp Washer	Cylinder Dowel	Rubber Cap

### NC-4610QK01

Anvil Ass'y	Hammer	Rotor Blade	Gasket	O-Ring	Muffler Elemen
Rubber Grip	Retaining Ring	Washer	Motor Clamp Washer	Cylinder Dowel	Rubber Cap

### NC-4611QK01

Anvil Ass'y	Hammer	Rotor Blade	Gasket	O-Ring	Muffler Elemen
Rubber Grip	Retaining Ring	Washer	Motor Clamp Washer	Cylinder Dowel	Rubber Cap

### NC-4650K01

Anvil Ass'y	Hammer	Rotor Blade	Gasket	O-Ring	Muffler Elemen
Rubber Grip	Retaining Ring	Washer	Motor Clamp Washer	Cylinder Dowel	Rubber Cap

### NC-4217K01

Anvil Ass'y	Hammer	Rotor Blade	Gasket	O-Ring	Muffler Elemen
Rubber Grip	Retaining Ring	Washer	Motor Clamp Washer	Cylinder Dowel	Rubber Cap

### NC-6216K01

Anvil Ass'y	Hammer	Rotor Blade	Gasket	O-Ring	Muffler Elemen
Rubber Grip	Retaining Ring	Washer	Motor Clamp Washer	Cylinder Dowel	Rubber Cap

Repair kit

**NC-6218K01**

Anvil Ass'y	Hammer	Rotor Blade	Gasket	O-Ring	Muffler Elemen
Rubber Grip	Retaining Ring	Washer	Motor Clamp Washer	Cylinder Dowel	Rubber Cap

**NC-6210K01**

Anvil Ass'y	Hammer	Rotor Blade	Gasket	O-Ring	Muffler Elemen
Rubber Grip	Retaining Ring	Washer	Motor Clamp Washer	Cylinder Dowel	Rubber Cap

**NC-6236K01**

Anvil Ass'y	Hammer	Rotor Blade	Gasket	O-Ring	Muffler Elemen
Rubber Grip	Retaining Ring	Washer	Motor Clamp Washer	Cylinder Dowel	Rubber Cap

**NC-6255K01**

Anvil Ass'y	Hammer	Rotor Blade	Gasket	O-Ring	Muffler Elemen
Rubber Grip	Retaining Ring	Washer	Motor Clamp Washer	Cylinder Dowel	Rubber Cap

**NE-399/499K01**

Anvil Ass'y	Hammer	Ratchet Anvil Ass'y	Planet Gear Ass'y	Rotor Blade	Gasket	O-Ring
Work Spindle	Needle Bearing	Ball Bearing	Muffler	Washer	Planet Pin	

**NE-251/351K01**

Anvil Ass'y	Hammer	Ratchet Anvil Ass'y	Planet Gear Ass'y	Rotor Blade	Gasket	O-Ring
Work Spindle	Needle Bearing	Ball Bearing	Muffler	Washer	Planet Pin	

**NE-352K01**

Anvil Ass'y	Hammer	Ratchet Anvil Ass'y	Planet Gear Ass'y	Rotor Blade	Gasket	O-Ring
Work Spindle	Needle Bearing	Ball Bearing	Muffler	Washer	Planet Pin	

**NE-321/421K01**

Anvil Ass'y	Hammer	Ratchet Anvil Ass'y	Planet Gear Ass'y	Rotor Blade	Gasket	O-Ring
Work Spindle	Needle Bearing	Ball Bearing	Muffler	Washer	Planet Pin	

**NE-332/432K01**

Anvil Ass'y	Hammer	Ratchet Anvil Ass'y	Planet Gear Ass'y	Rotor Blade	Gasket	O-Ring
Work Spindle	Needle Bearing	Ball Bearing	Muffler	Washer	Planet Pin	

**NE-343/443K01**

Anvil Ass'y	Hammer	Ratchet Anvil Ass'y	Planet Gear Ass'y	Rotor Blade	Gasket	O-Ring
Work Spindle	Needle Bearing	Ball Bearing	Muffler	Washer	Planet Pin	

**NE-461K01**

Anvil Ass'y	Hammer	Ratchet Anvil Ass'y	Planet Gear Ass'y	Rotor Blade	Gasket	O-Ring
Work Spindle	Needle Bearing	Ball Bearing	Muffler	Washer	Planet Pin	

**NE-483K01**

Anvil Ass'y	Hammer	Ratchet Anvil Ass'y	Planet Gear Ass'y	Rotor Blade	Gasket	O-Ring
Work Spindle	Needle Bearing	Ball Bearing	Muffler	Washer	Planet Pin	

**AIR  
IMPACT  
RATCHET  
WRENCH**

**AIR  
IMPACT  
RATCHET  
WRENCH**



# NE-3901 NE-4901

**3/8" & 1/2" DRIVE AIR IMPACT RATCHET WRENCH**

Air inlet : 1/4"



## FEATURES

1. No force is generated when used
2. Strike device structure makes it easier to fix the nut
3. Small vibration frequency
4. Improve instant torque
5. Ergonomic design, comfort and convenience for using at confined



# NE-3920

**3/8" DRIVE AIR IMPACT RATCHET WRENCH**

10 pieces in one carton

Unicorn Hammer Type

Air inlet : 1/4"



## FEATURES

- Ratchet wrench design (Patented impact hammer mechanism)
- Non-reaction
- Compact, lightweight, dust free head-sealed
- Ergonomic design, comfort and convenience for using at confined area



# NE-462

Pin Clutch Type  
Air inlet : 1/4"

**1/2" DRIVE AIR IMPACT RATCHET WRENCH**

10 pieces in one carton

- Pin-Clutch design mechanism generates 100 Nm torque output.
- Fasten to Stop design provides comfortable feel.



# NE-399/499

Jumbo Hammer Type  
Air inlet : 1/4"

**3/8" & 1/2" DRIVE AIR ANGLE IMPACT WRENCH**

8 pieces in one carton

- Max. torque 250ft-lb.
- Forward & reverse ring control.
- Composite rubber covered grip to increase holding feel.
- Jumbo-hammer mechanism.



	Square Drive	Torque Range	Max Torque		Free Speed	Avg. Air Consumption	Air Pressure	Overall Length	Net Weight		Air Hose	Sound Pressure	Vibration Level
	Inch	FT-LB (Nm)	FT-LB	Nm	R.P.M	CFM (L/min)	PSI (bar)	Inch (mm)	LBS	kg	Inch	dBA	m/s <sup>2</sup>
NE-3901	3/8"	5-35(7-47)	40	54	1100	3.1(87.1)	90(6.3)	6-1/4"(159)	1.32	0.6	3/8"	89.0	2.2
NE-4901	1/2"	10-40(13.5-54)	50	68	1100	3.0(69.4)	90 (6.3)	6-1/4"(159)	1.48	0.67	3/8"	89.0	2.2
NE-3920	3/8"	5-37(7-50)	50	68	700	3.1(87)	90(6.3)	6.5"(164)	1.32	0.6	3/8"	88.0	1.85
NE-462	1/2"	10-55(13.5-74)	74	100	200	4.0(113.28)	90 (6.3)	13"(330)	4.1	1.88	3/8"	84.0	2.5
NE-399	3/8"	50-130(68-176)	180	244	7500	2.45(69.4)	90 (6.3)	13-3/8"(340)	4.0	1.83	3/8"	93.0	9.9
NE-499	1/2"	50-150(68-176)	250	339	7500	2.45(69.4)	90 (6.3)	13-3/8"(340)	4.0	1.83	3/8"	93.0	9.9

# AIR RATCHET WRENCH

AIR RATCHET WRENCH



## NE-488

**1/2" DRIVE AIR RATCHET WRENCH** 12 pieces in one carton

Air inlet : 1/4"



## FEATURES



Swivel Head. (up and down 30 degrees).  
Body TPR soft handle to reduce the sense of vibration.  
Exhaust hood all angle adjustable design.



## NE-332/432

**3/8" & 1/2" DRIVE AIR RATCHET WRENCH** Air inlet : 1/4"

- Quick release button enables fast and efficient socket change.
- Allows fast positioning on nut.
- Hardened gears, needle and ball bearings provide longer lifetime.
- Ultimate Torque: 60ft-lbs.

20 pieces in one carton

**20%** Longer Life-time

Compare With ordinary models



## NE-251 1/4" & 3/8" NE-351 DRIVE AIR RATCHET WRENCH

Air inlet : 1/4"



## NE-352 3/8" DRIVE 2 in 1 AIR RATCHET WRENCH

Air inlet : 1/4"



- 3/8" square drive dual use + hex bits

**NE-251R** 1/4" DRIVE  
**NE-351R** 3/8" DRIVE  
**NE-451R** 1/2" DRIVE

**Rubber Handle**

AIR IMPACT  
 RATCHET WRENCH  
 Air inlet : 1/4"



20 pieces in one carton



**NE-261** 1/4" & 3/8"  
**NE-361** DRIVE AIR  
 RATCHET WRENCH  
 Air inlet : 1/4"



**NE-362** 3/8" DRIVE 2 in 1 AIR  
 RATCHET WRENCH  
 Air inlet : 1/4"



- back exhaust design to reduce flying dusts
- NE-361 with 3/8" square drive
- NE-362 with dual-use square drive
- 160mm long suitable for narrow space



**NE-321** 3/8" & 1/2"  
**NE-421** DRIVE AIR  
 RATCHET WRENCH  
 Air inlet : 1/4"

20 pieces in one carton



**NE-343** 3/8" & 1/2"  
**NE-443** DRIVE AIR  
 RATCHET WRENCH  
 Air inlet : 1/4"

10 pieces in one carton



	Square Drive	Torque Range	Max Torque		Free Speed	Avg. Air Consumption	Air Pressure	Overall Length	Net Weight		Air Hose	Sound Pressure	Vibration Level
	Inch	FT-LB (Nm)	FT-LB	Nm	R.P.M	CFM (L/min)	PSI (bar)	Inch (mm)	LBS	kg	Inch	dBA	m/s <sup>2</sup>
NE-488	1/2"	10-40(13.5-54)	60	81	150	4.5(127.4)	90(6.3)	10-13/16"(275)	3.2	1.45	3/8"	85.0	3.9
NE-332	3/8"	10-45"(13.5-51)	60	81	160	4.0(113.28)	90 (6.3)	10-3/8"(265)	2.6	1.22	3/8"	90.5	4.4
NE-432	1/2"	10-45"(13.5-51)	60	81	160	4.0(113.28)	90 (6.3)	10-3/8"(265)	2.6	1.22	3/8"	90.5	5.2
NE-251	1/4"	5-15"(6.7-20)	22	30	350	3.0(84.96)	90 (6.3)	5"(125)	1.1	0.50	3/8"	89.0	4.4
NE-351	3/8"	5-15"(6.7-20)	22	30	350	3.0(84.96)	90 (6.3)	5"(125)	1.1	0.50	3/8"	89.0	4.4
NE-352	3/8"	5-15"(6.7-20)	22	30	350	3.0(84.96)	90 (6.3)	5"(125)	1.1	0.50	3/8"	89.0	4.4
NE-251R	1/4"	5-15"(6.7-20)	22	30	350	3.0(84.96)	90 (6.3)	5"(125)	1.1	0.50	3/8"	89.0	4.4
NE-351R	3/8"	5-15"(6.7-20)	22	30	350	3.0(84.96)	90 (6.3)	5"(125)	1.1	0.50	3/8"	89.0	4.4
NE-451R	1/2"	5-15"(6.7-20)	22	30	350	3.0(84.96)	90 (6.3)	5"(125)	1.1	0.50	3/8"	89.0	4.4
NE-261	1/4"	10-35(13.5-47)	37	50	230	4.6(130)	90 (6.3)	6-5/16"(160)	1.1	0.50	3/8"	88.0	3.0
NE-361	3/8"	10-35(13.5-47)	37	50	230	4.6(130)	90 (6.3)	6-6/16"(160)	1.1	0.50	3/8"	88.0	3.0
NE-321	3/8"	10-35(13.5-47)	50	60	160	4.0(113.28)	90 (6.3)	10-3/8"(265)	2.3	1.04	3/8"	91.0	3.9
NE-421	1/2"	10-35(13.5-47)	50	60	160	4.0(113.28)	90 (6.3)	10-3/8"(265)	2.3	1.04	3/8"	92.0	4.6
NE-343	3/8"	10-55(13.5-74)	75	101.7	160	4.0(113.28)	90 (6.3)	11"(280)	2.8	1.30	3/8"	84.0	4.4
NE-443	1/2"	10-55(13.5-74)	100	135.6	160	4.0(113.28)	90 (6.3)	11"(280)	2.8	1.30	3/8"	84.0	4.4
NE-362	3/8"	10-35(13.5-47)	37	50	230	4.6(130)	90 (6.3)	6-5/16"(160)	1.1	0.50	3/8"	88.0	3.0

# AIR RATCHET WRENCH

AIR RATCHET WRENCH



## NE-499N

### 1/2" DRIVE AIR ANGLE IMPACT WRENCH

Air inlet : 1/4"

- Air Angle Impact Wrench : 1pc (NE-499)
- Stubby impact sockets, 6 points :
- 9pcs 9, 10, 11, 13, 14, 17, 19, 22, 24 mm
- 1/4" plug : 1pc

10 pieces in one carton



## NE-0357

### 3/8" DRIVE AIR RATCHET WRENCH 57PCS

Air inlet : 1/4"

- 1pc Air Ratchet Wrench (NE-352)
- 7pcs 1/4" Dr. socket : 4,5,6,7,8,9,10 mm
- 6pcs 3/8" Dr. socket : 11,12,13,14,15,17 mm
- 40pcs 1/4" Bits
- 1pc 3/8" Extension Bar
- 1pc 1/4" Hex Size shank driver
- 1pc Plug

10 pieces in one carton



## NE-0413 [KIT] NE-0413S [KIT]

### 1/2" DRIVE AIR RATCHET WRENCH Thru-Hole 13pcs

Air inlet : 1/4"

6 pieces in one carton

- 1pc Air Ratchet Wrench(NE-461)
- 8pcs 3/4" Hex Thru-hole socket : 8,9,10,12,13,14,17,19 mm (NE-0413)
- 8pcs 3/4" Hex Thru-hole socket : 5/16",3/8",7/16",1/2",9/16",5/8",11/16",3/4" (NE-0413S)
- 1pc 3" Extension Bar
- 2pcs 1/2" 3/8" Adapter
- 1pc Plug



	Square Drive	Bolt Capacity	Torque Range	Max Torque	Free Speed	Avg. Air Consumption	Air Pressure	Overall Length	Net Weight	Air Hose	Sound Pressure	Vibration Level
	Inch	Inch (mm)	FT-LB (Nm)	FT-LB Nm	R.P.M	CFM (L/min)	PSI (bar)	Inch (mm)	LBS kg	Inch	dBA	m/s <sup>2</sup>
NE-499	1/2"	9/16"(14)	50-150(68-203)	250 339	7500	2.45(69.4)	90(6.3)	13-3/8"(340)	4.0 1.83	3/8"	93.0	9.9
NE-352	3/8"	9/16"(14)	5-15(6.7-20)	22 30	350	3.0(84.96)	90(6.3)	5"(125)	1.1 0.50	3/8"	89.0	4.4
NE-461	1/2"	9/16"(14)	10-65(13.5-88)	100 135	180	4.0(113)	90(6.3)	10-3/8"(270)	2.6 1.20	3/8"	83.0	2.3



# NE-0405-KIT

5 IN 1 MULTIPLE TOOL KIT

Air inlet : 1/4"

- 1pc NE-9004      ● 1pc QA-9120
- 1pc QA-9620    ● 1pc QB-9903
- 1pc QE-9132

5 pieces in one carton



**60FT-LB / 81Nm**



Ratchet NE-9904



Die Grinder QA-9120



Air drill QE-9132



Angle Die Grinder QA-9620



Angle Grinder QB-9903



	Cylinder Power	Chuck Capacity	Free Speed	Net Weight	Overall Length	Avg. Air Consumption	Air Pressure	Air Inlet Size	Air Hose	Sound Pressure
	hp(w)	Inch (mm)	R.P.M	kg	mm	(L/min)	PSI (bar)	Inch	Inch	dBA
QA-9120	0.5(372)	1/4" & 1/8" (6mm & 3mm)	19,000	0.73	202.8	5.20	90(6.3)	1/4	3/8	83
NE-9904	0.5(372)	1/2"(13)	150	1.488	287.88	5.22	90(6.3)	1/4	3/8	83
QE-9132	0.5(372)	3/8"(10)	3300	1.143	248.38	5.20	90(6.3)	1/4	3/8	83
QB-9903	0.5(372)	PAD DIA 3"(76)	14,000	0.976	211.5	5.20	90(6.3)	1/4	3/8	83
QA-9620	0.5(372)	1/4" & 1/8" (6mm & 3mm)	14,000	0.89	208.5	5.20	90(6.3)	1/4	3/8	83



**AIR  
DIE  
GRINDER**

**AIR  
DIE  
GRINDER**





Air die grinder



## QA-633Q A/B

**97° AIR ANGLE**  
**DIE GRINDER**

Air inlet : 1/4"

- No gear type to reduce maintenance costs
- 97 degree angle to reduce wrist fatigue
- Low sound pressure 75dBA
- Composite grip / long time usage without cold feeling
- Enlarged motor design for bigger power output



**64%**  
Lower sound

**50%**  
longer  
Life-time

Compare With ordinary models

20 pieces in one carton



Collet Size	Collet Size	Free Speed	Avg. Air Consumption	Air Pressure	Overall Length	Motor	Net Weight	Air Hose	Sound Pressure	Vibration Level
A mm	B inch	R.P.M	CFM (L/min)	PSI (bar)	Inch (mm)	HP	LBS(kg)	Inch	dBA	m/s <sup>2</sup>
6 & 3	1/4" & 1/8"	15000	17.2(490)	90(6.3)	7-1/8"(180)	0.6 hp	1.54 lb / 0.70 kg	3/8"	75.0	>2.5

# AIR DIE GRINDER



## QA-1710A/B

EXTENDED AIR DIE GRINDER  
Air inlet : 1/4"

10 pieces in one carton



## FEATURES

- Grinder can be used in a wide range of grinding and polishing applications.
- Easy operation at the corner or deep place.



## QA-131 A / B

AIR DIE GRINDER Air inlet : 1/4" Roll Type Throttle

10 pieces in one carton



## QA-143 A / B

AIR DIE GRINDER Air inlet : 1/4" Roll Type Throttle

10 pieces in one carton

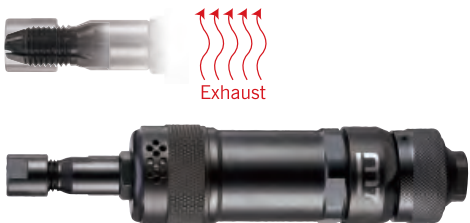


## QA-141 A / B QA-141L A / B

AIR DIE GRINDER Air inlet : 1/4"

QA-141-Roll Type Throttle  
QA-141L-Lever Type Throttle

10 pieces in one carton



- 6mm / 1/4" collet both available
- steel housing / high strength
- Front exhaust design

80%  
Longer  
Life-time

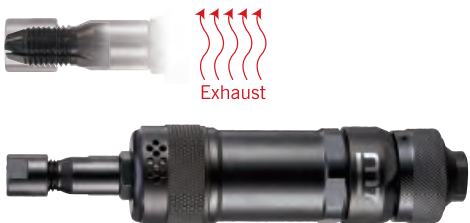
70%  
More  
Powerful



## QA-151 A / B

AIR DIE GRINDER Air inlet : 1/4" Roll Type Throttle

10 pieces in one carton



## QA-163 A / B QA-163L A / B

AIR DIE GRINDER

Air inlet : 1/4"

QA-163-Roll Type Throttle  
QA-163L-Lever Type Throttle



10 pieces in one carton



## QA-632Q A / B

97°AIR ANGLE DIE GRINDER Air inlet : 1/4"

- No gear type to reduce maintenance costs
- 97 degree angle to reduce wrist fatigue
- Low sound pressure 75dBA Composite grip / long time usage
- without cold feeling

20 pieces in one carton



## QA-611 A / B

90°AIR ANGLE DIE GRINDER Air inlet : 1/4"

- 90° working angle provides wide flexibility in confined areas.
- Both 3mm and 6mm or 1/8" and 1/4" collets are included.

20 pieces in one carton



	Collet Size A mm	Collet Size B inch	Free Speed R.P.M	Avg. Air Consumption CFM (L/min)	Air Pressure PSI (bar)	Overall Length Inch (mm)	Motor HP	Net Weight LBS(kg)	Air Hose Inch	Sound Pressure dBA	Vibration Level m/s <sup>2</sup>
QA-131	3	1/4"	30000	14.0(396)	90(6.3)	6-11/16"(170)	0.4	1.3 0.60	3/8"	75.0	2.5
QA-141	6	1/4"	24000	14.0(396)	90(6.3)	6-11/16"(170)	0.4	1.3 0.60	3/8"	75.0	2.5
QA-141L	6	1/4"	24000	14.0(396)	90(6.3)	6-11/16"(170)	0.4	1.3 0.60	3/8"	75.0	2.5
QA-143	6	1/4"	24000	14.0(396)	90(6.3)	11-11/16"(296)	0.4	2.0 0.90	3/8"	75.0	2.5
QA-151	6	1/4"	18000	12.2(345)	90(6.3)	7"(177)	0.9	1.76 0.80	3/8"	75.0	2.1
QA-163	6	1/4"	16000	5.0(141)	90(6.3)	12"(305)	0.9	2.7 1.25	3/8"	75.0	2.8
QA-163L	6	1/4"	16000	5.0(141)	90(6.3)	13-25/32"(350)	0.9	2.9 1.31	3/8"	75.0	2.8
QA-1710	6	1/4"	18000	5.0(141)	90(6.3)	18-5/16"(465)	0.4	2.36 1.07	3/8"	80.0	1.5
QA-611	6 & 3	1/4" & 1/8"	19000	10.0(283)	90(6.3)	6-1/8"(160)	0.3	1.12 0.51	3/8"	74.4	1.7
QA-632Q	6 & 3	1/4" & 1/8"	22000	12.3(350)	90(6.3)	7"(177)	0.4	1.12 0.51	3/8"	75.0	>2.5

# AIR DIE GRINDER



## QA-101 A / B

AIR DIE GRINDER Air inlet : 1/4"

- Grinder can be used in a wide range of grinding and polishing applications.
- Easy operation at the corner or deep place.



**Mighty Mini**  
**119mm**



## QA-111 A / B

AIR DIE GRINDER Air inlet : 1/4"

20 pieces in one carton



## QA-210 A / B

AIR DIE GRINDER Air inlet : 1/4"

20 pieces in one carton



## QA-211 A / B

AIR DIE GRINDER Air inlet : 1/4"

20 pieces in one carton



## QA-231Q A / B

AIR DIE GRINDER Air inlet : 1/4"

20 pieces in one carton



## QA-241 A / B

AIR DIE GRINDER Air inlet : 1/4"

10 pieces in one carton





## QA-311 A / B

AIR DIE GRINDER Air inlet : 1/4"

10 pieces in one carton



## QA-313 A / B

AIR DIE GRINDER Air inlet : 1/4"

10 pieces in one carton



## QA-315 A / B

AIR DIE GRINDER Air inlet : 1/4"

10 pieces in one carton



	Collet Size A mm	Collet Size B inch	Free Speed R.P.M	Avg. Air Consumption CFM (L/min)	Air Pressure PSI (bar)	Overall Length Inch (mm)	Motor HP	Net Weight LBS(kg)		Air Hose Inch	Sound Pressure dBA	Vibration Level m/s <sup>2</sup>
QA-101	6 & 3	1/4" & 1/8"	25000	6.3(178)	90(6.3)	4-11/16"(119)	0.3	0.71	0.32	3/8"	80.0	1.4
QA-111	6 & 3	1/4" & 1/8"	25000	10.0(283)	90(6.3)	6"(155)	0.3	0.8	0.38	3/8"	81.5	1.8
QA-210	6	1/4"	20000	10.0(283)	90(6.3)	7-1/2"(190)	0.9	1.4	0.65	3/8"	75.7	0.8
QA-211	6 & 3	1/4" & 1/8"	20000	10.0(283)	90(6.3)	7-1/2"(190)	0.9	1.4	0.65	3/8"	75.7	0.8
QA-231Q	6 & 3	1/4" & 1/8"	20000	14.8(420)	90(6.3)	5-29/32"(150)	0.45	0.8	0.35	3/8"	80.0	>2.5
QA-241	6	1/4"	4000	10.6(283)	90(6.3)	8-5/8"(220)	0.5	1.6	0.75	3/8"	75.0	0.87
QA-311	6 & 3	1/4" & 1/8"	25000	10.0(283)	90(6.3)	7-1/2"(190)	0.3	1.0	0.48	3/8"	81.5	1.8
QA-313	6 & 3	1/4" & 1/8"	25000	10.0(283)	90(6.3)	9-1/4"(235)	0.3	1.2	0.58	3/8"	81.5	1.8
QA-315	6 & 3	1/4" & 1/8"	25000	10.0(283)	90(6.3)	11"(280)	0.3	1.4	0.63	3/8"	81.5	1.8

# AIR DIE GRINDER KIT



## QA-0115 A / B QA-0215 A / B

AIR DIE GRINDER 15PCS KIT Air inlet : 1/4"

- 1pc Air Die Grinder (QA-111 / 211)
- 1pc Collet (3 mm or 1/8")
- 2pcs Spanner Wrench
- 5pcs Grinding Stone (3 mm or 1/8")
- 5pcs Grinding Stone (6 mm or 1/4")
- 1pc Plug (adapter)



## QA-0615 A / B

AIR DIE GRINDER 15PCS KIT Air inlet : 1/4"

- 1pc Air Die Grinder (QA-611)
- 1pc Collet (3 mm or 1/8")
- 2pcs Spanner Wrench
- 5pcs Grinding Stone (3 mm or 1/8")
- 5pcs Grinding Stone (6 mm or 1/4")
- 1pc Plug (adapter)

10 pieces in one carton



## QA-0207

AIR DIE GRINDER 7PCS KIT

Air inlet : 1/4"

- 1pc Air Die Grinder (QA-210)
- 5pcs Grinding stone
- 1pc Plug (adapter)

10 pieces in one carton





**QA-4507**  
A:6mm B:1/4"  
MICRO AIR DIE GRINDER  
Air inlet : 1/4"



**QA-412**  
A:3mm B:1/8"  
MICRO AIR DIE GRINDER  
Air inlet : 1/4"



**QA-421**  
A:3mm B:1/8"  
MICRO AIR DIE GRINDER  
Air inlet : 1/4"



**QA-431**  
A:3mm B:1/8"  
MICRO AIR DIE GRINDER  
Air inlet : 1/4"



**QA-432**  
A:3mm B:1/8"  
MICRO AIR DIE GRINDER  
Air inlet : 1/4"



**QA-511**  
ENGRAVING PEN  
Air inlet : 1/4"



**QA-441**  
HEAVY DUTY MICRO AIR DIE GRINDER A:3mm B:1/8"  
Air inlet : 1/4"

- Heavy Duty 3mm Pencil Grinder
- Rust-free stainless steel front housing
- Ideal for machining dies, molds or other restricted grinding applications



	Collet Size inch(mm)	Free Speed R.P.M	Blow Per Minute bpm	Avg. Air Consumption CFM (L/min)	Air Pressure PSI (bar)	Overall Length Inch (mm)	Hose Length mm	Net Weight LBS(kg)	Air Hose Inch	Sound Pressure dBA	Vibration Level m/s <sup>2</sup>
QA-412	1/8" (3)	60000	-----	2.7(76)	90(6.3)	6-3/4"(170)	1500	0.50 0.24	3/8"	70.0	0.5
QA-421	1/8" (3)	60000	-----	2.7(76)	90(6.3)	6"(150)	1500	0.50 0.22	3/8"	70.0	0.5
QA-431	1/8" (3)	54000	-----	2.0(56)	90(6.3)	5-3/8"(137)	1425	0.40 0.20	3/8"	70.0	0.5
QA-432	1/8" (3)	70000	-----	1.0(29)	90(6.3)	5-3/8"(137)	1425	0.40 0.20	3/8"	70.0	0.5
QA-511	-----	-----	13000	1.0(29)	90(6.3)	5-1/2"(140)	1420	0.50 0.23	3/8"	78.0	0.6
QA-441	1/8"(3)	60000	-----	2.0(56)	90(6.3)	5-5/16"(135)	1500	0.40 0.21	3/8"	71.0	1.0
QA-4507	1/4"(6)	32000	-----	4.0(113)	90(6.3)	14-11/32"(364)	1500	0.88 0.40	3/8"	85.0	1.2



**AIR ANGLE GRINDER**

**AIR ANGLE GRINDER**



# QB-7114 S/M

# QB-7115 S/M

# QB-7145 S/M

**20%**  
More Powerful

Compare With ordinary models

## 100° AIR ANGLE GRINDER / LEVER TYPE THROTTLE

Note : The grinding wheel is not supplied along with the tool  
Air inlet : 1/4"

6 pieces in one carton

- Strengthened motor design can reach 1.3HP.
- Metric and inch spindle design can meet accessory demands in every market.
- Spindle lock enables easier accessory changes.
- 100 degree design enables easier operation.
- Heavy duty air cooled spiral gears and double bearings for durability.



	Pad Dia Inch(mm)	Spindle Size	Free Speed R.P.M	Avg. Air Consumption CFM (L/min)	Air Pressure PSI (bar)	Overall Length Inch (mm)	Motor HP	Net Weight LBS(kg)	Air Hose Inch	Sound Pressure dBA	Vibration Level m/s <sup>2</sup>
QB-7114(S/M)	4"(100)	3/8"-24 / M10*P1.5	11000	4.2(119)	90(6.3)	9-1/8"(232)	1.30	4.0 1.81	3/8"	90.0	1.2
QB-7115(S/M)	5"(125)	5/8"-11 / M14*P2.0	11000	4.2(119)	90(6.3)	9-1/8"(232)	1.30	4.0 1.81	3/8"	90.0	1.2
QB-7145(S/M)	4-1/2"(114)	5/8"-11 / M14*P2.0	11000	4.2(119)	90(6.3)	9-1/8"(232)	1.30	4.0 1.81	3/8"	90.0	1.2

# AIR ANGLE GRINDER

AIR ANGLE GRINDER



## QB-104/105

AIR ANGLE GRINDER / Roll Type Throttle  
Air inlet : 1/4"

Note : The grinding wheel is not supplied along with the tool

10 pieces in one carton



## QB-114/115

AIR ANGLE GRINDER / Lever Type Throttle  
Air inlet : 1/4"

Note : The grinding wheel is not supplied along with the tool

10 pieces in one carton



## QB-124/125

AIR ANGLE GRINDER/LEVER TYPE THROTTLE  
Air inlet : 1/4"

Note : The grinding wheel is not supplied along with the tool

8 pieces in one carton



## QB-134/135 QB-154/155

AIR ANGLE GRINDER / LEVER TYPE THROTTLE  
Air inlet : 1/4"

Note : The grinding wheel is not supplied along with the tool

10 pieces in one carton



## QB-144/145 QB-164/165

AIR ANGLE GRINDER / ROLL TYPE THROTTLE

Air inlet : 1/4"

Note : The grinding wheel is not supplied along with the tool

10 pieces in one carton



## QB-107

AIR ANGLE GRINDER / ROLL TYPE THROTTLE

Air inlet : 3/8"

Note : The grinding wheel is not supplied along with the tool

6 pieces in one carton





## QB-117

**AIR ANGLE GRINDER / LEVER TYPE THROTTLE**

Air inlet : 3/8"

Note : The grinding wheel is not supplied along with the tool

6 pieces in one carton



## QB-177

**AIR ANGLE GRINDER / LEVER TYPE THROTTLE**

Air inlet : 3/8"

Note : The grinding wheel is not supplied along with the tool

6 pieces in one carton



	Pad Dia / Arbor Size	Spindle Size	Free Speed	Avg. Air Consumption	Air Pressure	Overall Length	Motor	Net Weight	Air Hose	Sound Pressure	Vibration Level
	inch(mm)		R.P.M	CFM (L/min)	PSI (bar)	Inch (mm)	HP	LBS(kg)	Inch	dBA	m/s <sup>2</sup>
QB-104	4"(100x16)	3/8"-24	11000	6.0(170)	90(6.3)	8-7/8"(226)	0.78	4.0 1.81	3/8"	87.8	1.2
QB-105	5"(125x22)	3/8"-24	11000	6.0(170)	90(6.3)	8-7/8"(226)	0.78	4.0 1.81	3/8"	87.1	1.2
QB-114	4"(100x16)	3/8"-24	11000	6.0(170)	90(6.3)	9"(230)	0.78	4.0 1.81	3/8"	87.8	1.2
QB-115	5"(125x22)	3/8"-24	11000	6.0(170)	90(6.3)	9"(230)	0.78	4.0 1.81	3/8"	87.1	1.2
QB-124	4"(100x16)	3/8"-24	11000	6.0(170)	90(6.3)	9"(230)	0.80	3.8 1.73	3/8"	85.7	1.2
QB-125	5"(125x22)	5/8"-11	11000	6.0(170)	90(6.3)	9"(230)	0.80	3.9 1.78	3/8"	87.0	1.2
QB-134	4"(100x16)	M10xP1.5	11000	6.0(170)	90(6.3)	9"(230)	0.78	4.0 1.81	3/8"	87.8	1.2
QB-135	5"(125x22)	M14xP2.0	11000	6.0(170)	90(6.3)	9"(230)	0.78	4.0 1.81	3/8"	87.1	1.2
QB-144	4"(100x16)	M10xP1.5	11000	6.0(170)	90(6.3)	8-7/8"(226)	0.78	4.0 1.81	3/8"	87.8	1.2
QB-145	5"(125x22)	M14xP2.0	11000	6.0(170)	90(6.3)	8-7/8"(226)	0.78	4.0 1.81	3/8"	87.8	1.2
QB-154	4"(100x16)	3/8"-24	11000	6.0(170)	90(6.3)	9"(230)	0.78	3.8 1.73	3/8"	87.8	1.2
QB-155	5"(125x22)	3/8"-24	11000	6.0(170)	90(6.3)	9"(230)	0.78	3.8 1.73	3/8"	87.8	1.2
QB-164	4"(100x16)	3/8"-24	11000	6.0(170)	90(6.3)	8-7/8"(226)	0.78	4.0 1.81	3/8"	87.8	1.2
QB-165	5"(125x22)	3/8"-24	11000	6.0(170)	90(6.3)	8-7/8"(226)	0.78	4.0 1.81	3/8"	87.8	1.2
QB-107	7"(178x22)	-----	7000	9.0(255)	90(6.3)	11-1/4"(290)	1.0	7.1 3.24	1/2"	89.7	1.0
QB-117	7"(178x22)	-----	7000	9.0(255)	90(6.3)	13-1/2"(343)	1.0	7.1 3.2	1/2"	89.7	1.0
QB-177	7"(178x22)	5/8"-11	7600	6.0(170)	90(6.3)	11-13/16"(300)	2.0	7.2 3.3	3/8"	92.0	2.7

# AIR ANGLE GRINDER

AIR ANGLE GRINDER



## QB-197Q

AIR ANGLE GRINDER / LEVER TYPE THROTTLE

Air inlet : 3/8"

Note : The grinding wheel is not supplied along with the tool

6 pieces in one carton



## QB-179

AIR VERTICAL GRINDER / LEVER TYPE THROTTLE

Air inlet : 1/2"

Note : The grinding wheel is not supplied along with the tool

4 pieces in one carton



## QB-185

AIR VERTICAL GRINDER / LEVER TYPE THROTTLE

Air inlet : 3/8"

Note : The grinding wheel is not supplied along with the tool

4 pieces in one carton



## QB-187

AIR VERTICAL GRINDER / LEVER TYPE THROTTLE

Air inlet : 3/8"

Note : The grinding wheel is not supplied along with the tool

4 pieces in one carton





## QB-194

**AIR ANGLE GRINDER / ROLL TYPE THROTTLE**

Air inlet : 3/8"

Note : The grinding wheel is not supplied along with the tool

10 pieces in one carton



## QB-194L

**AIR ANGLE GRINDER / LEVER TYPE THROTTLE**

Air inlet : 3/8"

Note : The grinding wheel is not supplied along with the tool

6 pieces in one carton



## QB-194-CN

**AIR ANGLE GRINDER / ROLL TYPE THROTTLE**

Air inlet : 3/8"

Note : The grinding wheel is not supplied along with the tool

10 pieces in one carton



## QB-195-85 QB-195-120

**AIR ANGLE GRINDER / ROLL TYPE THROTTLE**

Air inlet : 3/8"

Note : The grinding wheel is not supplied along with the tool

10 pieces in one carton



	Pad Dia / Arbor Size	Spindle Size	Free Speed	Avg. Air Consumption	Air Pressure	Overall Length	Motor	Net Weight	Air Hose	Sound Pressure	Vibration Level
	inch(mm)		R.P.M	CFM (L/min)	PSI (bar)	Inch (mm)	HP	LBS(kg)	Inch	dBA	m/s <sup>2</sup>
QB-197Q	7"(178x22)	5/8"-11	7000	6.0(170)	90(6.3)	13-15/16"(353)	2.2	6.8 3.1	3/8"	77.0	1.5
QB-179	9"(230x22)	5/8"-11	6000	7.0(198)	90(6.3)	11"(279)	3.8	13.2 6.0	3/4"	86.0	2.1
QB-185	5"(125x22)	5/8"-11	12000	6.0(170)	90(6.3)	9-9/64"(232)	1.4	6.2 2.8	1/2"	86.0	2.1
QB-187	7"(178x22)	5/8"-11	7000	6.0(170)	90(6.3)	9-23/32"(247)	2.0	8.8 4.0	1/2"	86.0	2.1
QB-194	4"(100x16)	M8 X 1.25	12000	4.9(138)	90(6.3)	8-15/32"(215)	0.9	4.2 1.9	3/8"	91.0	2.6
QB-194L	4"(100x16)	M8 X 1.25	12000	4.9(138)	90(6.3)	10-23/32"(272)	0.9	4.6 2.1	3/8"	89.0	2.5
QB-194-CN	4"(100x16)	M8 X 1.25	13500	4.8(136)	90(6.3)	8-15/64"(210)	0.8	4.2 1.9	3/8"	92.0	2.8
QB-195-85	5"(125x22)	1/2"-13	8500	4.9(138)	90(6.3)	8-15/16"(227)	1.4	5.3 2.4	3/8"	91.0	2.1
QB-195-120	5"(125x22)	1/2"-13	12000	5.1(144)	90(6.3)	8-15/16"(227)	1.4	5.3 2.4	3/8"	91.0	2.1

# AIR ANGLE GRINDER

AIR ANGLE GRINDER



## QB-195L-85 QB-195L-120

**AIR ANGLE GRINDER / LEVER TYPE THROTTLE**

Air inlet : 3/8"

Note : The grinding wheel is not supplied along with the tool

6 pieces in one carton



## QB-195CN

**AIR ANGLE GRINDER / ROLL TYPE THROTTLE**

Air inlet : 3/8"

Note : The grinding wheel is not supplied along with the tool

10 pieces in one carton



## QB-199 S/M

**AIR ANGLE GRINDER / LEVER TYPE THROTTLE**

Air inlet : 3/8"

Note : The grinding wheel is not supplied along with the tool

6 pieces in one carton



## QB-1004

**AIR ANGLE GRINDER / ROLL TYPE THROTTLE**

Air inlet : 1/4"

Note : The grinding wheel is not supplied along with the tool

6 pieces in one carton





## QB-2925

**AIR STRAIGHT GRINDER / ROLL TYPE THROTTLE**

Air inlet : 3/8"

Note : The grinding wheel is not supplied along with the tool

12 pieces in one carton



## QB-2925L

**AIR STRAIGHT GRINDER / LEVER TYPE THROTTLE**

Air inlet : 3/8"

Note : The grinding wheel is not supplied along with the tool

12 pieces in one carton



## QB-623

**2" AIR ANGLE GRINDER / LEVER TYPE THROTTLE**

Air inlet : 1/4"

- back exhaust design to reduce flying dusts
- suitable sizes for detailed sanding and trimming

20 pieces in one carton



	Pad Dia / Arbor Size inch(mm)	Spindle Size	Free Speed R.P.M	Avg. Air Consumption CFM (L/min)	Air Pressure PSI (bar)	Overall Length Inch (mm)	Motor HP	Net Weight LBS(kg)	Air Hose Inch	Sound Pressure dBA	Vibration Level m/s <sup>2</sup>
QB-195L-85	5"(125x22)	1/2"-13	8500	4.9(138)	90(6.3)	10-13/16"(275)	1.4	5.5 2.5	3/8"	91.0	2.1
QB-195L-120	5"(125x22)	1/2"-13	12000	5.1(144)	90(6.3)	10-13/16"(275)	1.4	5.5 2.4	3/8"	91.0	2.1
QB-195-CN	5"(125x22)	M8 X 1.25	12000	4.9(138)	90(6.3)	8-15/32"(215)	1.0	4.4 2.0	3/8"	91.0	2.6
QB-199S	9"(230x22)	5/8"	5900	6.8(178)	90(6.3)	14"(360)	2.5	9.9 4.5	3/8"	98.0	3.75
QB-199M	9"(230x22)	M14 X P2.0	5900	6.8(178)	90(6.3)	14"(360)	2.5	9.9 4.5	3/8"	98.0	3.75
QB-1004	4" (100x16)	M8 X 1.25	13500	4.9(138)	90(6.3)	7-3/32"(215)	0.6	2.6	3/8"	86.0	2.5
QB-2925	(65x13x9.5)	3/8"-16	16000	5.0(141)	90(6.3)	10-11/16"(270)	0.9	2.9 1.33	3/8"	90.0	2.8
QB-2925L	(65x13x9.5)	3/8"-16 (5/8"-11)	16000	5.0(141)	90(6.3)	12-25/32"(215)	0.9	3.0 1.39	3/8"	90.0	2.8
QB-623	2"(50x10)	M14 X P2.0	19000	8.1(283)	90(6.3)	6-5/16"(160)	0.3	1.2 0.57	3/8"	80.0	0.5



# AIR BELT SANDER



## QB-311

AIR BELT SANDER  
Air inlet : 1/4"

10 pieces in one carton

- Quick belt change function
- Belt automatically adjusts to correct position.
- Belt shroud protects hands.
- Rubber handle offers non-slip grip and insulates hands from cold housing.
- Common applications include sanding and smoothing of welds, paint, rust and deburring removal.



## QB-312

AIR BELT SANDER  
Air inlet : 1/4"

10 pieces in one carton

- Common applications include sanding and smoothing of welds, paint, rust and deburring removal in difficult-to-access locations



## QB-313

AIR BELT SANDER  
Air inlet : 1/4"

6 pieces in one carton



## QB-321

AIR BELT SANDER  
Air inlet : 1/4"

10 pieces in one carton



## QB-324

AIR BELT SANDER  
Air inlet : 1/4"

10 pieces in one carton

- Adjustable belt speed control regulator
- Common applications include sanding and smoothing of welds, paint, rust and deburring removal in difficult-to-access locations





## QB-322 QB-322C

### AIR BELT SANDER

Air inlet : 1/4"

10 pieces in one carton

- Ergonomic grip with streamline plastic cover
- Air regulator switch for speed adjusting
- No screw type -> 360 degree open shield, easy to change sanding belts



QB-322C:Rubber pulley



## QB-322RC

### AIR BELT SANDER - ANGLE FELXIBLE

Air inlet : 1/4"

Can be bent to 0~50 degrees

5-stage speed regulation 10000~16000R.P.M can be adjusted according to grinding conditions

<Rubber Pulley> equipped with single point operation grinding

Bending design for large diameter metal tubes with iron bars or large curved surfaces

10 pieces in one carton



## QB-325N[SET]

Belt Size

### AIR BELT SANDER

Air inlet : 1/4"

4 pieces in one carton

- Adjustable belt speed regulator.
- Non-woven abradive belt available.
- Ergonomic design for comfortable operation.
- 10x330mm / 3/8"x13"
- 3x330mm / 1/8"x13"
- 6x330mm / 1/4"x13"
- 20x330mm / 3/4"x13"
- 20x520mm / 3/4"x20-1/2"



QB-325P54 20x520mm / 3/4"x20-1/2"

QB-325P53 20x330mm / 3/4"x13"

QB-325P04 10x330mm / 3/8"x13"

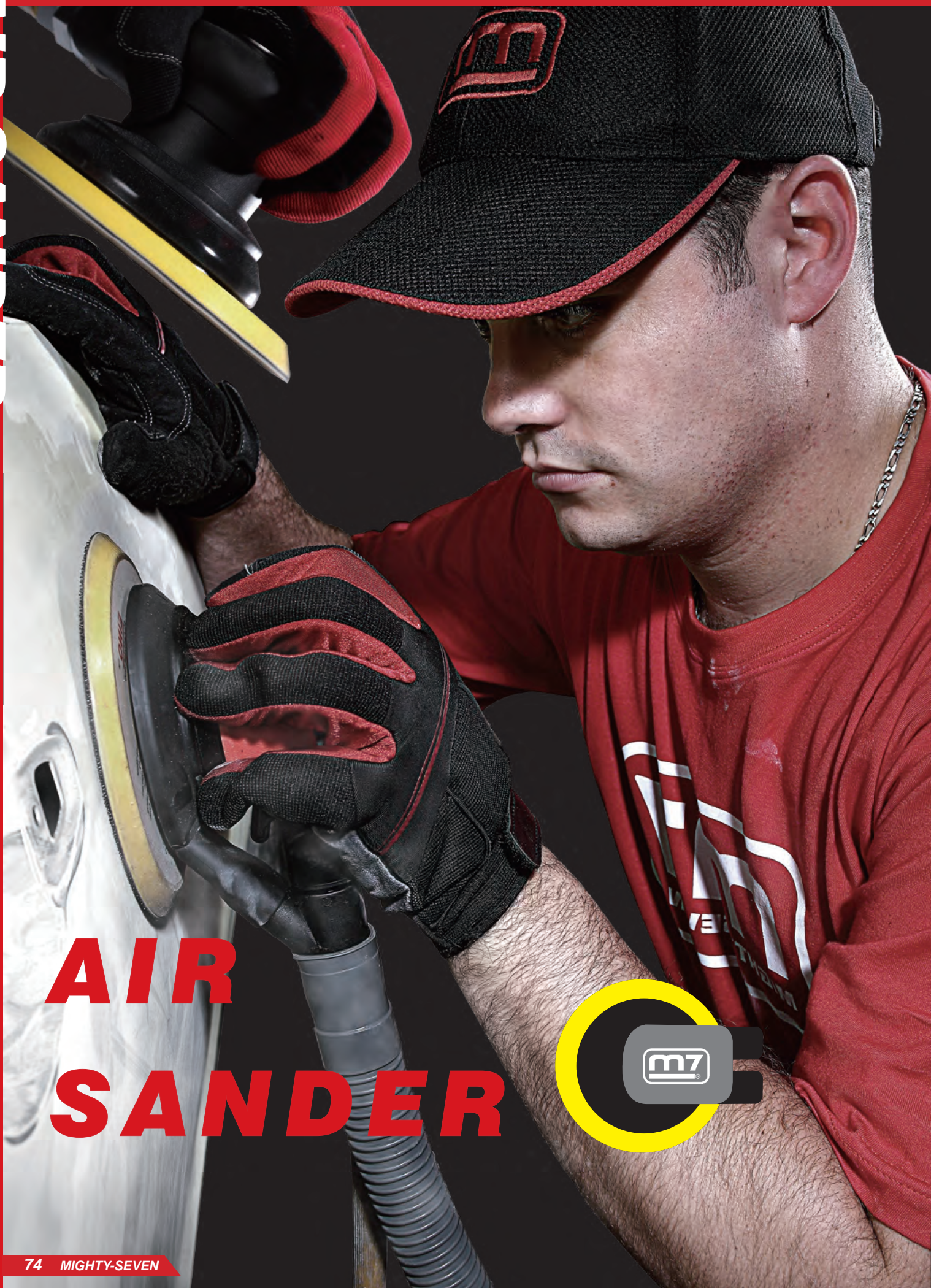
QB-325P52 6x330mm / 1/4"x13"

QB-325P51 3x330mm / 1/8"x13"



	Belt Size Pad Dia	Free Speed	Avg. Air Consumption	Air Pressure	Overall Length	Net Weight		Air Hose	Sound Pressure	Vibration Level
	inch(mm)	R.P.M	CFM (L/min)	PSI (bar)	Inch (mm)	LBS	kg	Inch	dBA	m/s <sup>2</sup>
QB-311	3/8"x13"(10x330)	16000	8.0(226)	90(6.3)	11-1/2"(290)	1.7	0.80	3/8"	89.7	0.5
QB-312	3/4"x20-1/2"(20x520)	16000	9.0(254)	90(6.3)	14"(360)	2.6	1.20	3/8"	91.8	0.4
QB-313	1-3/16"x21-1/4"(30x540)	13000	10.0(283)	90(6.3)	15-3/8"(390)	5.2	2.40	3/8"	81.0	1.2
QB-321	3/8"x13"(10x330)	16000	4.0(113)	90(6.3)	12-5/8"(320)	2.1	0.95	3/8"	88.0	1.0
QB-322	3/4"x20-1/2"(20x520)	16000	4.0(113)	90(6.3)	17"(430)	3.1	1.40	3/8"	88.0	1.3
QB-322RC	3/4"x20-1/2"(20x520)	16000	4.0(226)	90(6.3)	17"(430)	3.1	1.40	3/8"	88.0	1.3
QB-324	1/2"x24"(12.7x610)	16000	4.0(113)	90(6.3)	18"(455)	2.4	1.10	3/8"	88.0	1.1
QB-325	3/8"x13" (10X330) 1/8"x13" (3X330) 1/4"x13" (6X330) 3/4"x13" (20X330) 3/4"x20-1/2" (20X520)	16000	4.0(113)	90(6.3)	12-5/8"(320)	2.1	0.95	3/8"	90.0	1.0

**AIR SANDER**



**AIR SANDER**





**NEW**



## QB-51612 QB-51602

**AIR RANDOM ORBITALS  
CENTRAL-VACUUM**

Air inlet : 1/4"

**10** pieces in one carton

- With automatic brake function, it will not hurt the object.
- Brake function seal also improve vacuuming efficiency.
- Multiple holes sanding pad included.



	Pad Dia	Free Speed	Avg. Air Consumption	Air Pressure	Overall Length	Motor	Net Weight	Air Hose	Sound Pressure	Vibration Level	orbit
	inch(mm)	R.P.M	CFM (L/min)	PSI (bar)	Inch (mm)	HP	LBS(kg)	Inch	dBA	m/s <sup>2</sup>	mm
QB-51612	6"(152)	12000	5(141)	90(6.3)	6"(152)	0.24	2 0.95	3/8"	81	1.5	2.5
QB-51602	6"(152)	12000	5(141)	90(6.3)	6"(152)	0.24	2 0.95	3/8"	81	1.5	5

# AIR SANDER

## Non-Vacuum SERIES



### QB-52

5" QB-52502 5mm orbit  
6" QB-52602 5mm orbit  
AIR RANDOM ORBITAL SANDER  
NON-VACUUM

Air inlet : 1/4"

10 pieces in one carton



### QB-55

6" QB-55602 5mm orbit  
AIR RANDOM ORBITAL SANDER  
NON-VACUUM  
Air inlet : 1/4"

10 pieces in one carton



### QB-46

5" QB-46502 5mm orbit | 6" QB-46602 5mm orbit  
5" QB-46512 2.5mm orbit | 6" QB-46612 2.5mm orbit  
AIR RANDOM ORBITAL SANDER  
NON-VACUUM

Air inlet : 1/4"

- Excellent for refinishing or smoothing the surface of metal, wood, leather etc.

10 pieces in one carton



### QB-42

5" QB-42502 5mm orbit  
6" QB-42602 5mm orbit  
AIR RANDOM ORBITAL SANDER  
NON-VACUUM

Air inlet : 1/4"

10 pieces in one carton



### 6" QB-49602

DUAL ACTION SANDER  
NON-VACUUM 9.5mm orbit  
Air inlet : 1/4"

10 pieces in one carton



### 5" QB-58502 6" QB-58602

AIR 2-HAND RANDOM ORBITAL SANDER  
NON-VACUUM 5mm orbit  
Air inlet : 1/4"

10 pieces in one carton





## 5" QB-58542 6" QB-58642

**AIR 2-HAND RANDOM ORBITAL SANDER**  
**NON-VACUUM 5mm orbit**

Air inlet : 1/4"

- Gear transmission for quicker hard sanding, saving time and longer lifespan.
- Aluminum alloy body housing completely covered with composite materials, robust and no cold feeling during long time usage.
- Long grip can reduce reaction while sanding.
- Air regulator switch for speed adjusting.

**10** pieces in one carton



Air regulator



Gear driven

	Pad Dia	Free Speed	Avg. Air Consumption	Air Pressure	Overall Length	Motor	Net Weight	Air Hose	Sound Pressure	Vibration Level	orbit
	inch(mm)	R.P.M	CFM (L/min)	PSI (bar)	Inch (mm)	HP	LBS(kg)	Inch	dBA	m/s <sup>2</sup>	mm
QB-52502	5"(127)	10000	6.0(170)	90(6.3)	6"(153)	0.24	2.2 1.00	3/8"	87.6	1.2	5
QB-52602	6"(152)	10000	6.0(170)	90(6.3)	6-1/2"(166)	0.24	2.6 1.20	3/8"	87.6	1.7	5
QB-55602	6"(152)	10000	3.0(85)	90(6.3)	6-11/16"(157)	0.24	1.5 0.68	3/8"	81.6	1.5	5
QB-42502	5"(127)	10000	3.85(109)	90(6.3)	6"(153)	0.24	1.7 0.81	3/8"	75.7	1.4	5
QB-42602	6"(152)	10000	3.85(109)	90(6.3)	6-1/2"(166)	0.24	1.8 0.85	3/8"	74.4	1.4	5
QB-49602	6"(152)	10000	3.60(102)	90(6.3)	8-21/32"(220)	0.75	2.0 0.91	3/8"	92.5	3.3	9.5
QB-46502	5"(127)	10000	3.85(109)	90(6.3)	6"(153)	0.24	1.7 0.79	3/8"	80.1	2.2	5
QB-46512	5"(127)	10000	3.85(109)	90(6.3)	6"(153)	0.24	1.7 0.79	3/8"	80.1	2.2	2.5
QB-46602	6"(152)	10000	3.85(109)	90(6.3)	6-1/2"(166)	0.24	1.7 0.79	3/8"	80.1	2.2	5
QB-46612	6"(152)	10000	3.85(109)	90(6.3)	6-1/2"(166)	0.24	1.7 0.79	3/8"	80.1	2.2	2.5
QB-58502	5"(127)	10000	3.10(88)	90(6.3)	9-7/16"(240)	0.4	2.6 1.2	3/8"	80.0	1.3	5
QB-58602	6"(152)	10000	3.10(88)	90(6.3)	9-7/16"(240)	0.4	2.6 1.2	3/8"	80.0	1.3	5
QB-58542	5"(127)	900	3.10(88)	90(6.3)	9-7/16"(240)	0.4	3.3 1.5	3/8"	82.0	<2.5	5
QB-58642	6"(152)	900	3.10(88)	90(6.3)	9-7/16"(240)	0.4	3.5 1.6	3/8"	82.0	<2.5	5

# AIR SANDER

AIR SANDER

## Self-Generated Vacuum SERIES



### QB-56602

6" AIR RANDOM ORBITAL SANDER  
SELF-GENERATED VACUUM 5mm orbit  
Air inlet : 1/4"

10 pieces in one carton



### QB-53

5" QB-53802 5mm orbit  
6" QB-53902 5mm orbit  
AIR RANDOM ORBITAL SANDER  
SELF-GENERATED VACUUM

Air inlet : 1/4" 10 pieces in one carton



### QB-47

6" QB-47602 5mm orbit  
6" QB-47612 2.5mm orbit  
AIR RANDOM ORBITAL SANDER  
SELF-GENERATED VACUUM  
Air inlet : 1/4"

10 pieces in one carton

- Excellent for refinishing or smoothing the surface of metal, wood, leather etc.



### QB-43

5" QB-43802 5mm orbit  
6" QB-43902 5mm orbit  
AIR RANDOM ORBITAL SANDER  
SELF-GENERATED VACUUM  
Air inlet : 1/4"

10 pieces in one carton





## 6" QB-59602

AIR 2-HAND RANDOM ORBITAL SANDER  
 SELF-GENERATED VACUUM 5mm orbit  
 Air inlet : 1/4"

6 pieces in one carton

- Aluminum alloy body housing completely covered with composite materials,
- robust and no cold feeling during long time usage.
- Long grip can reduce reaction while sanding.
- Air adjusting switch for adjusting speed.



## 6" QB-59642

AIR 2-HAND RANDOM ORBITAL SANDER  
 SELF-GENERATED VACUUM 5mm orbit  
 Air inlet : 1/4"

6 pieces in one carton



	Pad Dia	Free Speed	Avg. Air Consumption	Air Pressure	Overall Length	Motor	Net Weight	Air Hose	Sound Pressure	Vibration Level	orbit
	inch(mm)	R.P.M	CFM (L/min)	PSI (bar)	Inch (mm)	HP	LBS(kg)	Inch	dBA	m/s <sup>2</sup>	mm
QB-53802	5"(127)	10000	6(170)	90(6.3)	6"(153)	0.24	2.2 1.00	3/8"	86.2	1.1	5
QB-53902	6"(152)	10000	6(170)	90(6.3)	6-1/2"(166)	0.24	2.6 1.20	3/8"	80.1	1.6	5
QB-43802	5"(127)	10000	3.85(109)	90(6.3)	8"(206)	0.24	3.2 1.49	3/8"	83.9	1.3	5
QB-43902	6"(152)	10000	3.85(109)	90(6.3)	8-3/4"(221)	0.24	3.3 1.54	3/8"	83.0	1.4	5
QB-47602	6"(152)	10000	3.85(109)	90(6.3)	7-1/2"(193)	0.24	2.4 1.13	3/8"	84.7	2.2	5
QB-47612	6"(152)	10000	3.85(109)	90(6.3)	7-1/2"(193)	0.24	2.4 1.13	3/8"	84.7	2.2	2.5
QB-56602	6"(152)	10000	3.0(85)	90(6.3)	8-1/4"(210)	0.24	1.7 0.78	3/8"	81.6	1.5	5
QB-59602	6"(152)	10000	3.10(88)	90(6.3)	9-7/16"(240)	0.4	2.6 1.2	3/8"	80.0	1.3	5
QB-59642	6"(152)	900	3.10(88)	90(6.3)	9-7/16"(240)	0.4	3.5 1.6	3/8"	82.0	<2.5	5



# AIR SANDER

AIR SANDER

## Central-Vacuum SERIES



### QB-45

6" QB-45602 5mm orbit  
6" QB-45612 2.5mm orbit  
AIR RANDOM ORBITAL SANDER  
CENTRAL-VACUUM

Air inlet : 1/4" **10** pieces in one carton

- Excellent for refinishing or smoothing the surface of metal, wood, leather etc.



### QB-41

6" QB-41902 5mm orbit  
AIR RANDOM ORBITAL SANDER  
CENTRAL-VACUUM

Air inlet : 1/4" **10** pieces in one carton



### QB-54

6"QB-54602 (six hole Pad)  
6"QB-54702 (fifteen hole Pad)  
AIR RANDOM ORBITAL SANDER  
CENTRAL-VACUUM

Air inlet : 1/4" **10** pieces in one carton

- Composite body housing, light weight
- Strengthened composite rotor, durable and longer lifetime



### 6" QB-57602

AIR 2-HAND RANDOM ORBITAL SANDER  
CENTRAL-VACUUM 5mm orbit  
Air inlet : 1/4"

**6** pieces in one carton



### 6" QB-57642

AIR 2-HAND RANDOM ORBITAL SANDER  
CENTRAL-VACUUM 5mm orbit  
Air inlet : 1/4"

**6** pieces in one carton



Air sander



## QB-48012

AIR JITTERBUG SANDER  
NON-VACUUM 2.5mm orbit

Air inlet : 1/4"

12 pieces in one carton



## QB-48111

AIR JITTERBUG SANDER  
NON-VACUUM 2.5mm orbit

Air inlet : 1/4"

10 pieces in one carton



## QB-48112

AIR JITTERBUG SANDER  
NON-VACUUM 2.5mm orbit

Air inlet : 1/4"

12 pieces in one carton



## QB-48212

AIR JITTERBUG SANDER  
NON-VACUUM 2.5mm orbit

Air inlet : 1/4"

12 pieces in one carton



## QB-48211

AIR STRAIGHT LINE SANDER  
NON-VACUUM 2.5mm orbit

Air inlet : 1/4"

5 pieces in one carton



	Pad Dia	Free Speed	Avg. Air Consumption	Air Pressure	Overall Length	Motor	Net Weight	Air Hose	Sound Pressure	Vibration Level	orbit
	inch(mm)	R.P.M	CFM (L/min)	PSI (bar)	Inch (mm)	HP	LBS(kg)	Inch	dBA	m/s <sup>2</sup>	mm
QB-41902	6"(152)	10000	3.85(109)	90(6.3)	8"(206)	0.24	2.0 0.91	3/8"	81.5	1.2	5
QB-45602	6"(152)	10000	3.85(109)	90(6.3)	7-1/2"(193)	0.24	1.8 0.84	3/8"	81.6	2.2	5
QB-45612	6"(152)	10000	3.85(109)	90(6.3)	7-1/2"(193)	0.24	1.8 0.84	3/8"	81.6	2.2	2.5
QB-57602	6"(152)	10000	3.10(88)	90(6.3)	9-7/16"(240)	0.4	2.6 1.2	3/8"	80.0	1.3	5
QB-57642	6"(152)	900	3.10(88)	90(6.3)	9-7/16"(240)	0.4	3.5 1.6	3/8"	82.0	<2.5	5
QB-48012	3"x4"(75x100)	10000	5.0(141)	90(6.3)	5-3/8"(137)	0.24	1.83 0.83	3/8"	83.0	1.5	2.5
QB-48111	4"x4-3/8"(100x110)	11000	7.0(198)	90(6.3)	5-1/5"(130)	0.28	2.0 0.91	3/8"	83.0	1.5	2.5
QB-48112	4"x4-3/8"(100x110)	10000	5.0(141)	90(6.3)	5-3/8"(136)	0.24	1.7 0.78	3/8"	83.0	1.5	2.5
QB-48211	2-1/2"x15-3/4"(64x400)	2100	5.0(141)	90(6.3)	17-1/2"(444)	0.24	6.1 2.8	3/8"	83.0	1.5	2.5
QB-48212	7"x3-1/2"(93x180)	10000	5.0(141)	90(6.3)	7"(180)	0.24	2.0 0.94	3/8"	83.0	1.5	2.5
QB-54602	6"(152)	10000	3.0(85)	90(6.3)	8-1/4"(210)	0.24	1.7 0.78	3/8"	81.6	1.5	5
QB-54702	6"(152)	10000	3.0(85)	90(6.3)	8-1/4"(210)	0.24	1.7 0.78	3/8"	81.6	1.5	5

# AIR PISTOL POLISHER



## QP-113

AIR PISTOL SANDER 2.5mm orbit

Air inlet : 1/4"

10 pieces in one carton



## QP-123

AIR PISTOL POLISHER

Air inlet : 1/4"

10 pieces in one carton



## QP-215

AIR HIGH SPEED SANDER

Air inlet : 1/4"

10 pieces in one carton



## QP-317

AIR ANGLE POLISHER

Air inlet : 1/4"

10 pieces in one carton



## QP-307 M/S

AIR ANGLE SANDER

Air inlet : 1/4"

## QP-327 M/S

AIR ANGLE POLISHER

Air inlet : 1/4"

10 pieces in one carton



## QP-335

VERTICAL POLISHER

Air inlet : 1/4"

10 pieces in one carton



	Pad Dia inch(mm)	Spindle Size	Free Speed R.P.M	Avg. Air Consumption CFM (L/min)	Air Pressure PSI (bar)	Overall Length Inch (mm)	Motor HP	Net Weight LBS(kg)	Air Hose Inch	Sound Pressure dBA	Vibration Level m/s <sup>2</sup>	orbit mm
QP-113	3"(76)	5/16"-24	15000	3.5(99)	90(6.3)	5"(127)	0.40	1.5 0.72	3/8"	74.0	0.3	2.5
QP-123	3"(76)	7/16"-20	2100	3.5(99)	90(6.3)	5-5/16"(135)	0.40	1.6 0.77	3/8"	74.0	0.3	----
QP-215	4-2/1"	7/16"-20	16000	6.5(184)	90(6.3)	6-19/64"(160)	0.80	2.6 1.20	3/8"	60.0	1.8	----
QP-317	7"(178)	5/8"-11	2500	6.0(169)	90(6.3)	16"(406)	0.40	4.0 2.04	3/8"	84.0	2.5	----
QP-307	7"(178)	M14xP2	4500	6.0(169)	90(6.3)	16"(406)	0.40	4.0 2.04	3/8"	84.0	2.5	----
QP-327	7"(178)	M14xP2	2500	6.0(169)	90(6.3)	16"(406)	0.40	4.0 2.04	3/8"	84.0	2.5	----
QP-335	5"(127)	5/16"-24	3000	3.65(105)	90(6.3)	8"(203)	0.55	1.12 0.53	1/4"	85.0		----

**AIR  
CUTTING  
TOOLS**

# AIR CUTTING TOOLS

AIR CUTTING TOOLS



## QD-321

### LOW VIBRATION AIR BODY SAW

Air inlet : 1/4"

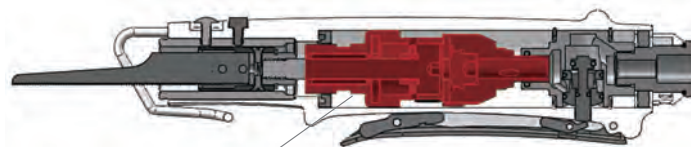
10 pieces in one carton

**30%**  
Lower  
Vibration

**20%**  
Efficiency

#### Compare With ordinary models

- Special air flow design to reduce vibration 30%
- streamline modelling for better ergonomics
- Long stroke to raise work efficiency 20%
- Cylinder specially processed to raise lifetime 30%



vibration-reduced cylinder design



	Strokes Length mm	Strokes Per min. S.P.M	Avg. Air Consumption CFM (L/min)	Air Pressure PSI (bar)	Overall Length Inch (mm)	Net Weight LBS kg	Air Hose Inch	Sound Pressure dBA	Vibration Level m/s <sup>2</sup>
		S.P.M							
QD-321	14.5	11000	4.5 (113)	90(6.3)	9-1/4"(230)	1.7 0.6	3/8"	83.0	2.0



## QC-234

4" HEAVY DUTY AIR CUT-OFF TOOL

Note: wheel is supplied with the tool

Available Dimension of inner hold : Ø 10mm Air inlet : 1/4"

10 pieces in one carton



- Excellent for cutting rusted bolts, nuts, motor exhaust clamps or hangers, sheet metal, fiberglass etc.



## QC-213

3" HEAVY DUTY AIR CUT-OFF TOOL

Note: wheel is supplied with the tool

Available Dimension of inner hold : Ø 10mm Air inlet : 1/4"

20 pieces in one carton

- 0.9hp high power motor
- Excellent for cutting rusted bolts, nuts, motor exhaust clamps or hangers, sheet metal, fiberglass etc.



3" wheel



## QC-253

3" AIR CUT-OFF TOOL

Note: wheel is supplied with the tool

Air inlet : 1/4"

10 pieces in one carton



## QC-254

4" AIR CORNER CUT-OFF TOOL

Note: wheel is supplied with the tool

Available Dimension of inner hold : Ø 10mm

Air inlet : 1/4"

10 pieces in one carton



## PN-150 PN-180

AIR PUNCH & FLANGE TOOL

Air inlet : 1/4"

10 pieces in one carton



## PN-250 PN-280

AIR PUNCH & FLANGE TOOL

Air inlet : 1/4"

10 pieces in one carton



	Belt Size Pad Dia inch(mm)	Free Speed R.P.M	Avg. Air Consumption CFM (L/min)	Air Pressure PSI (bar)	Overall Length Inch (mm)	Motor HP	Net Weight LBS	kg	Air Hose Inch	Sound Pressure dBA	Vibration Level m/s <sup>2</sup>
QC-213	3"(75)	20000	10.0(283)	90(6.3)	7-7/8"(200)	0.9	1.9	0.8	3/8"	80.2	10.8
QC-234	4"(100)	16000	10.0(283)	90(6.3)	14"(355)	0.9	3.5	1.5	3/8"	85.0	5.0
QC-253	3"(75)	24000	4.0(113)	90(6.3)	8"(203)	0.6	1.7	0.8	3/8"	91.0	1.2
QC-254	4"(100)	20000	5.0(141)	90(6.3)	8-1/8"(206)	0.6	2.0	0.9	3/8"	81.0	0.8

	Punch Diameter	Capacity	Avg. Air Consumption	Air Pressure	Overall Length	Net Weight	Air Hose	Sound Pressure	Vibration Level	
PN-150	5	1.6 mm (Steel)	4.0(113)	90(6.3)	10"(254)	2.5	1.15	3/8"	62.0	0.1
PN-180	8	1.2 mm (Steel)	4.0(113)	90(6.3)	10"(254)	2.5	1.15	3/8"	62.0	0.1
PN-250	5	1.6 mm (Steel)	4.0(113)	90(6.3)	7-15/32"(190)	2.6	1.15	3/8"	62.0	0.1
PN-280	8	1.2 mm (Steel)	4.0(113)	90(6.3)	7-15/32"(190)	2.6	1.15	3/8"	62.0	0.1

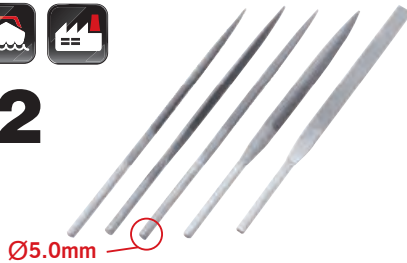
# AIR CUTTING TOOLS



## QD-242

AIR FILE WITH HOSE  
Air inlet : 1/4"

10 pieces in one carton



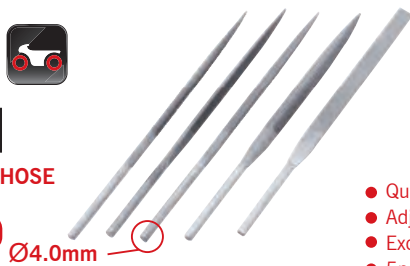
• 5pcs 5.0mm file set included



## QD-221

AIR SAW / FILE WITH HOSE  
Air inlet : 1/4"

10 pieces in one carton



- Quick change saw blade holder allows for easy blade changing
- Adjustable guard / guide controls depth of cut precisely
- Excellent for cutting sheet aluminum, plastic and sheet metal up to 1.6mm
- 5pcs 4.0mm file set included
- 1pc 32T + 1pc 24T saw blade included



## QD-230

AIR MINI SAW WITH HOSE  
Air inlet : 1/4"

10 pieces in one carton



- 4pcs 5.0mm file set included
- 1pc 32T saw blade included



## QD-291N

AIR SAW SET  
Air inlet : 1/4"

10 pieces in one carton



- Quick change saw blade holder allows blade changing easily.
- Adjustable guard / guide controls depth of cut precisely.

### Contents

- Air saw tool (1 pcs)
- 24T Saw Blade (6 pcs)
- 32T Saw Blade (6 pcs)
- Allen Key: 4mm, 3mm (1 pcs)
- 1/4" 360° plug
- 5 Pieces file set
- Mini oiler 1/4" (1 pcs)



	Strokes Length	Strokes Per min.	Collet Size	Avg. Air Consumption	Air Pressure	Overall Length	Net Weight		Air Hose	Sound Pressure	Vibration Level
	mm	S.P.M	mm	CFM (L/min)	PSI (bar)	Inch (mm)	LBS	kg	Inch	dBA	m/s <sup>2</sup>
		S.P.M									
QD-221	10	5000	4.0	4.0 (113)	90(6.3)	9-3/4"(250)	1.76	0.8	3/8"	81.9	4.1
QD-230	5	7000	5.0	2.5 (70)	90(6.3)	7"(180)	1.10	0.5	3/8"	80.0	2.4
QD-242	5	7000	5.0	5.3 (150)	90(6.3)	17-9/16"(700)	1.28	0.58	3/8"	80.0	4.5
QD-291	10	9000	5.0	4.0 (113)	90(6.3)	9-1/4"(235)	1.30	0.6	3/8"	80.0	2.4



## QK-121

AIR KNIFE  
Air inlet : 1/4"



## QK-111

AIR KNIFE  
Air inlet : 1/4"

10 pieces in one carton



QB-9320



## QG-102

AIR SHEAR / Straight Type  
Air inlet : 1/4"

10 pieces in one carton



## QG-202

AIR SHEAR / Pistol Type  
Air inlet : 1/4"

10 pieces in one carton



## QG-103

AIR NIBBLER  
Air inlet : 1/4"

10 pieces in one carton



	Oscillation per min	Avg. Air Consumption CFM (L/min)	Overall Length Inch (mm)	Net Weight LBS(kg)	Air Hose Inch	Sound Pressure dBA	Vibration Level m/s <sup>2</sup>
QK-111	20000	6.0(170)	7-5/64" (180)	2.4(1.1)	10	75	3.9
QK-121	19000	4.3(121)	6-15/16" (176)	1.3(0.6)	10	91	2.8

	Strokes Per min S.P.M	Avg. Air Consumption CFM (L/min)	Air Pressure PSI (bar)	Overall Length Inch (mm)	Net Weight LBS kg	Air Hose Inch	Sound Pressure dBA	Vibration Level m/s <sup>2</sup>	Cut Capacity mm
	S.P.M				lb kg				steel aluminum
QG-102	2600	6.0(170)	90(6.3)	10"(254)	2.2 1.00	3/8"	85.8	2.4	1.2 1.6
QG-202	2600	6.5(184)	90(6.3)	8-1/4"(210)	2.4 1.10	3/8"	89.1	2.9	1.2 1.6
QG-103	2600	3.0 (85)	90(6.3)	7-3/5"(193)	2.2 1.00	3/8"	88.0	2.8	1.2 1.6



**AIR DRILL**

**AIR  
DRILL**





# QE-831

## 3/8" AIR REVERSIBLE DRILL WITH KEYLESS CHUCK

Air inlet : 1/4"

10 pieces in one carton

- one finger forward/reverse switch.
- Planet gear to strengthen drilling capability.



3pcs Planet Gear

	Chuck Size	Free Speed	Motor	Avg. Air Consumption	Air Pressure	Overall Length	Net Weight	Air Hose	Sound Pressure	Vibration Level
	inch(mm)	R.P.M	hp	CFM (L/min)	PSI (bar)	Inch (mm)	LBS kg	Inch	dBA	m/s <sup>2</sup>
QE-831	3/8"(10)	1800	0.45	4.0(113)	90(6.3)	7-1/4"(185)	2.5 1.10	3/8"	83.0	0.3

# AIR DRILL

# 3/8"

## Chuck Size



### QE-331/332

QE-331 3/8" AIR REVERSIBLE DRILL  
QE-332 3/8" AIR DRILL  
With Keyless Chuck  
Air inlet : 1/4"

10 pieces in one carton



3pcs Planet Gear



### QE-333/334

QE-333 3/8" AIR REVERSIBLE DRILL  
QE-334 3/8" AIR DRILL  
With Key Chuck  
Air inlet : 1/4"

10 pieces in one carton



3pcs Planet Gear



### QE-833

3/8" AIR REVERSIBLE DRILL  
With Key Chuck  
Air inlet : 1/4"

10 pieces in one carton



3pcs Planet Gear



### QE-431/432

QE-431 3/8" AIR REVERSIBLE DRILL  
QE-432 3/8" AIR DRILL  
With Keyless Chuck  
Air inlet : 1/4"

10 pieces in one carton



2pcs Planet Gear  
with bearing



### QE-433/434

QE-433 3/8" AIR REVERSIBLE DRILL  
QE-434 3/8" AIR DRILL  
With Key Chuck  
Air inlet : 1/4"

10 pieces in one carton



2pcs Planet Gear  
with bearing



### QE-532

3/8" AIR DRILL  
With Keyless Chuck  
Air inlet : 1/4"

10 pieces in one carton



3pcs Planet Gear  
with bearing



## QE-533

3/8" AIR REVERSIBLE DRILL  
With Key Chuck  
Air inlet : 1/4"

10 pieces in one carton



3pcs Planet Gear with bearing



## QE-933

3/8" AIR REVERSIBLE DRILL  
With Keyless Chuck  
Air inlet : 1/4"

10 pieces in one carton



2pcs Planet Gear with bearing



## QE-633

3/8" 90° AIR REVERSIBLE ANGLE DRILL  
With Keyless Chuck  
Air inlet : 1/4"

10 pieces in one carton



2pcs Planet Gear with bearing

	Chuck Size inch(mm)	Free Speed R.P.M	Motor hp	Avg. Air Consumption CFM (L/min)	Air Pressure PSI (bar)	Overall Length Inch (mm)	Net Weight LBS kg		Air Hose Inch	Sound Pressure dBA	Vibration Level m/s <sup>2</sup>
QE-331	3/8"(10)	1800	0.65	6.5(184)	90(6.3)	8"(203)	2.42	1.1	3/8"	96.5	0.3
QE-332	3/8"(10)	2200	0.60	6.5(184)	90(6.3)	7-1/2"(190)	2.20	1.0	3/8"	96.5	0.3
QE-333	3/8"(10)	1800	0.65	6.5(184)	90(6.3)	8"(203)	2.42	1.1	3/8"	92.0	0.2
QE-334	3/8"(10)	2200	0.60	6.5(184)	90(6.3)	7-1/2"(190)	2.20	1.0	3/8"	92.0	0.2
QE-431	3/8"(10)	1800	0.50	4.0(112)	90(6.3)	8-29/32"(226)	2.6	1.18	3/8"	90.0	3.0
QE-432	3/8"(10)	2200	0.70	4.8(135)	90(6.3)	8-29/32"(226)	2.6	1.18	3/8"	90.0	3.0
QE-433	3/8"(10)	1800	0.50	4.0(112)	90(6.3)	9-1/16"(230)	2.7	1.23	3/8"	90.0	3.0
QE-434	3/8"(10)	2200	0.70	4.8(135)	90(6.3)	9-1/16"(230)	2.7	1.23	3/8"	90.0	3.0
QQE-532	3/8"(10)	2800	0.70	4.8(135)	90(6.3)	9-9/16"(243)	2.7	1.23	3/8"	90.0	2.0
QE-533	3/8"(10)	2200	0.50	4.0(112)	90(6.3)	9-13/32"(189)	2.7	1.23	3/8"	90.0	2.0
QE-833	3/8"(10)	1800	0.45	4.0(113)	90(6.3)	7-1/4"(185)	2.5	1.10	3/8"	83.0	0.3
QE-633	3/8"(10)	1600	0.50	3.0(85)	90(6.3)	8-1/4"(210)	2.4	1.10	3/8"	72.0	2.5
QE-933	3/8"(10)	2600	0.50	3.0(85)	90(6.3)	8-15/32"(215)	2.0	0.90	3/8"	72.0	2.5

# AIR DRILL

# 1/2"

## Chuck Size



### QE-341/342

QE-341 1/2" AIR REVERSIBLE DRILL  
QE-342 1/2" AIR DRILL  
With Keyless Chuck  
Air inlet : 1/4"

10 pieces in one carton



3pcs Planet Gearx 2Set



### QE-343/344

QE-343 1/2" AIR REVERSIBLE DRILL  
QE-344 1/2" AIR Drill  
With Key Chuck  
Air inlet : 1/4"

10 pieces in one carton



3pcs Planet Gearx 2Set



### QE-841

1/2" AIR REVERSIBLE DRILL  
With Keyless Chuck  
Air inlet : 1/4"

10 pieces in one carton



3pcs Planet Gearx 2Set



### QE-843

1/2" AIR REVERSIBLE DRILL  
With Key Chuck  
Air inlet : 1/4"

10 pieces in one carton



3pcs Planet Gearx 2Set



### QE-845

1/2" AIR REVERSIBLE DRILL  
With Key Chuck  
Air inlet : 1/4"

10 pieces in one carton



3pcs Planet Gearx 2Set



### QE-441/442

QE-441 1/2" AIR REVERSIBLE DRILL  
QE-442 1/2" AIR DRILL  
With Keyless Chuck  
Air inlet : 1/4"

10 pieces in one carton



2pcs Planet Gear x 2Set bearing

## Air drill



### QE-443

1/2" AIR REVERSIBLE DRILL  
With Key Chuck  
Air inlet : 1/4"

10 pieces in one carton



2pcs Planet Gear x 2Set bearing



### QE-542

1/2" AIR DRILL  
With Keyless Chuck  
Air inlet : 1/4"

10 pieces in one carton



3pcs Planet Gear x 2Set bearing



### QE-543

1/2" AIR REVERSIBLE DRILL  
With Key Chuck  
Air inlet : 1/4"

10 pieces in one carton



3pcs Planet Gear x 2Set bearing

	Chuck Size	Free Speed	Motor	Avg. Air Consumption	Air Pressure	Overall Length	Net Weight		Air Hose	Sound Pressure	Vibration Level
	inch(mm)	R.P.M	hp	CFM (L/min)	PSI (bar)	Inch (mm)	LBS	kg	Inch	dBA	m/s <sup>2</sup>
QE-341	1/2"(13)	800	0.65	6.5(184)	90(6.3)	9"(230)	3.96	1.8	3/8"	96.5	0.1
QE-342	1/2"(13)	800	0.60	6.5(184)	90(6.3)	8-1/4"(209)	3.74	1.7	3/8"	96.5	0.1
QE-343	1/2"(13)	800	0.65	6.5(184)	90(6.3)	9"(230)	3.96	1.8	3/8"	97.5	0.1
QE-344	1/2"(13)	800	0.60	6.5(184)	90(6.3)	8-1/4"(209)	3.74	1.7	3/8"	97.5	0.1
QE-441	1/2"(13)	1100	0.50	4.0(112)	90(6.3)	10-53/64"(270)	3.5	1.58	3/8"	90.0	3.0
QE-442	1/2"(13)	1300	0.70	4.8(135)	90(6.3)	10-53/64"(270)	3.5	1.58	3/8"	90.0	3.0
QE-443	1/2"(13)	1100	0.50	4.0(112)	90(6.3)	10-53/64"(270)	3.8	1.73	3/8"	90.0	3.0
QE-542	1/2"(13)	1300	0.70	4.8(135)	90(6.3)	11-1/64"(280)	3.8	1.73	3/8"	90.0	2.0
QE-543	1/2"(13)	1100	0.50	4.0(112)	90(6.3)	10-55/64"(276)	3.8	1.73	3/8"	90.0	2.0
QE-841	1/2"(13)	800	0.45	4.0(113)	90(6.3)	8-1/4"(210)	3.7	1.70	3/8"	83.0	0.3
QE-843	1/2"(13)	800	0.45	4.0(113)	90(6.3)	8-1/4"(210)	3.9	1.80	3/8"	83.0	0.3
QE-845	1/2"(13)	500	0.45	4.0(113)	90(6.3)	8-1/4"(210)	3.9	1.80	3/8"	83.0	0.3

# AIR DRILL



## PC-2010

ADJUSTABLE TORQUE AIR TAPPING TOOL  
Air inlet : 1/4"

## PC-901

ADJUSTABLE TORQUE AIR TAPPING ADAPTER  
HEX:8mm



For: Air Drill, Electricity Drill, Cordless Drill, Drill machine

	Capacity		
	steel	copper	aluminum
PC-2010	M3~M8	M3~M12	M3~M12
PC-901	M3~M6	M3~M8	M3~M8



## QE-231

SPOT DRILL & HOOK  
Air inlet : 1/4"

10 pieces in one carton

- 8mm drill bit included
- 6.5 .8 . 10 mm drill are available
- Adjustable chunk for esay control
- Hook is easily removed or installed.
- High quality piston improves torque and efficiency
- Common applications are remove the surface of the solder joints and will not damage steel plate.
- Maximum drill depth:4.5mm steel.3.8mm stainless



	Chuck Size	Free Speed	Motor	Avg. Air Consumption	Air Pressure	Overall Length	Net Weight		Air Hose	Sound Pressure	Vibration Level
	inch(mm)	R.P.M	hp	CFM (L/min)	PSI (bar)	Inch (mm)	LBS	kg	Inch	dBA	m/s <sup>2</sup>
QE-231	5/16"(8)	1600	0.50	6.0(170)	90(6.3)	9-1/4"(235)	4.4	2.00	3/8"	88.2	0.1

	Capacity			Free Speed	Stroke Length	Avg. Air Consumption	Air Pressure	Net Weight		Air Hose	Sound Pressure	Vibration Level
	steel	copper	aluminum	R.P.M	inch( mm )	L/cycle	PSI (bar)	LBS	kg	Inch	dBA	m/s <sup>2</sup>
PC-2010	M3~M8	M3~M12	M3~M12	150	12"(305)	6.5(184)	90(6.3)	5.4	2.45	3/8"	82	1.5

**AIR SCREWDRIIVER**

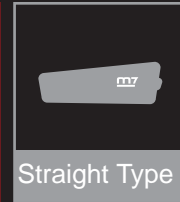
**AIR  
SCREWDRIIVER**



# AIR SCREWDRIVER



Pistol Type

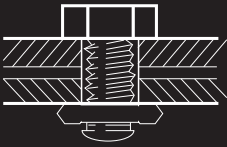
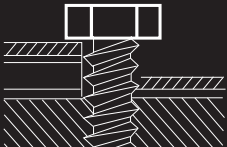

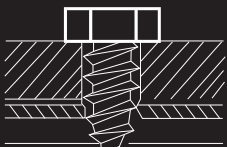


Straight Type

★★  
Excellent

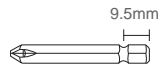
★  
Good

AIR SCREWDRIVER

Joint & Torque Curve	Clutch Type	Model Number					
		M3	M3.5	M4	M5	M6	M8
 <p>Free Running Hard stop/soft stop</p>	★★ Shut-off Screwdriver	RA-3023	RA-3017	RA-3011	RA-4008		
			RA-3123	RA-4015	RA-5005		
				RA-4021	RA-5008		
				RA-5017	RA-4108		
				RA-3111	RA-4115		
				RA-3117	RA-5015		
				RA-4121	RA-5108		
				RA-5117			
		★ Adjustable Clutch			RA-1131	RA-1151	RA-802
					RA-1132	RA-2161	RA-302
				RA-1141			
 <p>Self-Tapping Thick Material Sheet Metal</p>	★★ Adjustable Clutch			RA-1131	RA-1151	RA-802	
				RA-1132	RA-2161	RA-302	
				RA-1141			
				RA-1142			
				RA-1162			
		★ Twin Dog & Twin Hammer			RA-301		
				RA-801			
				RA-1232	RA-2242	RA-606	RA-2272
				RA-1242	RA-102	RA-201	RA-608
				RA-101		RA-110	RA-1272
 <p>Self-Tapping Plastic</p>	★★ Adjustable Clutch			RA-101C	RA-105	RA-111	
				RA-1131	RA-1151	RA-802	
				RA-1132	RA-2161	RA-302	
				RA-1141			
				RA-1142			
		★ Twin Dog			RA-1162		
				RA-301			
				RA-801			
				RA-1232	RA-2242	RA-606	RA-2272
				RA-1242	RA-102	RA-201	RA-608
 <p>Wood screws</p>	★★ Positive Clutch					RA-811	
						RA-402	
		★ Twin Dog			RA-101	RA-105	RA-1272
				RA-101C			
				RA-1232	RA-2242	RA-606	RA-2272
				RA-1242	RA-102	RA-201	RA-608



## RA-1131



**AIR SCREWDRIVER ADJUSTABLE CLUTCH**

Screw Capacity : M4

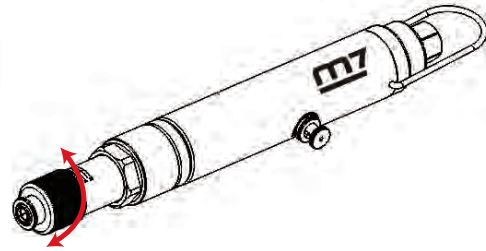
Air inlet : 1/4"

10 pieces in one carton



## Clutch Type Series

Extmal adjustment



## RA-1141



**AIR SCREWDRIVER ADJUSTABLE CLUTCH**

Screw Capacity : M4

Air inlet : 1/4"

10 pieces in one carton



## RA-2161

**AIR SCREWDRIVER ADJUSTABLE CLUTCH**

Screw Capacity : M5

Air inlet : 1/4"

10 pieces in one carton



## RA-1151



**AIR SCREWDRIVER ADJUSTABLE CLUTCH**

Screw Capacity : M5

Air inlet : 1/4"

10 pieces in one carton



## RA-801EA

**AIR SCREWDRIVER EXTERNAL ADJUSTABLE**

Air inlet : 1/4"

10 pieces in one carton



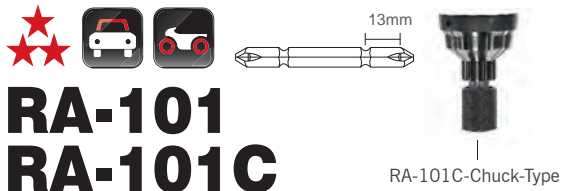
Screw Capacity : M4



	Bit Size inch(mm)	Torque Range FT-LB(Nm)	Free Speed R.P.M	Avg. Air Consumption CFM (L/min)	Air Pressure PSI (bar)	Overall Length Inch (mm)	Net Weight LBS kg	Air Hose Inch	Sound Pressure dBA	Vibration Level m/s <sup>2</sup>
RA-1131	1/4"(6.35)	0.7~2.9(1~4)	1800	4.5(127)	90(6.3)	9"(228)	1.6 0.76	3/8"	80.0	2.3
RA-1141	1/4"(6.35)	0.7~2.2(1-3)	800	4.5(127)	90(6.3)	8-7/8"(226)	1.6 0.76	3/8"	80.0	2.3
RA-1151	1/4"(6.35)	1.4~3.7(2~5)	1900	4.5(127)	90(6.3)	9-1/32"(229)	2.2 1.01	3/8"	85.0	2.3
RA-2161	1/4"(6.35)	1.4-3.7(2-5)	750	7.5(212)	90(6.3)	7-15/32"(190)	2.2 1.00	3/8"	80.0	2.0
RA-801EA	1/4"	3.8-10.4(5-14 Nm)	2100	4.0(113)	90(6.3)	9"(230)	3.0 (1.39)	3/8"	90.0	4.2

# AIR SCREWDRIVER

AIR SCREWDRIVER



## RA-101 RA-101C

**AIR SCREWDRIVER** Screw Capacity : M4  
(Twin Dog Type) Air inlet : 1/4"

20 pieces in one carton



## RA-105

**AIR SCREWDRIVER** Screw Capacity : M6  
(Twin Dog Type) Air inlet : 1/4"

20 pieces in one carton



## RA-1232

**AIR SCREWDRIVER** Screw Capacity : M4  
(Twin Dog Type) Air inlet : 1/4"

12 pieces in one carton



## RA-1272

**AIR SCREWDRIVER** Screw Capacity : M8  
(Twin Dog Type) Air inlet : 1/4"

12 pieces in one carton



## IMPACT TYPE SERIES



Twin Dog Type



## RA-102

**AIR SCREWDRIVER** Screw Capacity : M5  
(Twin Dog Type) Air inlet : 1/4"

20 pieces in one carton



## RA-110

**AIR SCREWDRIVER** Screw Capacity : M6  
(Twin Hammer Type) Air inlet : 1/4"

20 pieces in one carton



## RA-1242

**AIR SCREWDRIVER** Screw Capacity : M4  
(Twin Dog Type) Air inlet : 1/4"

12 pieces in one carton



## RA-606

**AIR SCREWDRIVER** Screw Capacity : M6  
(Twin Dog Type) Air inlet : 1/4"

12 pieces in one carton





## RA-608

**AIR SCREWDRIVER**  
(Twin Dog Type)

12 pieces in one carton



Screw Capacity : M8  
Air inlet : 1/4"



## RA-201

**AIR SCREWDRIVER** Screw Capacity : M8  
(Twin Dog Type) Air inlet : 1/4"

12 pieces in one carton



## RA-2242

**AIR SCREWDRIVER** Screw Capacity : M5  
(Twin Dog Type) Air inlet : 1/4"

12 pieces in one carton



## RA-2272

**AIR SCREWDRIVER** Screw Capacity :  
(Twin Dog Type) M8 Air inlet : 1/4"

12 pieces in one carton



	Bit Size inch(mm)	Torque Range FT-LB(Nm)	Free Speed R.P.M	Avg. Air Consumption CFM (L/min)	Air Pressure PSI (bar)	Overall Length Inch (mm)	Net Weight LBS kg	Air Hose Inch	Sound Pressure dBA	Vibration Level m/s <sup>2</sup>
RA-101	1/4"(6.35)	3.7-8.9(5-12)	9000	6.0(170)	90(6.3)	6-1/2"(166)	1.32 0.6	3/8"	85.7	2.2
RA-102	1/4"(6.35)	3.7-10.3(5-14)	9000	6.0(170)	90(6.3)	6-3/4"(172)	1.54 0.7	3/8"	86.7	3.7
RA-105	1/4"(6.35)	3.7-16.2(5-22)	8500	8.5(241)	90(6.3)	8-1/4"(208)	2.20 1.0	3/8"	96.7	4.9
RA-110	1/4"(6.35)	3.7-29.5(5-40)	8500	8.5(241)	90(6.3)	8-1/4"(208)	2.20 1.0	3/8"	96.7	4.9
RA-1232	1/4"(6.35)	11~22 (15-30)	9000	4.5(127)	90(6.3)	7-11/16"(195)	1.47 0.67	3/8"	80.0	3.2
RA-1242	1/4"(6.35)	14~22 (19~30)	12500	5.0(141)	90(6.3)	6-11/16"(170)	1.25 0.57	3/8"	89.0	3.9
RA-1272	1/4"(6.35)	44-177(60-240)	8000	9.0(254)	90(6.3)	7-27/32"(200)	2.30 1.06	3/8"	97.0	5.1
RA-201	1/4"(6.35)	3.7-18.5(5-25)	10000	9.0(255)	90(6.3)	7"(180)	2.65 1.2	3/8"	93.0	5.3
RA-606	1/4"(6.35)	3.7-33.2(5-45)	8000	5.6(160)	90(6.3)	7-4/5"(198)	2.2 1.0	3/8"	82.0	2.2
RA-608	1/4"(6.35)	3.7-42.8(5-58)	8000	4.6(130)	90(6.3)	8-9/16"(217)	2.86 1.3	3/8"	86.0	3.5
RA-2242	1/4"(6.35)	18~26(24.4-35.2)	13000	7.0(198)	90(6.3)	5-15/16"(150)	2.0 0.9	3/8"	88.0	2.7
RA-2272	1/4"(6.35)	44~177(59-240)	7700	8.5(240)	90(6.3)	7-11/16"(195)	3.0 1.38	3/8"	93.0	4.9

# AIR SCREWDRIVER



## RA-1132

**AIR SCREWDRIVE ADJUSTABLE CLUTCH**

Screw Capacity : M4

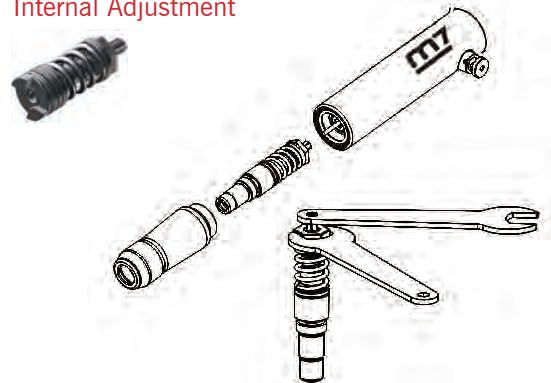
Air inlet : 1/4"

10 pieces in one carton



## Clutch Type Series

Internal Adjustment



- Clockwise direction to increase torque
- Counterclockwise direction to decrease torque



## RA-1142

**AIR SCREWDRIVE ADJUSTABLE CLUTCH**

Screw Capacity : M4

Air inlet : 1/4"

10 pieces in one carton



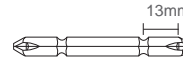
## RA-1162

**AIR SCREWDRIVE ADJUSTABLE CLUTCH**

Screw Capacity : M6

Air inlet : 1/4"

10 pieces in one carton



## RA-301

**AIR SCREWDRIVE  
ADJUSTABLE CLUTCH**

Screw Capacity : M4

Air inlet : 1/4"

9.5mm



10 pieces in one carton



## RA-302

**AIR SCREWDRIVE  
ADJUSTABLE CLUTCH**

Screw Capacity : M6

Air inlet : 1/4"

9.5mm



10 pieces in one carton

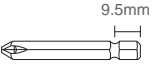




## RA-801

**AIR SCREWDRIVE  
ADJUSTABLE CLUTCH**

Screw Capacity : M4  
Air inlet : 1/4"



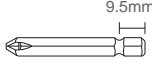
10 pieces in one carton



## RA-802

**AIR SCREWDRIVE  
ADJUSTABLE CLUTCH**

Screw Capacity : M6  
Air inlet : 1/4"



10 pieces in one carton

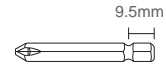
## Positive Clutch Type Non - Adjustable



## RA-402

**AIR SCREWDRIVE  
(Positive Clutch Type)**

Screw Capacity : M6  
Air inlet : 1/4"



10 pieces in one carton



## RA-811

**AIR SCREWDRIVE  
(Positive Clutch Type)**

Screw Capacity : M6  
Air inlet : 1/4"



10 pieces in one carton

	Bit Size inch(mm)	Torque Range FT-LB(Nm)	Free Speed R.P.M	Avg. Air Consumption CFM (L/min)	Air Pressure PSI (bar)	Overall Length Inch (mm)	Net Weight LBS kg		Air Hose Inch	Sound Pressure dBA	Vibration Level m/s <sup>2</sup>
RA-1132	1/4"(6.35)	0.7~2.2(1-3)	2200	6.0(170)	90(6.3)	9-7/32"(235)	1.7	0.8	3/8"	80.0	2.3
RA-1142	1/4"(6.35)	0.7~2.2(1-3)	1700	5.0(141)	90(6.3)	9-7/32"(235)	1.34	0.61	3/8"	80.0	2.0
RA-1162	1/4"(6.35)	1.5~5.9(2-8)	600	6.0(170)	90(6.3)	10-7/16"(265)	2.1	0.95	3/8"	90.0	2.2
RA-301	1/4"(6.35)	3.8-10(5-13.5)	1800	6.0(170)	90(6.3)	7-1/2"(190)	2.40	1.1	3/8"	95.3	4.2
RA-302	1/4"(6.35)	3.8-12(5-16.3)	800	6.0(170)	90(6.3)	9"(226)	2.80	1.3	3/8"	96.5	2.2
RA-801	1/4"(6.35)	3.8-10.4(5-14)	1800	4.0(113)	90(6.3)	7-3/4"(195)	2.70	1.2	3/8"	83.0	4.2
RA-802	1/4"(6.35)	3.8-13.3(5-18)	800	4.0(113)	90(6.3)	8-9/32"(210)	2.80	1.3	3/8"	83.0	4.2
RA-402	1/4"(6.35)	5-14(6~19)	2200	3.9(111)	90(6.3)	7-3/32"(180)	2.47	1.1	3/8"	91.0	2.3
RA-811	1/4"(6.35)	5.0-13.0(6-17)	2100	4.0(113)	90(6.3)	7"(178)	2.50	1.13	3/8"	83.0	3.7

# AIR SCREWDRIVER

AIR SCREWDRIVER

## ZT-31

DIGITAL TORQUE TESTER  
Torque Range 0~14.7Nm



Torque Control or Shut-off



## RA-31/RA-41 RA-51 SERIES

SHUT-OFF SCREWDRIVER  
Air inlet : 1/4"



## RA-30/RA-40/RA-50 SERIES SHUT-OFF SCREWDRIVER

SHUT-OFF SCREWDRIVER  
Air inlet : 1/4"

- Proved by the life-time tester, these items can be operated continuously up to 1.5 million times.
- Industrial grade, excellent for long continuous operation on various mass production lines..
- Low noise and vibration rate, high adjustable accuracy up to + - 5%.



20 pieces in one carton

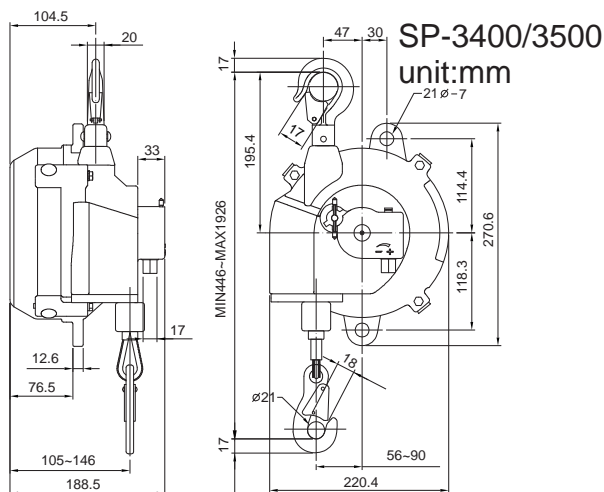
	Chuck Size inch(mm)	Torque Range IN-LB(N,m)	Free Speed R.P.M	Avg. Air Consumption CFM (L/min)	Air Pressure PSI (bar)	Overall Length Inch (mm)	Net Weight LBS kg	Air Hose Inch	Sound Pressure dBA	Vibration Level m/s <sup>2</sup>
RA-3011	1/4"(6.35)	9.7-18.5(1.1-2.1)	1100	3.2(90.2)	90(6.3)	7-3/8"(187)	0.94 0.42	1/4"	70.0	2.0
RA-3017	1/4"(6.35)	6.2-13.2(0.7-1.5)	1700	3.2(90.2)	90(6.3)	7-3/8"(187)	0.94 0.42	1/4"	70.0	2.0
RA-3023	1/4"(6.35)	3.5-8.8(0.4-1.0)	2300	3.2(90.2)	90(6.3)	7-3/8"(187)	0.94 0.42	1/4"	70.0	2.0
RA-4008	1/4"(6.35)	14.1-35.4(1.6-4.0)	800	3.7(104.3)	90(6.3)	8-1/4"(209)	1.43 0.65	1/4"	74.0	2.5
RA-4015	1/4"(6.35)	8.8-19.4(1.0-2.2)	1500	3.7(104.3)	90(6.3)	8-1/4"(209)	1.43 0.65	1/4"	74.0	2.5
RA-4021	1/4"(6.35)	8.8-13.2(1.0-1.7)	2100	3.7(104.3)	90(6.3)	8-1/4"(209)	1.43 0.65	1/4"	74.0	2.5
RA-5005	1/4"(6.35)	44.2-92.9(5.0-10.5)	480	4.0(112.8)	90(6.3)	9-1/2"(240)	2.2 1.0	3/8"	75.0	10
RA-5008	1/4"(6.35)	26.5-48.6(3.0-5.5)	800	4.0(112.8)	90(6.3)	9-1/2"(240)	2.2 1.0	3/8"	75.0	10
RA-5017	1/4"(6.35)	13.2-23.0(1.5-2.6)	1700	4.0(112.8)	90(6.3)	9-1/2"(240)	2.2 1.0	3/8"	75.0	10
RA-3111	7/64"(2.6)	9.7-18.5(1.1-2.1)	1100	7.0(198)	90(6.3)	6-11/16"(170)	1.57 0.71	1/4"	82.0	0.73
RA-3117	1/4"(6.35)	6.2-13.2(0.7-1.5)	1700	7.0(198)	90(6.3)	6-11/16"(170)	1.57 0.71	1/4"	84.0	1.51
RA-3123	1/4"(6.35)	3.5-8.8(0.4-1.0)	2300	7.0(198)	90(6.3)	6-11/16"(170)	1.57 0.71	1/4"	84.0	1.34
RA-4108	1/4"(6.35)	14.1-35.2(1.6-4.0)	800	10.5(297)	90(6.3)	6-15/16"(175)	1.92 0.87	1/4"	87.5	1.18
RA-4115	1/4"(6.35)	8.8-19.4(1.0-2.2)	1500	10.5(297)	90(6.3)	6-15/16"(175)	1.92 0.87	1/4"	85.5	1.59
RA-4121	1/4"(6.35)	8.8-13.2(1.0-1.7)	2100	10.5(297)	90(6.3)	6-15/16"(175)	1.92 0.87	1/4"	86.8	1.61
RA-5105	1/4"(6.35)	44-92.4(5.0-10.5)	480	17.5(496)	90(6.3)	7-4/5"(198)	2.65 1.20	1/4"	93.1	0.48
RA-5108	1/4"(6.35)	26.4-48.4(3.0-5.5)	800	17.5(496)	90(6.3)	7-4/5"(198)	2.65 1.20	1/4"	93.6	0.93
RA-5117	1/4"(6.35)	13.2-23(1.5-2.6)	1700	17.5(496)	90(6.3)	7-4/5"(198)	2.65 1.20	1/4"	93.6	1.35

# SPRING BALANCER

## SP-3400 SP-3500

SPRING BALANCER  
2 pieces in one carton

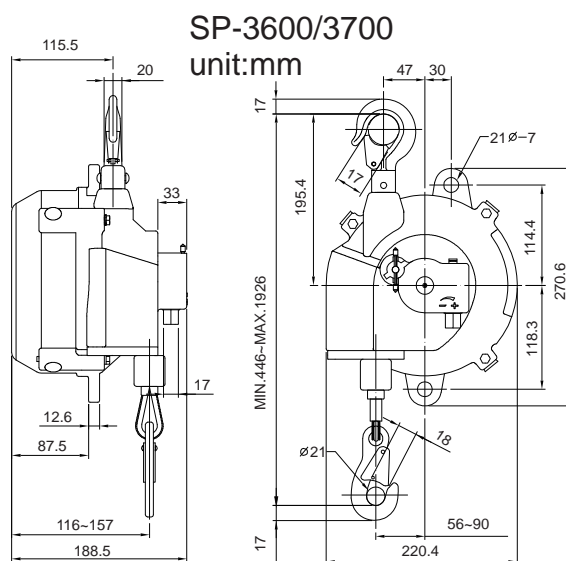
- Spiral design.
- Increasing screw diameter is balanced by increasing spring force so that the output force is balanced and the tool stops at wherever it is pulled.



## SP-3600 SP-3700

SPRING BALANCER  
2 pieces in one carton

- Spiral design.
- Increasing screw diameter is balanced by increasing spring force so that the output force is balanced and the tool stops at wherever it is pulled.



	Capacity Kg	Travel m	Rope	Rope Dia mm	Weight kg
SP-3400	30.0~40.0	1.5	Cable	4.8	9.7
SP-3500	40.0~50.0	1.5	Cable	4.8	10.1
SP-3600	50.0~60.0	1.5	Cable	4.8	11.1
SP-3700	60.0~70.0	1.5	Cable	4.8	11.4



**SP-101/102**  
**SP-103/104**  
**SP-105/111**  
**SP-112/113**

SPRING BALANCER

30 pieces in one carton



**SP-212**  
**SP-213**

SPRING BALANCER

30 pieces in one carton



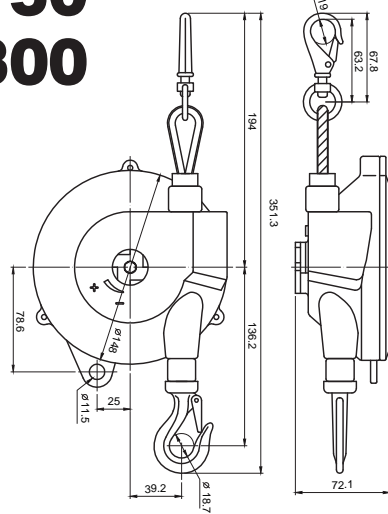
**SP-3050/3070**  
**SP-3090/3150**  
**SP-3320/3300**

SPRING BALANCER

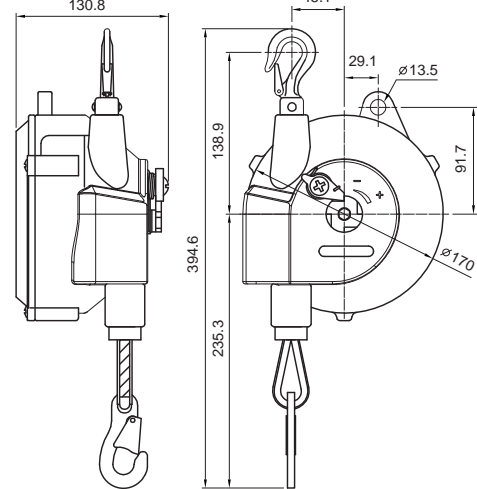
2 pieces in one carton



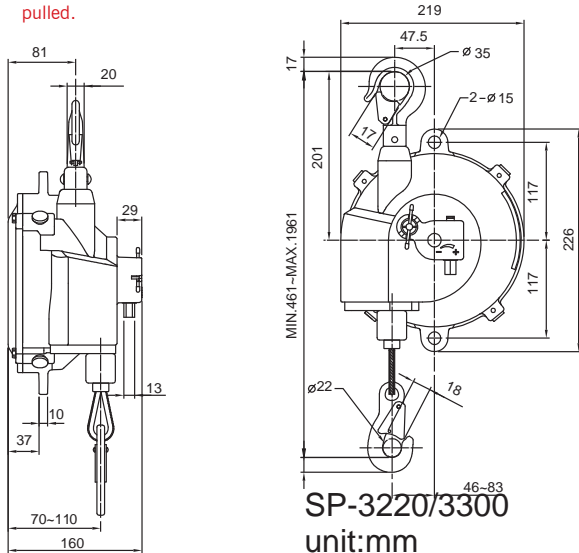
SP-3050-3070  
unit:mm



SP-3090-3150  
unit:mm



- Spiral design.
- Increasing screw diameter is balanced by increasing spring force so that the output force is balanced and the tool stops at wherever it is pulled.



	Capacity Kg	Travel m	Rope	Rope Dia mm	Weight kg
SP-101	0.3-0.8	1.6	Cable	2.5	0.49
SP-102	0.6-1.5	1.6	Cable	2.5	0.52
SP-103	1.0-2.0	1.6	Cable	2.5	0.53
SP-104	1.5-3.0	1.5	Cable	3.2	0.76
SP-105	3.0-5.0	1.5	Cable	3.2	0.81
SP-111	0.3-0.8	1.6	Nylon	2.5	0.49
SP-112	0.6-1.5	1.6	Nylon	2.5	0.52
SP-113	1.0-2.0	1.6	Nylon	2.5	0.53
SP-212	0.3-1.2	1.6	Nylon	4.0	0.57
SP-213	0.8-2.0	1.6	Nylon	4.0	0.57
SP-3050	3.0-5.0	1.3	Cable	3.2	1.82
SP-3070	5.0-7.0	1.3	Cable	3.2	1.85
SP-3090	5.0-9.0	1.3	Cable	4.0	3.59
SP-3150	9.0-15.0	1.3	Cable	4.0	3.61
SP-3220	15.0-22.0	1.3	Cable	4.8	7.7
SP-3300	22.0-30.0	1.3	Cable	4.8	8.3

**AIR HAMMER**



**AIR  
HAMMER**

**AUTHENTIC POWER 105**

# AIR HAMMER



## SC-331C

AIR HAMMER ROUND SHANK

## SC-341C

AIR HAMMER HEX SHANK

LOW VIBRATION AIR HAMMER

SC-4 chisel kit is provided along with the tool.

Air inlet : 1/4"

10 pieces in one carton



- Vibration-reduced grip
- Reduce vibration by controlling air passage



## SC-332C

## SC-342C

LOW VIBRATION AIR HAMMER  
AIR HAMMER ROUND SHANK  
AIR HAMMER HEX SHANK

SC-4 chisel kit is provided along with the tool.

Air inlet : 1/4"

10 pieces in one carton



## SC-211C

## SC-221C

AIR HAMMER ROUND SHANK  
AIR HAMMER HEX SHANK

SC-4 chisel kit is provided along with the tool.

Air inlet : 1/4"

10 pieces in one carton



## SC-212C

## SC-222C

AIR HAMMER ROUND SHANK  
AIR HAMMER HEX SHANK

Air inlet : 1/4"

SC-4 chisel kit is provided along with the tool.

10 pieces in one carton



## SN-1032

AIR FLUX CHIPPER

Air inlet : 1/4"



include the chisel

## SC-05C[SET]/06C[SET]

- 1pc- Air Hammer (Various Selections)
- 5pcs-Chisel Kits
- 1pc- Spring Retainer

Item No.	Shank	Contents
SC-0517C	Round Shank	SC-211C
SC-0527C	Round Shank	SC-212C
Item No.	Shank	Contents
SC-0617C	Hex Shank	SC-221C
SC-0627C	Hex Shank	SC-222C

5 pieces in one carton



## SC-33C/34C

NEEDLE SCALER ADAPTOR FOR AIR HAMMER TOOLS USE ROUND / HEX

19pcs  $\varnothing 3\text{mm} \times 180\text{mm}$

Item No.	Shank	Contents
SC-33C	Round Shank	SC-211
SC-34C	Hex Shank	SC-221

20 pieces in one carton

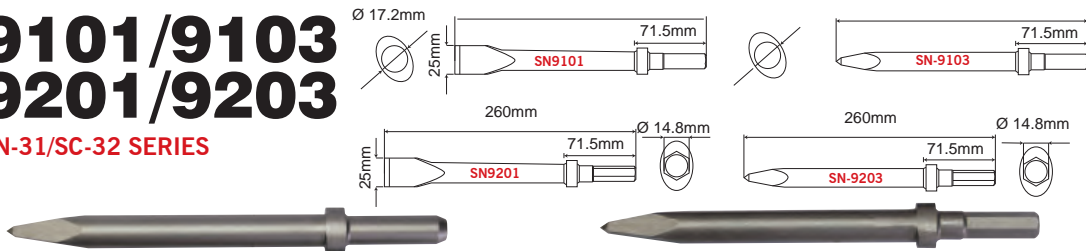


● SC-33C - / Round ● SC-34C - / Hex



## SN-9101/9103 SN-9201/9203

Chisel For SN-31/SC-32 SERIES



	Shank	Chuck Size	Stroke Length	Blow Minute	Avg. Air Consumption	Air Pressure	Overall Length	Net Weight		Air Hose	Sound Pressure	Vibration Level
		inch(mm)	mm	bpm	CFM (L/min)	PSI (bar)	Inch (mm)	LBS	kg	Inch	dBA	m/s <sup>2</sup>
	● ● ●											
SC-211C	●	0.401(10.2)	67	3200	4.0(113)	90(6.3)	6-7/8"(175)	3.7	1.7	3/8"	98.0	12.3
SC-221C	●	0.393(10)	67	3200	4.0(113)	90(6.3)	6-7/8"(175)	3.7	1.7	3/8"	98.0	12.3
SC-212C	●	0.401(10.2)	89	2200	4.0(113)	90(6.3)	8-7/8"(225)	4.4	2.0	3/8"	94.7	13.2
SC-222C	●	0.393(10)	89	2200	4.0(113)	90(6.3)	8-7/8"(225)	4.4	2.0	3/8"	94.7	13.2
SC-331C	●	0.401(10.2)	71	3000	7.8(113)	90(6.3)	7-31/64"(190)	3.7	1.7	3/8"	92.0	9.5
SC-332C	●	0.401(10.2)	92	2200	8.2(232)	90(6.3)	8-63/64"(228)	4.4	2.0	3/8"	94.0	10.6
SC-341C	●	0.401(10.2)	71	3000	4.0(113)	90(6.3)	8-7/8"(190)	4.4	2.0	3/8"	94.7	10.6
SC-342C	●	0.393(10)	92	2200	4.0(113)	90(6.3)	8-63/64"(228)	4.4	2.0	3/8"	94.7	10.6
SN-1032	■	0.51(13)	33	4000	4.23(120)	90(6.3)	11-1/2"(290)	2.9	1.33	3/8"	91.0	14.5

# AIR HAMMER

AIR HAMMER



**SN-3111C/3112C**  
**SN-3113C/3114C**

AIR CHIPPING HAMMER

Round Shank

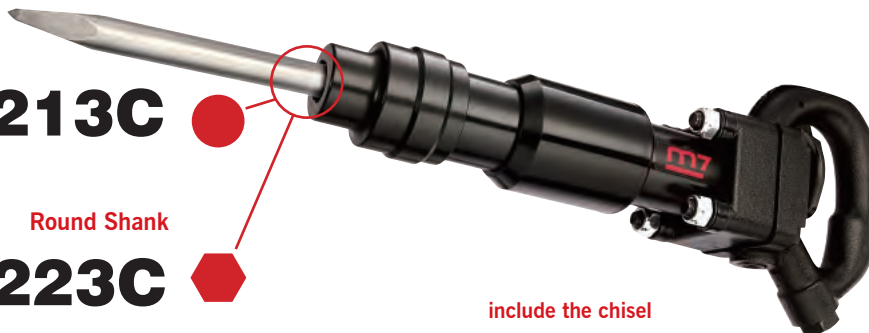


include the chisel

**SN-3121C/3122C**  
**SN-3123C/3124C**

AIR CHIPPING HAMMER

Hex Shank



include the chisel



**SN-3212C/3213C**  
**SN-3214C**

AIR CHIPPING HAMMER

Round Shank

**SN-3222C/3223C**  
**SN-3224C**

AIR CHIPPING HAMMER

Hex Shank



**SN-1268**

AIR NEEDLE SCALER

Air inlet : 1/4"

10 pieces in one carton



**SN-1288**

AIR NEEDLE SCALER

Air inlet : 1/4"

10 pieces in one carton



**SN-1368**

AIR NEEDLE SCALER

Air inlet : 1/4"

10 pieces in one carton



- Strengthened internal parts to raise lifespan
- Strengthened front casing mechanism, not tend to wear out
- Quick accessory change for needles
- Adjust spring easily and effortlessly

**50%**  
longer  
lifetime

**10%**  
more  
Powerful



## SN-2124

AIR PISTOL GRIP NEEDLE SCALER  
Air inlet : 1/4"



10 pieces in one carton



## SN-2128

AIR PISTOL GRIP NEEDLE SCALER  
Air inlet : 1/4"



10 pieces in one carton



## SN-2110

AIR PISTOL GRIP NEEDLE SCALER  
Air inlet : 1/4"



10 pieces in one carton

	Shank	Chuck Size	Stroke Length	Blow Minute	Avg. Air Consumption	Air Pressure	Overall Length	Net Weight		Air Hose	Sound Pressure	Vibration Level
		inch(mm)	mm	bpm	CFM (L/min)	PSI (bar)	Inch (mm)	LBS	kg	Inch	dBA	m/s <sup>2</sup>
SN-3111C	●	0.68(17.2)	75	2500	10.0(283)	90(6.3)	15-1/2"(395)	15.4	7.0	1/2"	115.3	8.0
SN-3121C	⬡	0.58(14.8)	75	2500	10.0(283)	90(6.3)	15-1/2"(395)	15.4	7.0	1/2"	115.3	8.0
SN-3112C	●	0.68(17.2)	90	2300	20.0(566)	90(6.3)	16"(405)	16.1	7.3	1/2"	114.3	9.4
SN-3122C	⬡	0.58(14.8)	90	2300	20.0(566)	90(6.3)	16"(405)	16.1	7.3	1/2"	114.3	9.4
SN-3113C	●	0.68(17.2)	127	2000	22.0(622.6)	90(6.3)	17-3/4"(450)	17.6	8.0	1/2"	113.3	4.8
SN-3123C	⬡	0.58(14.8)	127	2000	22.0(622.6)	90(6.3)	17-3/4"(450)	17.6	8.0	1/2"	113.3	4.8
SN-3114C	●	0.68(17.2)	154	1600	24.0(679.2)	90(6.3)	18-1/2"(470)	18.3	8.3	1/2"	114.1	6.2
SN-3124C	⬡	0.58(14.8)	154	1600	24.0(679.2)	90(6.3)	18-1/2"(470)	18.3	8.3	1/2"	114.1	6.2
SN-3212C	●	0.68(17.2)	78	2300	20.0(566)	90(6.3)	14-5/8"(373)	17.2	7.8	1/2"	114.3	9.4
SN-3222C	⬡	0.58(14.8)	78	2300	20.0(566)	90(6.3)	14-5/8"(373)	17.2	7.8	1/2"	114.3	9.4
SN-3213C	●	0.68(17.2)	119	1900	22.0(622.6)	90(6.3)	16-1/2"(419)	18.7	8.5	1/2"	113.3	4.8
SN-3223C	⬡	0.58(14.8)	119	1900	22.0(622.6)	90(6.3)	16-1/2"(419)	18.7	8.5	1/2"	113.3	4.8
SN-3214C	●	0.68(17.2)	142	1700	24.0(679.2)	90(6.3)	17-1/2"(445)	19.4	8.8	1/2"	114.1	6.2
SN-3224C	⬡	0.58(14.8)	142	1700	24.0(679.2)	90(6.3)	17-1/2"(445)	19.4	8.8	1/2"	114.1	6.2
	Needle Diameter	Numbers of Needle	Stroke Length	Blow Per Minute	Avg. Air Consumption	Air Pressure	Overall Length	Net Weight		Air Hose	Sound Pressure	Vibration Level
	mm	inch(mm)	mm	bpm	CFM (L/min)	PSI (bar)	Inch (mm)	LBS	kg	Inch	dBA	m/s <sup>2</sup>
SN-1268	3x180	19	28	4600	15(424)	90(6.3)	18-1/8"(460)	6.1	2.80	3/8"	91.0	13.7
SN-1288	3x125	12	32	5500	3(84.96)	90(6.3)	11-3/8"(290)	2.8	1.30	3/8"	86.0	7.6
SN-1368	3x180	19	27	3400	16(453)	90(6.3)	17"(430)	5.9	2.70	3/8"	91.0	13.7
SN-2110	3x180	19	33	3700	15(424)	90(6.3)	13"(330)	6.1	2.80	3/8"	97.0	9.7
SN-2128	3x180	28	28	3500	7.4(198)	90(6.3)	13-9/16"(335)	6.2	2.80	3/8"	100.0	8.1
SN-2124	3x180	24	27	4000	7.4(209)	90(6.3)	13-9/16"(350)	7.9	3.60	3/8"	99.0	14.8

**AIR HYDRAULIC RIVETER**

# **AIR HYDRAULIC RIVETER**



RIVET	MATERIAL		RIVET DIAMETER(ØMM)						
	RIVET	MANDREL	(2.5) 2.4	(3.0) 3.2	4.0	(5.0) 4.8	6.4	7.2	8.0
<b>PA-111</b>	aluminum	aluminum							
	aluminum	steel							
	steel	steel							
	stainless	steel							
<b>PA-201</b>	stainless	stainless							
	aluminum	aluminum							
	aluminum	steel							
	steel	steel							
<b>PA-201V</b>	stainless	steel							
	aluminum	aluminum							
	aluminum	steel							
	steel	steel							
<b>PA-211</b>	stainless	steel							
	aluminum	aluminum							
	aluminum	steel							
	steel	steel							
<b>PA-301</b>	stainless	steel							
	aluminum	aluminum							
	aluminum	steel							
	steel	steel							
<b>PA-301V</b>	stainless	steel							
	aluminum	aluminum							
	aluminum	steel							
	steel	steel							
<b>PA-321</b>	stainless	steel							
	aluminum	aluminum							
	aluminum	steel							
	steel	steel							
<b>PA-202</b>	stainless	steel							
	aluminum	aluminum							
	aluminum	steel							
	steel	steel							
<b>PA-312</b>	stainless	steel							
	aluminum	aluminum							
	aluminum	steel							
	steel	steel							
<b>PA-401V</b>	stainless	steel							
	aluminum	aluminum							
	aluminum	steel							
	steel	steel							
<b>PA-211TS</b>	stainless	steel							
	aluminum	aluminum							
	aluminum	steel							
	steel	steel							



### Hydraulic cylinder Recommended Oil

- SHELL Tellus NO.46
- ESSO Teresso NO.46
- MOBIL D.T.E 25 oil
- USM Spec NO.300B Oil
- CPC Circulation Oil R68

	Rivet (D1)	Mandrel (L1)	Rivet Dia. (Ø)
<b>Blind Rivet</b>	2.4mm	above27mm	1.42~1.51(G2)
	3.2mm	above28mm	1.83~1.92(G2)
	4.0mm	above29mm	2.28~2.42(G2)
	4.8mm	above30mm	2.64~2.91(G2)
<b>PA-211TS</b>	6.4mm	above30mm	3.84~4.15(G2)
	8.0mm	above40mm	4.35~4.65(G2)



# AIR HYDRAULIC RIVETER

AIR HYDRAULIC RIVETER

## PA-MC

AUTOMATIC MANDREL COLLECTION

### CONTENTS

3/32" (2.4mm) 220pcs  
 1/8" (3.2mm) 160pcs  
 5/32" (4.0mm) 110pcs  
 3/16" (4.8mm) 80pcs



## PE-MC

AUTOMATIC MANDREL COLLECTION



## PA-111

AIR HYDRAULIC RIVETER Air inlet : 1/4"

4 pieces in one carton



## PA-201

AIR HYDRAULIC RIVETER Air inlet : 1/4"

6 pieces in one carton



## PA-211

AIR HYDRAULIC RIVETER Air inlet : 1/4"

6 pieces in one carton



## PA-301

AIR HYDRAULIC RIVETER Air inlet : 1/4"

10 pieces in one carton



## PA-321

AIR HYDRAULIC RIVETER Air inlet : 1/4"

6 pieces in one carton



## PA-201V

AIR HYDRAULIC RIVETER Air inlet : 1/4"  
 Vacuum Type

6 pieces in one carton





## PA-301V

AIR HYDRAULIC RIVETER Air inlet : 1/4"  
Vacuum Type

6 pieces in one carton



## PA-401V

AIR HYDRAULIC RIVETER Air inlet : 1/4"  
Vacuum Type

6 pieces in one carton



## PA-202

AIR HYDRAULIC RIVETER Air inlet : 1/4"  
Vacuum Type

6 pieces in one carton



## PA-312

AIR HYDRAULIC RIVETER  
Vacuum Type  
Air inlet : 1/4"

6 pieces in one carton



**NEW**



## PA-203

AIR HYDRAULIC RIVETER  
Air inlet : 1/4"

6 pieces in one carton



	Traction Power lb.-f/(kg.-f)	Stroke Length mm	Capacity mm	Air Pressure PSI (bar)	Avg. Air Consumption L/cycle	Net Weight LBS kg	Air Hose Inch	Sound Pressure dBA	Vibration Level m/s <sup>2</sup>
PA-111	4100(1860)	26	4.8-6.4	90(6.3)	2.88	6.6 3.00	3/8"	82.0	0.8
PA-201	3534(1603)	14	2.4-6.4	90(6.3)	2.32	3.9 1.80	3/8"	79.7	0.5
PA-211	3748(1700)	18	2.4-6.4	90(6.3)	2.9	3.8 1.75	3/8"	79.7	0.8
PA-301	2303(1045)	16	2.4-4.8	90(6.3)	1.48	3.3 1.50	3/8"	79.7	0.3
PA-321	2612(1185)	22	2.4-4.8	90(6.3)	1.48	3.3 1.50	3/8"	79.7	0.4
PA-201V	3534(1603)	14	2.4-6.4	90(6.3)	2.32	3.9 1.79	3/8"	79.7	0.5
PA-301V	2303(1045)	16	2.4-4.8	90(6.3)	1.48	3.3 1.50	3/8"	79.7	0.3
PA-401V	1532(695)	16	2.4-4.0	90(6.3)	0.67	2.5 1.25	3/8"	79.7	0.3
PA-202	2460(1200)	14	3.2-6.4	90(6.3)	1.8	4.2 1.91	3/8"	79.7	0.3
PA-312	1983(900)	18	2.4-4.8	90(6.3)	1.8	3.8 1.74	3/8"	75.3	0.4
PA-203	2640(1200)	16	3.2-6.4	90(6.3)	1.48	3.3 1.50	3/8"	79.7	0.5

# AIR HYDRAULIC RIVETER

AIR HYDRAULIC RIVETER



## PA-211TS

AIR HYDRAULIC RIVETER  
Air inlet : 1/4"

4 pieces in one carton



## PB-2402

AIR HYDRAULIC RIVET NUT TOOL  
Air inlet : 1/4"

6 pieces in one carton



## PB-1305 PB-1308 PB-1310

AIR RIVET NUT TOOL  
Air inlet : 1/4"

12 pieces in one carton

- Automatic mechanism to quickly push up and pull back rivet.
- Quick release clip design to change spindle easily.
- Two trigger design for quick forward/reverse operation.



## PB-1312

AIR RIVET NUT TOOL  
Air inlet : 1/4"

12 pieces in one carton



	Traction Power lb.-f/(kg.-f)	Free Speed R.P.M	Stroke Length mm	Capacity mm	Air Pressure PSI (bar)	Avg. Air Consumption L/cycle	Net Weight LBS	kg	Air Hose Inch	Sound Pressure dBA	Vibration Level m/s <sup>2</sup>
PB-1305	----	1200	----	M3.M4.M5	90(6.3)	7.8	2.42	1.10	3/8"	86.0	1.6
PB-1308	----	600	----	M6.M8	90(6.3)	7.8	2.86	1.30	3/8"	86.0	1.6
PB-1310	----	400	----	M8.M10	90(6.3)	7.8	2.80	1.30	3/8"	86.0	1.6
PB-1312	----	400	----	M10~M12	90(6.3)	7.8	2.79	1.28	3/8"	86.0	1.6
PB-2402	3638(1650)	----	9	Steel M4~M10 Stainless M4~M8	90(6.3)	1.50	3.40	1.55	3/8"	82.0	0.8
PA-211TS	3748(1700)	----	18	6.4 & 8.0	90(6.3)	2.90	3.80	1.75	3/8"	79.7	0.8

# RIVETER ADAPTOR

# RIVET NUT ADAPTOR

## PA-9048PT

Riveter Adaptor

## PA48PB06T

Riveter Adaptor + Rivet Nut Adaptor

## PB-9006PT

Rivet Nut Adaptor

## Safety Note

Please note the following safety notes to avoid malfunctions, damage or physical injury:

- Please observe all safety notes of the used driving tool (drill)
- Always switch off the driving tool and pull off the power plug before maintaining the blind Riveting attachment, e.g. changing the nosepieces or when not in use.
- Only use the blind bolting attachment as indicated in this manual for setting blind Rivets. The unit is not designed for continuous, professional use.
- Always secure the work piece.
- Do not wear loose, clothing or jewellery. Tie up hair or clothing cannot get into moving parts.
- Persons with limited physical, sensorial or mental abilities are not allowed to use the unit, unless they are supervised for their safety by a qualified person or are briefed by the responsible person how to use the unit.
- Only use the blind Riveting attachment with the included nosepieces.
- Should the unit become damaged do not use it and have it repaired by a professional or contact our customer support department. Do not disassemble the unit or try repairing it yourself.
- Do not continue using the unit if it was damaged or the unit was dropped down. Please contact our customer support service.

# RIVETER ADAPTOR RIVET NUT ADAPTOR

## PA-9048

4.8mm (3/16") RIVETER ADAPTOR M6 RIVET NUT ADAPTOR

## PA-9064

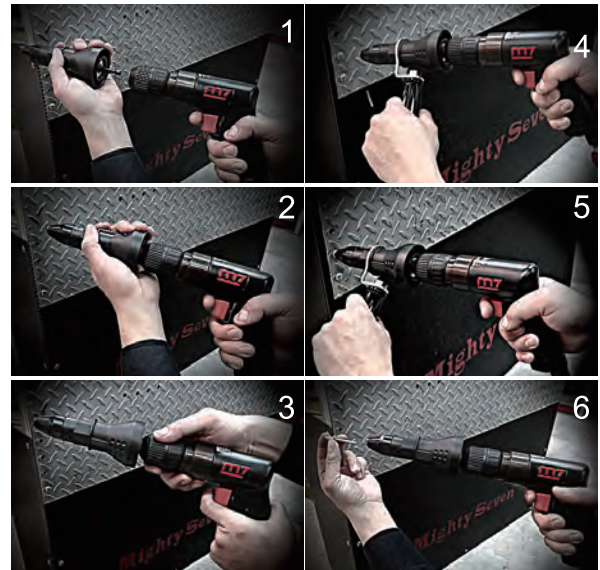
6.35mm (1/4") RIVETER ADAPTOR M10 RIVET NUT ADAPTOR

## PB-9006

## PB-9010

### ASSEMBLING AND USING BEFORE FIRST USE

Remove the unit and the accessory out of the packaging . keep packaging materials Out of reach of children.there is risk of suffocation



### TECHNICAL DATA

#### PA-9064

Dimensions	59mm x173mm(2-11/32 x 6-3/4 inch)
Net Weight	330g=0.73 lbs
Gross Weight	500g=1.10 lbs
Nosepiece	3.2mm(1/8), 4.0mm(5/32)
Nosepiece	4.8mm(3/16),6.4mm(1/4)
Hex Shank	1/4" (6.35 mm)
Cordless Drill	14.4V ,18V
Cordless Drive	14.4V ,18V
Reversible electric	1/2"Drill
Reversible pneumatic	1/2"Drill
Min. Torque Strength	50 Nm = 37 ft/lbs
Max. rpm	1,000 rpm

1. Hex Shank	1/4 (6.35 mm)
2. Housing	PA+GF
3. Nosepiece	3.2, 4.0, 4.8, 6.4mm
4. Sight Window	Blind Rivet Loading
5. Wrench	1PC
6. Handle	1PC

#### PA-9048

Dimensions	59mm x158mm(2-11/32 x 6-3/16 inch)
Net Weight	318g=0.70 lbs
Gross Weight	368g=0.81 lbs
Nosepiece	2.4mm(3/32),3.2mm(1/8)
Nosepiece	4.0mm(5/32),4.8mm(3/16)
Hex Shank	1/4" (6.35 mm)
Cordless Drill	12V 14.4V 18V
Cordless Drive	12V 14.4V 18V
Reversible electric	3/8"Drill
Reversible pneumatic	3/8"Drill
Min. Torque Strength	11 Nm = 8 ft/lbs
Max. rpm	1,000 rpm

1 Hex Shank	1/4 (6.35 mm)
2 Housing	PA+GF
3 Nosepiece	2.4mm , 3.2mm, 4.0mm, 4.8mm
4 Sight Window	Blind Rivet Loading
5 Wrench	1PC

#### PB-9006

Dimensions	59mm x172mm(2-11/32" x 6-25/32")
Weight	280g=0.62 lbs
Nosepiece	M3 M4 M5 M6
Hex Shank	1/4" (6.35 mm)
Cordless Drill	12V 14.4V
Cordless Drive	12V 14.4V
Reversible electric	Drill (Advice 500W)
Reversible pneumatic	Drill (Advice 3/8")
Min. Torque Strength	15 Nm = 11 ft/lbs
Max. rpm	1000 rpm

#### PB-9010

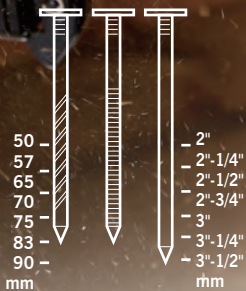
Dimensions	59mm x180mm(2-11/32" x 7-3/32")
Weight	350g=0.77 lbs
Nosepiece	M6 M8 M10
Hex Shank	1/4" (6.35 mm)
Cordless Drill	14.4V
Cordless Drive	18V
Reversible electric	Drill (Advice 500W)
Reversible pneumatic	Drill (Advice 1/2")
Min. Torque Strength	100 Nm = 73.7 ft/lbs
Max. rpm	800 rpm

# AIR NAILER AIR STAPLER

★★  **SJ-FN-90E**

Air Framing Nailer 34°  
Air inlet : 1/4"

3 pieces in one carton



	Collated mm	Nail Head	Nail Length mm(inch)	Shank Dia. mm		Load Capacity Nails	Weight kgs	Working Pressure P
SJ-FN-90E	Paper / Wire	Clipped Head	50~90(2"~3-1/2")	2.9	3.3	75-105	3.9	90

# AIR NAILER & STAPLER

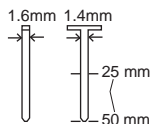


## SJ-1650T

**AIR NAILER**  
Air inlet : 1/4"

**Safety trigger**

5 pieces in one carton

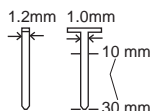


## SJ-1830 SJ-C1830F

**AIR NAILER**  
Air inlet : 1/4"

**Safety trigger**

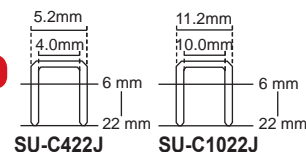
10 pieces in one carton



## SU-C422J SU-C1022J

**AIR STAPLER**  
Air inlet : 1/4"

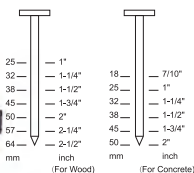
10 pieces in one carton



## SJ-TN64

**AIR CONCRETE NAILER**  
Air inlet : 1/4"

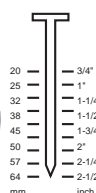
4 pieces in one carton



## SJ-BNF-1664

**AIR BRAD NAILER**  
Air inlet : 1/4"

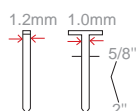
5 pieces in one carton



## SJ-1850F

**AIR NAILER**  
Air inlet : 1/4"  
**Safety trigger**

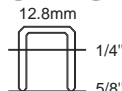
10 pieces in one carton



## SU-8016 SU-9025

**AIR STAPLER**  
Air inlet : 1/4"  
**Safety trigger**

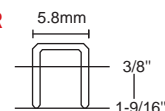
10 pieces in one carton



## SU-9040

**AIR STAPLER**  
Air inlet : 1/4"  
**Safety trigger**

4 pieces in one carton

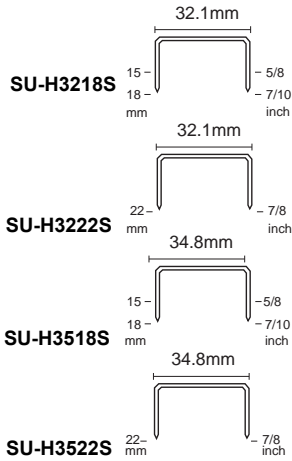




# SU-H3218S SU-H3222S SU-H3518S SU-H3522S

HAND CARTON STAPLER

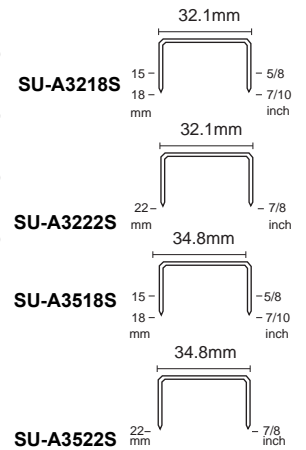
5 pieces in one carton



# SU-A3218S SU-A3222S SU-A3518S SU-A3522S

AIR CARTON STAPLER

5 pieces in one carton



	Dimensions	Nail Length	Crown	Shank (Thickness/Width)		Load Capacity	Weight	Working Pressure
	mm	mm(inch)	mm	mm	mm	Nails	kgs	PS
SU-A3518S	200*102*400	15&18	34.8	0.9	2.2	100	2.53	90
SU-A3522S	200*102*400	22	34.8	0.9	2.2	100	2.53	90
SU-A3218S	200*102*400	15&18	32.1	0.9	1.9	100	2.53	90
SU-A3222S	200*102*400	22	32.1	0.9	1.9	100	2.53	90
SU-H3518S	310*102*460	15&18	34.8	0.9	2.2	100	2.18	----
SU-H3522S	310*102*460	22	34.8	0.9	2.2	100	2.18	----
SU-H3218S	310*102*460	15&18	32.1	0.9	1.9	100	2.18	----
SU-H3222S	310*102*460	22	32.1	0.9	1.9	100	2.18	----

	Head Dia.	Gauge	Nail Length	Crown		Shank (Thickness/Width)		Load Capacity	Weight	Working Pressure
	mm		mm(inch)	mm	mm	mm	mm	Nails	kgs	PS
SJ-1650T	2.8	16	20-50 (3/4"-2")	----	----	1.4	1.60	100	2.35	90
SJ-1830F	1.9	18	10-30 (3/8"-1-3/6")	----	----	1.0	1.25	100	1.10	90
SU-C422J	----	20	10-22 (3/8"-7/8")	5.2	0.6x1.2	----	----	100	1.20	90
SU-C1022J	1.9	20	15-50 (3/8"-2")	11.2	0.6x1.2	----	----	100	1.20	90
SJ-1850F	----	18	20-50 (3/4"-2")	----	----	1.0	1.25	100	1.48	90
SU-8016	----	21	6-16 (1/4"-5/8")	12.9	0.65x0.95	----	----	160	0.90	90
SU-9025	----	18	10-25 (3/8"-1")	5.8	1.0x1.25	----	----	100	1.20	90
SU-9040	----	18	19-40 (3/4"-1-9/16")	5.8	1.0x1.25	----	----	100	2.20	90
SJ-TN64	7.5	13	(18~64)	----	----	2.5	2.50	80	2.35	90
SJ-BNF-1664	2.8	13	(20~64)	----	----	1.4	1.60	100	2.32	90



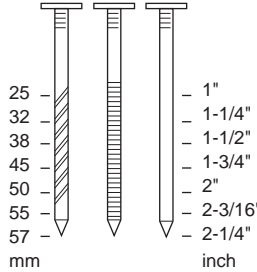
# AIR COIL NAILER

AIR COIL NAILER



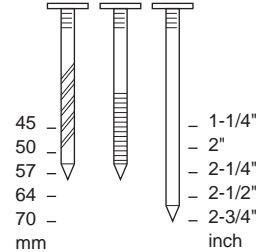
## SJ-CN55

COIL NAILER Safty Trigger  
Air inlet : 1/4"



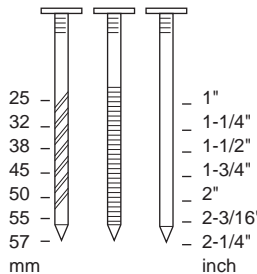
## SJ-CN70

COIL NAILER Safty Trigger  
Air inlet : 1/4"



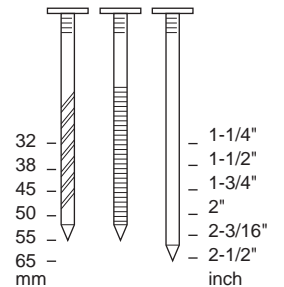
## SJ-CN57

57mm AIR COIL NAILER Safty Trigger  
Air inlet : 1/4"



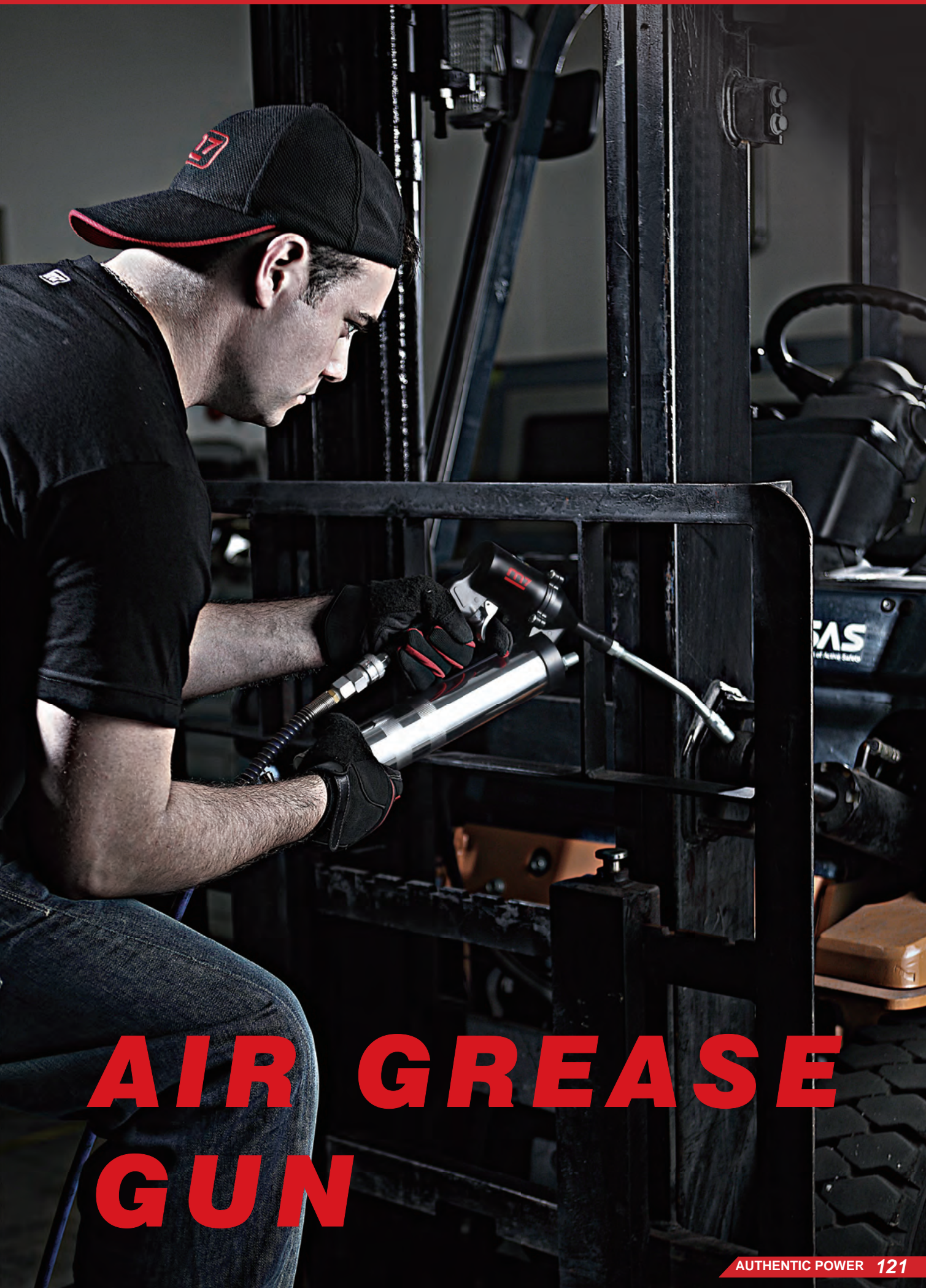
## SJ-CN65

65mm AIR COIL NAILER Safty Trigger  
Air inlet : 1/4"



	Shank Dia. mm	Head Dia. mm	Nail Length mm	Collated	Driving Power (ft-lb)	Load Capacity	Dimensions (H*W*L)mm	Weight kg	Working Pressure PSI
SJ-CN55	2.1-2.3	5.0-5.7	25-57	Wire	36.54	300-350	283*131*270	2.8	90
SJ-CN70	2.3-2.9	5.7-7.0	45-70	Wire	61.07	150-300	303*129*307	3.7	90
SJ-CN57	2.1-2.3	5.0-5.7	25-70	Wire / Plastic Sheet	36.40	200-300	310*130*300	2.2	90
SJ-CN65	2.3-2.5	5.0-6.0	32-65	Wire / Plastic Sheet	39.70	200-300	330*130*300	2.3	90

**AIR GREASE GUN**



**AIR GREASE GUN**

# AIR GREASE GUN & BLOW GUN

AIR GREASE GUN



## SG-400/500

AIR GREASE GUN  
Air inlet : 1/4"

10 pieces in one carton

Note: SG-500 for Australia



## SG-400C

COMPOSITE AIR GREASE GUN  
Air inlet : 1/4"

10 pieces in one carton



## SG-401/501

AIR GREASE GUN / CONTINUOUS TYPE  
Air inlet : 1/4"

10 pieces in one carton

Note: SG-501 for Australia



## JC-491

STANDARD SAFETY TIP

Available with

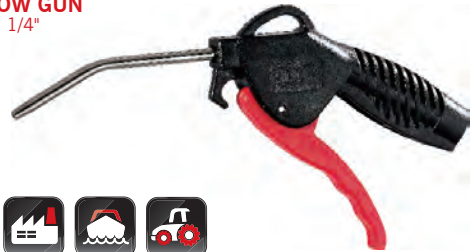
JC-491 for JC-405 JC-410 JC-412 JC-424 JC-435



## JC-304/310/313

## JC-320/340

AIR BLOW GUN  
Air inlet : 1/4"



## JC-405/410/412

## JC-424/435

AIR BLOW GUN  
Air inlet : 1/4"



JC-304 / JC-405  
JC-340 / JC-435

60 pieces in one carton

lathing (safe tenon)

JC-310 / JC-410  
JC-313 / JC-412

JC-320 / JC-424

50 pieces in one carton

## JC-202

AIR BLOW GUN  
Air inlet : 1/4"

20 pieces in one carton



Extendable tube.  
Revolvable nozzle.

# JC-640/641/680

**SUPER AIR BLOW GUN**

Air inlet : 1/4"

JC-640/JC-641 40"

JC-680 80"

20 pieces in one carton



# JC-0424[SET]

**AIR BLOW GUN**

Air inlet : 1/4"

Contenes

JC-405 8PCS

JC-410 8PCS

JC-412 8PCS

4 set in one carton



# JC-0415[SET]

**AIR BLOW GUN**

Air inlet : 1/4"

Contenes

JC-405 15PCS

4 set in one carton



	Air Inlet inch	Working Pressure kgf/cm <sup>2</sup>	Proof Pressure kgf/cm <sup>2</sup>	Capacity C.C	Air Hose Inch	Net Weight LBS kg	Sound Pressure dBA	Vibration Level m/s <sup>2</sup>
	—			—				
SG-400	1/4"	2.8-8.4	10.5	400	3/8"	3.2 1.46	80.2	0.7
SG-500	1/4"	2.8-8.4	10.5	500	3/8"	3.52 1.6	80.2	0.7
SG-400C	1/4"	2.8-8.4	10.5	400	3/8"	2.2 1.0	81.4	0.6
SG-401	1/4"	2.8-8.4	10.5	400	3/8"	3.52 1.6	74.0	2.0
SG-501	1/4"	2.8-8.4	10.5	500	3/8"	3.74 1.7	74.0	2.0

	Nozzle Length inch	Working Pressure PSI (bar)	Max Pressure PSI (bar)	Avg. Air Consumption CFM(L/min)	Avg. Air Consumption CFM(L/min)	Net Weight LBS kg	Air Hose Inch	Sound Pressure dBA
		Working	MAX					
JC-202	6-1/2"~12"	90-120(6.2-8.5)	220(15.1)	-----	5.10(144)	0.48 0.22	3/8"	90.0
JC-304	4"	75-120(5.3-8.5)	150(10.6)	13.0(368)	15.0(425)	0.15 0.07	3/8"	90.0
JC-310	10"	75-120(5.3-8.5)	150(10.6)	13.0(368)	15.0(425)	0.22 0.10	3/8"	90.0
JC-313	13"	75-120(5.3-8.5)	150(10.6)	13.0(368)	15.0(425)	0.24 0.11	3/8"	90.0
JC-320	20"	75-120(5.3-8.5)	150(10.6)	13.0(368)	15.0(425)	0.31 0.14	3/8"	90.0
JC-340	40"	75-120(5.3-8.5)	150(10.6)	13.0(368)	15.0(425)	0.50 0.23	3/8"	90.0
JC-405	5"	75-120(5.3-8.5)	150(10.6)	13.0(368)	15.0(425)	0.24 0.11	3/8"	90.0
JC-410	10"	75-120(5.3-8.5)	150(10.6)	13.0(368)	15.0(425)	0.26 0.12	3/8"	90.0
JC-412	12"	75-120(5.3-8.5)	150(10.6)	13.0(368)	15.0(425)	0.28 0.13	3/8"	90.0
JC-424	24"	75-120(5.3-8.5)	150(10.6)	13.0(368)	15.0(425)	0.31 0.14	3/8"	90.0
JC-435	35"	75-120(5.3-8.5)	150(10.6)	13.0(368)	15.0(425)	0.55 0.25	3/8"	90.0
JC-640	40"	75-120(5.3-8.5)	150(10.6)	13.0(368)	15.0(425)	0.75 0.34	3/8"	90.0
JC-641	40"	75-120(5.3-8.5)	150(10.6)	13.0(368)	15.0(425)	0.75 0.34	3/8"	90.0
JC-680	80"	75-120(5.3-8.5)	150(10.6)	13.0(368)	15.0(425)	1.41 0.64	3/8"	90.0

**0.5 HP SERIES**



# **0.5 HP SERIES**



0.5HP SERIES

m7

m7



# NE-383 NE-483

1/2" & 3/8"

DRIVE AIR  
RATCHET WRENCH  
Air inlet : 1/4"

10 pieces in one carton



**TWO STEP  
TRIGGER**

	Square Drive	Torque Range	Max Torque	Free Speed	Avg. Air Consumption	Air Pressure	Overall Length	Net Weight	Air Hose	Sound Pressure	Vibration Level
	Inch	FT-LB (Nm)	FT-LB Nm	R.P.M	CFM (L/min)	PSI (bar)	Inch (mm)	LBS kg	Inch	dBA	m/s²
NE-383	3/8"	10-65(13.5-88)	100 135.6	250	5.0(141)	90(6.3)	10-29/32"(277)	2.82 1.28	3/8"	85	2.0
NE-483	1/2"	10-65(13.5-88)	100 135.6	250	5.0(141)	90(6.3)	10-29/32"(277)	2.82 1.28	3/8"	85	2.0

# 0.5 HP SERIES

0.5 HP SERIES



## NE-462T

1/2" DRIVE AIR ANGLE IMPACT RATCHET

Air inlet : 1/4" Pin Ciltch Type

10 pieces in one carton



## QA-110 A/B

AIR DIE GRINDER

Air inlet : 1/4"

20 pieces in one carton



## QA-116 A/B

AIR DIE GRINDER Air inlet : 1/4"

20 pieces in one carton



## QA-681 A/B

AIR DIE GRINDER

Air inlet : 1/4"

- Spindle lock design.
- Grease hole
- 0.5 hp motor



## QC-213T

3" HEAVY DUTY AIR CUT-OFF TOOL

Note: wheel is supplied with the tool

Available Dimension of inner hold : Ø 10mm

Air inlet : 1/4"

- Excellent for cutting rusted bolts, nuts, motor exhaust clamps or hangers, sheet metal, fiberglass etc.

20 pieces in one carton



3" Wheel



## QC-234T

4" AIR CORNER CUT-OFF TOOL

Note: wheel is supplied with the tool

Available Dimension of inner hold : Ø 10mm Ø 16mm

Air inlet : 1/4"

6 pieces in one carton



4" Wheel

- Excellent for cutting rusted bolts, nuts, motor exhaust clamps or hangers, sheet metal, fiberglass etc.



## QC-264

### 4" AIR CORNER CUT-OFF TOOL

Note: wheel is supplied with the tool  
Available Dimension of inner hold : Ø 10mm Ø 16mm  
Air inlet : 1/4"

10 pieces in one carton

- Excellent for cutting rusted bolts, nuts, motor exhaust clamps or hangers, sheet metal, fiberglass etc.



4" Wheel



## QK-111T

### AIR KNIFE

Air inlet : 1/4"

10 pieces in one carton



	Oscillation per min	Avg. Air Consumption CFM (L/min)	Overall Length Inch (mm)	Net Weight LBS(kg)	Air Hose Inch	Sound Pressure dBA	Vibration Level m/s <sup>2</sup>
QK-111T	20000	5.0(141)	8-3/16" (208)	2.0(0.92)	3/8"	85	3.3

	Belt Size Pad Dia inch(mm)	Free Speed R.P.M	Avg. Air Consumption CFM (L/min)	Air Pressure PSI (bar)	Overall Length Inch (mm)	Motor HP	Net Weight LBS kg	Air Hose Inch	Sound Pressure dBA	Vibration Level m/s <sup>2</sup>
						<b>hp</b>				
QC-213T	3"(75)	22000	5.0(141)	90(6.3)	7-7/8"(200)	0.5	1.8 0.82	3/8"	85.0	3.0
QC-234T	4"(100)	15000	5.0(141)	90(6.3)	13-9/16"(345)	0.5	3.1 1.41	3/8"	85.0	2.2
QC-264	4"(100)	15000	5.0(141)	90(6.3)	9-5/32"(232)	0.5	2.4 1.1	3/8"	85.0	2.2

	Square Drive Inch	Torque Range FT-LB (Nm)	Max Torque FT-LB Nm	Free Speed R.P.M	Avg. Air Consumption CFM (L/min)	Air Pressure PSI (bar)	Overall Length Inch (mm)	Net Weight LBS kg	Air Hose Inch	Sound Pressure dBA	Vibration Level m/s <sup>2</sup>
NE-462T	1/2"	10-65(13.5-88)	100 135	200	5.0(141)	90(6.3)	13-13/32"(340)	4.0 1.83	3/8"	85.0	2.2

	Collet Size A mm	Collet Size B inch	Free Speed R.P.M	Avg. Air Consumption CFM (L/min)	Air Pressure PSI (bar)	Overall Length Inch (mm)	Motor HP	Net Weight LBS(kg)	Air Hose Inch	Sound Pressure dBA	Vibration Level m/s <sup>2</sup>
							<b>hp</b>				
QA-110	6 & 3	1/4" & 1/8"	22000	5.0(141)	90 (6.3)	7-5/16"(186)	0.5	1.36 0.62	3/8"	85.0	1.1
QA-116	6 & 3	1/4" & 1/8"	22000	5.0(141)	90 (6.3)	13-9/16"(345)	0.5	2.53 1.15	3/8"	85.0	1.8
QA-681	6 & 3	1/4" & 1/8"	20000	5.0(141)	90 (6.3)	7-11/16" (195)	0.5	1.76 0.8	3/8"	85.0	1.8



# 0.5 HP SERIES

0.5 HP SERIES



## QP-415

AIR ANGLE POLISHER  
Air inlet : 1/4"  
Spindle Size : 5/16"-24

10 pieces in one carton



## QE-935

3/8" Air Straight Drill  
With Key Chuck  
Air inlet : 1/4"

20 pieces in one carton



2pcs Planet Gear with bearing



## QE-936

3/8" AIR STRAIGHT  
DRILL  
With Key Chuck

20 pieces in one carton



## QB-802T QB-802TU For USA

AIR ERASER  
Air inlet : 1/4"

Spindle Size : 3/8"-24

10 pieces in one carton



## QB-812T QB-812TU For USA

AIR ERASER  
Air inlet : 1/4"

Spindle Size : 3/8"-24

20 pieces in one carton





## QT-112T

AIR TYRE BUFFER

Air inlet : 1/4"

20 pieces in one carton



2pcs Planet Gear with bearing



## QT-203T QT-303

AIR TYRE BUFFER / Quick change Chuck

Air inlet : 1/4"

10 pieces in one carton



2pcs Planet Gear with bearing



	Chuck Size inch(mm)	Collet Size inch mm	Free Speed R.P.M	Avg. Air Consumption CFM (L/min)	Air Pressure PSI (bar)	Overall Length Inch (mm)	Motor hp	Net Weight LBS(kg)	Air Hose Inch	Sound Pressure dBA	Vibration Level m/s <sup>2</sup>
QT-112T	----	1/4" / 6	4000	5.0 (141)	90(6.3)	8-27/32"(225)	0.5	1.72 / 0.78	3/8"	85.0	1.2
QT-203T	Hex.7/16"(11.1)	----	4000	5.0 (141)	90(6.3)	8-27/32"(225)	0.5	1.98 / 0.90	3/8"	85.0	1.6
QT-303	Hex.7/16"(11.1)	----	22000	5.0 (141)	90(6.3)	8-9/16"(217)	0.5	1.74 / 0.79	3/8"	85.0	1.6

	Free Speed R.P.M	Avg. Air Consumption CFM (L/min)	Air Pressure PSI (bar)	Overall Length Inch (mm)	Motor HP	Net Weight LBS kg	Air Hose Inch	Sound Pressure dBA	Vibration Level m/s <sup>2</sup>
QB-802T	4000	5.0 (141)	90(6.3)	8-5/32"(212)	0.5	3.08 / 1.40	3/8"	85.0	1.2
QB-812T	4000	5.0 (141)	90(6.3)	8-15/32"(215)	0.5	1.67 / 0.76	3/8"	85.0	1.2

	Chuck Size inch(mm)	Free Speed R.P.M	Motor hp	Avg. Air Consumption CFM (L/min)	Air Pressure PSI (bar)	Overall Length Inch (mm)	Net Weight LBS kg	Air Hose Inch	Sound Pressure dBA	Vibration Level m/s <sup>2</sup>
QE-935	3/8"(10)	4000	0.5	5.0(141)	90(6.3)	9"(230)	1.89 / 0.86	3/8"	85.0	1.6
QE-936	3/8"(10)	22000	0.5	5.0(141)	90(6.3)	8-9/16"(218)	1.62 / 0.74	3/8"	85.0	1.2

	Pad Dia inch(mm)	Free Speed R.P.M	Avg. Air Consumption CFM (L/min)	Air Pressure PSI (bar)	Overall Length Inch (mm)	Motor HP	Net Weight LBS(kg)	Air Hose Inch	Sound Pressure dBA	Vibration Level m/s <sup>2</sup>
QP-415	5"(127)	2500	5.0(141)	90(6.3)	8-11/32"(211)	0.5	2.5 / 1.14	3/8"	85.0	1.1

**AUTO REPAIR TOOL**

**AUTO  
REPAIR  
TOOL**



Auto repair tool



# NC-0208[SET]

1/4" DRIVE AIR IMPACT WRENCH 8 PCS

Twin Dog Type

Air inlet : 1/4"

10 pieces in one carton

- 1pc 1/4" Air Impact Wrench (NC-2710)
- 5pcs Socket:8.9.10.11.12mm
- 1pc 1/4" Drive Universal Joint
- 1pc 1/4" Extension Bar
- 1pc Plug



NC-2710



Square Drive	Bolt Capacity	Torque Range	Max Torque		Free Speed	Avg. Air Consumption	Air Pressure	Overall Length	Net Weight		Air Hose	Sound Pressure	Vibration Level	
Inch	Inch (mm)	FT-LB (Nm)	FT-LB	Nm	R.P.M	CFM (L/min)	PSI (bar)	Inch (mm)	LBS	kg	Inch	dBA	m/s <sup>2</sup>	
NC-2710	1/4"	M8	7.4-29.5 (10-40)	29	40	11000	5.3(150)	90 (6.3)	5-3/8" (163)	1.76	0.8	3/8"	91.0	3.4



# QB-0618[SET]

90° MINI SANDER POLISHER 18 PCS SET

Air inlet : 1/4"

**CONTENTS:**

- QB-625 (1pcs)
- Disc 2"PAD (1pcs)
- Disc 3"PAD (1pcs)
- Removal Sandering
- 2"#80-YL (1pcs)
- 2"#150-RD (2pcs)
- 2"#300-BL (2pcs)
- 2"Stripping Disc
- 3"#80-YL (1pcs)
- 3"#150-RD (2pcs)
- 3"#300-BL (2pcs)
- 3"Stripping Dis
- Adaptor
- Spanner
- Oil



QB-625



Pad Dia / Arbor Size	Free Speed	Avg. Air Consumption	Air Pressure	Overall Length	Motor	Net Weight	Air Hose	Sound Pressure	Vibration Level		
inch	R.P.M	CFM	PSI (bar)	Inch (mm)	HP	LBS(kg)	Inch	dBA	m/s <sup>2</sup>		
QB-625	2" / 3"	15000	17.2	90(6.3)	7-1/8"(180)	0.6	0.61	1.3	3/8"	75	2.5

# AUTO REPAIR TOOL

AUTO REPAIR TOOL



## NC-2210N [SET]

1/4" DRIVE AIR IMPACT WRENCH

Twin Dog Type Air inlet : 1/4"

1 carton / 5 set

20 pieces in one carton

### Contents:

- + 1 pc 1/4" Impact Socket 8 mm
- + 1 pc 1/4" Impact Socket 9 mm
- + 1 pc 1/4" Impact Socket 10 mm
- + 1 pc 1/4" Impact Socket 11 mm
- + 1 pc 1/4" Impact Socket 12 mm
- + 1 pc 1/4" Extension Bar (L:50mm)
- + 1 pc 1/4" Extension Bar (L:125mm)
- + 1 pc 1/4" Universal Joint
- + 1 pc 1/4" Plug
- + 1 pc Air Impact Wrench



NC-2210



	Square Drive Inch	Bolt Capacity Inch (mm)	Torque Range FT-LB (Nm)	Max Torque FT-LB Nm	Free Speed R.P.M	Avg. Air Consumption CFM (L/min)	Air Pressure PSI (bar)	Overall Length Inch (mm)	Net Weight LBS kg	Air Hose Inch	Sound Pressure dBA	Vibration Level m/s <sup>2</sup>
NC-2210	1/4"	M5	4-45 (6-61)	50 67.8	11000	1.8(51)	90(6.3)	6-17/32"(166)	1.4 0.65	3/8"	77.0	1.8



## QA-651N [SET]

AIR DIE GRINDER

Air inlet : 1/4"

### Contents:

- + 1 pc Air Die Grinder
- + 1 pc Collet : 3mm (or1/8")
- + 5 pcs Grinder Stones 3mm
- + 5 pcs Grinder Stones 6mm
- + 1 pc 1/4" Plug
- + 1 pc Oil Box
- + 2 pcs Spanner Wrench

1 carton / 5 set

20 pieces in one carton



QA-651



	Collet Size inch(mm)	Free Speed R.P.M	Avg. Air Consumption CFM (L/min)	Air Pressure PSI (bar)	Overall Length Inch (mm)	Hose Length mm	Net Weight LBS(kg)	Air Hose Inch	Sound Pressure dBA	Vibration Level m/s <sup>2</sup>	Motor HP
QA-651	1/4" (6)	18000	2.7(76)	90(6.3)	5" (127)	----	1.10 0.5	3/8"	74.0	0.3	0.3



## QP-212N[SET]

**AIR HIGH SPEED SANDER**

Air inlet : 1/4"

**Contents:**

- + 1 pc Air High Speed Sander
- + 1 pc 2" Rubber PAD(1/4"-20)
- + 1 pc 2" Pad Die#80
- + 1 pc 2" Stripping Disc #80-YL(Coarse)
- + 1 pc 2" Stripping Disc #150-RD(Med)
- + 1 pc 3" Rubber PAD(1/4"-20)
- + 1 pc 3" Pad Die#80
- + 1 pc 3" Stripping Disc #80-YL(Coarse)
- + 1 pc 3" Stripping Disc #150-RD(Med)
- + 1 pc 1/4" Plug
- + 1 pc Oil Box
- + 1 pc Spanner Wrench



**QP-212**



**1 carton / 5 set**      **20 pieces in one carton**  
(Air Tool Only)



## QP-213N[SET]

**AIR ORBIT SANDER**

Air inlet : 1/4"

**Contents:**

- + 1 pc Air Sander
- + 1 pc 2" PAD(5/16"-24)
- + 1 pc 3" PAD (5/16"-24)
- + 10 pcs 2" Sandpaper#180
- + 10 pcs 2" Sandpaper#220
- + 10 pcs 2" Sandpaper#320
- + 10 pcs 3" Sandpaper#180
- + 10 pcs 3" Sandpaper#220
- + 10 pcs 3" Sandpaper#320
- + 1 pc 1/4" Plug
- + 1 pc Oil Box
- + 2 pcs Spanner Wrench



**QP-213**



**1 carton / 5 set**      **20 pieces in one carton**  
(Air Tool Only)

	Pad Dia	Free Speed	Avg. Air Consumption	Air Pressure	Overall Length	Motor	Net Weight	Air Hose	Sound Pressure	Vibration Level	Spindle Size
	inch(mm)	R.P.M	CFM (L/min)	PSI (bar)	Inch (mm)	HP	LBS(kg)	Inch	dBa	m/s <sup>2</sup>	
QP-212	2" or 3"	18000	2.1(59)	90(6.3)	4-1/4"(107)	0.3	1.1 0.50	3/8"	73.0	0.9	1/4"-20
QP-213	3"(76)	18000	2.1(59)	90(6.3)	4-5/8"(117)	0.3	1.1 0.50	3/8"	76.0	1.2	5/16"-24

# AUTO REPAIR TOOL

AUTO REPAIR TOOL



## QP-223N [SET]

**AIR MINI POLISHER**

Air inlet : 1/4"

**Contents:**

- + 1 pc Air Mini Polisher (QP-233)
- + 1 pc 3"PAD(5/16"-24)
- + 1 pc 3"Sponge (Medium)
- + 1 pc 3"Sponge (Rough)
- + 1 pc 3"Woolb Bonnet
- + 1 pc 1/4"Plug
- + 1 pc Spanner Wrench

1 carton / 5 set

20 pieces in one carton  
(Air Tool Only)



**QP-223**



	Pad Dia	Free Speed	Avg. Air Consumption	Air Pressure	Overall Length	Motor	Net Weight	Air Hose	Sound Pressure	Vibration Level	Spindle Size
	inch(mm)	R.P.M	CFM (L/min)	PSI (bar)	Inch (mm)	HP	LBS(kg)	Inch	dBA	m/s <sup>2</sup>	
<b>QP-223</b>	3"(76)	5500	2.2(62)	90(6.3)	5-1/8"(130)	0.3	1.3 0.50	3/8"	74.0	0.9	5/16"-24



## QE-323N [SET]

**1/4" AIR REVERSIBLE DRILL**

Air inlet : 1/4"

**Contents:**

- + 1 pc 3.5mm Drill Bits + 1 pc Key Wrench
- + 1 pc 4.0mm Drill Bits + 1 pc 1/4"Plug
- + 1 pc 4.5mm Drill Bits + 1 pc Oil Box
- + 1 pc 5.0mm Drill Bits + 1 pc Air Reversible Drill (QE-323)
- + 1 pc 5.5mm Drill Bits

1 carton / 5 set

20 pieces in one carton  
(Air Tool Only)



**QE-323**



	Chuck Size	Free Speed	Motor	Avg. Air Consumption	Air Pressure	Overall Length	Net Weight	Air Hose	Sound Pressure	Vibration Level
	inch/mm	R.P.M	hp	CFM (L/min)	PSI (bar)	Inch (mm)	LBS kg	Inch	dBA	m/s <sup>2</sup>
<b>QE-323</b>	1/4" (6.35)	1600	0.38	1.9(113)	90(6.3)	6-15/32"(164)	2.5 0.78	3/8"	74.0	1.2



## RA-505N [SET]

**AIR SCREWDRIVER** Twin Dog Type  
Screw Capacity : M5  
Air inlet : 1/4"

**Contents:**

- + 1 pcs Air Screwdriver (RA-505)
- + 2 pcs Bits FD(L:50mm)
- + 2 pcs Bits PH2(L:65mm)
- + 1 pcs Bits PH2(L:100mm)
- + 1 pc 1/4" Plug
- + 1 pc Oil Box

1 carton / 5 set

20 pieces in one carton  
(Air tool Only)



RA-505



	Chuck Size inch(mm)	Torque Range FT-LB(Nm)	Free Speed R.P.M	Avg. Air Consumption CFM (L/min)	Air Pressure PSI (bar)	Overall Length Inch (mm)	Net Weight LBS kg		Air Hose Inch	Sound Pressure dBA	Vibration Level m/s <sup>2</sup>
RA-505	1/4"(6.35)	5-45 (6~61)	11000	1.8 (51)	90(6.3)	6-5/16"(161)	1.54	0.7	3/8"	74.0	3.3



## QM-1125

**PNEUMATIC CV JOINT BOOTS FITTING TOOL**

10 pieces in one carton



	Capacity Inch (mm)	Max Air Pressure PSI (bar)	Air Pressure PSI (bar)	Overall Length Inch (mm)	Net Weight LBS(kg)		Air Hose Inch
QM-1125	1"-4-3/8"(25-110)	125(8.6)	90(6.3)	17-3/8"(442)	7.15	3.25	3/8"



## QT-102

**AIR TYRE BUFFER**  
Air inlet : 1/4"

10 pieces in one carton



## QT-203 QT-113

**AIR TYRE BUFFER / Quick Change Chuck**  
Air inlet : 1/4"

10 pieces in one carton



	Chuck Size inch(mm)	Collet Size inch(mm)	Free Speed R.P.M	Avg. Air Consumption CFM (L/min)	Air Pressure PSI (bar)	Overall Length Inch (mm)	Motor hp	Net Weight LBS(kg)		Air Hose Inch	Sound Pressure dBA	Vibration Level m/s <sup>2</sup>
QT-102	----	1/4" (6)	7500	3.0 (85)	90(6.3)	5-1/2"(140)	0.3	0.9	0.41	3/8"	77.0	1.3
QT-203	Hex.7/16"(11.1)	----	4000	10.6 (300)	90(6.3)	9-3/4"(250)	0.5	1.76	0.80	3/8"	75.0	0.87
QT-113	Hex.7/16"(11.1)	----	2500	10.6 (300)	90(6.3)	9-3/4"(250)	0.5	1.76	0.80	3/8"	75.0	0.87



# AUTO REPAIR TOOL



## QB-0808 QB-0808U For USA

AIR SURFACE-CLEANING TOOL

Air inlet : 1/4"

- Air Surface-Cleaning Tool:1pc(QB-802)
- Eraser Wheel:1pc
- Stripping Wheel :1pc
- Wire Wheel(Coarse):1pc
- Wire Wheel:1pcs
- Allen Key 6mm:1pc
- Spanner Wrench:1pc
- 1/4" Plug:1pc
- Adapter Male UNF 5/16"-24
- Female M6×1.0:1pc



5 pieces in one carton

QB-9414

QB-9414U For USA

QB-9415



QB-9400



QB-9411



QB-9412

## SK-1131

AIR CAULKING GUN



## QB-812 QB-812U For USA

AIR ERASER

Air inlet : 1/4"



## QB-802 QB-802U For USA

AIR SURFACE-CLEANING TOOL

Air inlet : 1/4"

10 pieces in one carton



## SK-1010

AIR CAULKING GUN



## SB-201

DIGITAL TYRE INFLATOR

Air inlet : 1/4"

20 pieces in one carton



## SB-215

TYRE INFLATOR

Air inlet : 1/4"

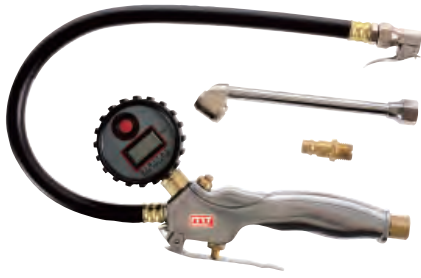
20 pieces in one carton



## SB-304

DIGITAL TYRE INFLATOR  
Air inlet : 1/4"

20 pieces in one carton



## SB-422

TYRE INFLATOR  
Air inlet : 1/4"

20 pieces in one carton



## SB-423

TYRE INFLATOR  
Air inlet : 1/4"

12 pieces in one carton



## SB-501

TYRE INFLATOR  
Air inlet : 1/4"

12 pieces in one carton



## SE-1025

FLEXIBLE LED LIGHT

- + Rechargeable working light 1pc
- + AC 100~240V ADAPTOR\*1pc
- + High strength magnet



## SE-1101

LED WORK LAMP  
USB CHARGING AVAILABLE



	Avg. Air Consumption CFM (L/min)	Air Pressure PSI (bar)	Overall Length Inch (mm)	Net Weight LBS kg		Air Hose Inch
SK-1010	4.0(113)	50~70(3.4~4.8)	12" (305)	2.43	1.1	3/8"
SK-1131	4.0(113)	60~90(4.1~6.2)	24-7/16" (620)	2.66	1.21	3/8"

	Free Speed R.P.M	Avg. Air Consumption CFM (L/min)	Air Pressure PSI (bar)	Overall Length Inch (mm)	Motor HP	Net Weight LBS kg		Air Hose Inch	Sound Pressure dBA	Vibration Level m/s <sup>2</sup>
				<b>hp</b>						
QB-802	3600	10.6(300)	90(6.3)	7-7/8"(200)	0.7	2.6	1.2	3/8"	86	0.3
QB-812	4000	10.0(283)	90(6.3)	8-7/8"(225)	0.5	1.7	0.8	3/8"	75	0.87

	Max Pressure PSI (bar)	Air Consumption at 100PSI CFM	Air Inlet Inch	Air Pressure PSI (bar)	Net Weight LBS kg		Air Hose Inch	Nozzle Length cm	Nozzle
SB-201	160(11.0)	1.41	1/4"	90(6.3)	0.70	0.32	3/8"	30	Tyre valve clip
SB-215	160(11.0)	1.41	1/4"	90(6.3)	0.88	0.40	3/8"	150	Tyre valve clip
SB-304	160(11.0)	1.41	1/4"	90(6.3)	1.41	0.65	3/8"	30	Dual chuck
SB-422	160(11.0)	1.41	1/4"	90(6.3)	1.21	0.55	3/8"	45	Tyre valve clip
SB-423	220(15.0)	1.41	1/4"	90(6.3)	2.92	1.33	3/8"	100	Tyre valve clip
SB-501	160(11.0)	1.41	1/4"	90(6.3)	2.92	1.33	3/8"	30	Dual chuck

# SPECIAL TOOL

SPECIAL TOOL

## WG-202N [SET]

AIR SUCTION & BLOW GUN KIT

Air inlet : 1/4"

20 pieces in one carton

- + Use for cleaning or to suction dust, wood chips, metal shavings, glass, etc.
- + This 2 in 1 tool can be used either as air blow gun, or as a air vacuum gun.
- + Ergonomically designed for user's comfort.

### Contents:

- 1 pc Extension Tube
- 1 pc Small Diameter Vacuum Tube
- 1 pc Flat Tube
- 1 pc Brush
- 1 pc Flexible tube
- 1 pc Deflector
- 1 pc Clamping Ring
- 1 pc Dust Bag



## SQ-0217

AIR POWERED BRAKE CALIPER  
WIND BACK TOOL-SET 17PCS

20 pieces in one carton

- Air Powered Brake Caliper Wind Back Tool : 1pc
  - Disk : 16pcs
- Not available in north America



## WG-202

AIR SUCTION & BLOW GUN KIT

Air inlet : 1/4"

20 pieces in one carton



## SR-2101

AIR BRUSH SET

20 pieces in one carton

### CONTENTS

- AIR BRUSH(3mm Nozzle)
- PIPETTE
- SPANNER
- AIR ADAPTOR



## SC-005

BALL JOINT & TIE-ROD SPLITTER SET

20 pieces in one carton

### CONTENTS

- AIR HAMMER ADAPTER
- 1-1/8"(28.57mm) PITMAN ARM
- STRIKING HANDLE
- 11/16"(17.46mm) TIE ROD
- 15/16"(23.81mm) BALL JOINT



# SM-0813

MANUAL & PNEUMATIC FLUID EXTRACTOR

20 pieces in one carton



# SM-0911

MANUAL & PNEUMATIC FLUID EXTRACTOR

20 pieces in one carton



# SM-0503

PNEUMATIC BRAKE EXTRACTOR & REFILLED KIT

20 pieces in one carton



	Air Pressure	Net Weight		Capacity
	PSI	LB	KG	L
SM-0813	70 -170	6.80	2.7	7.5
SM-0911	70 -170	6.80	3.1	9.5
SM-0503	70 -170	4.12	1.86	3.0

# SANDBLASTING GUN

SANDBLASTING GUN



## SX-3101

AIR SANDBLASTING GUN

20 pieces in one carton



## SX-3102

AIR SANDBLASTING GUN

20 pieces in one carton



## SX-3103

AIR SANDBLASTING GUN

20 pieces in one carton



## SX-3111

AIR UNDERSEAL GUN

20 pieces in one carton



## SX-3112

AIR UNDERSEAL GUN

20 pieces in one carton



	Cup Capacity L	Free Speed R.P.M	Avg. Air Consumption CFM (L/min)	Air Pressure PSI (bar)	Overall Length Inch (mm)	Net Weight LBS(kg)	Air Hose Inch	Sound Pressure dBA
SX-3101	1.0	-----	4.3 (121.8)	90(6.3)	11" (280)	1.26 / 0.57	3/8"	85.0
SX-3102	0.7	-----	4.0 (56.6)	90(6.3)	10-1/8" (260)	0.77 / 0.35	3/8"	85.0
SX-3103	-----	-----	3.5 (56.6)	90(6.3)	122" (3100)	2.31 / 10.5	3/8"	80.0
SX-3111	1.0	-----	3.0 (84.9)	90(6.3)	10-1/8" (260)	0.97 / 0.44	3/8"	85.0
SX-3112	----	-----	3.0 (56.6)	90(6.3)	10-1/8" (260)	0.48 / 0.22	3/8"	85.0



## SX-2101

AIR TWISTER GUN  
Not available in North America

20 pieces in one carton



## SX-3201

AIR UNDERSEAL GUN

20 pieces in one carton



## SX-1615

AIR CLENNING GUN

20 pieces in one carton



## SX-3203

1L AIR CLEANING GUN

20 pieces in one carton



## SX-3202

AIR SOLVENT / CLEANER SPRAY GUN

20 pieces in one carton



	Cup Capacity L	Free Speed R.P.M	Avg. Air Consumption CFM (L/min)	Air Pressure PSI (bar)	Overall Length Inch (mm)	Net Weight LBS(kg)		Air Hose Inch	Sound Pressure dBA
SX-2101	1.0	5500	2.0 (56.6)	90(6.3)	8-7/32*4-5/16" 210*110mm	1.71	0.78	3/8"	85.0
SX-1615	1.0	-----	2.0 (56.6)	90(6.3)	11-7/16" (290)	0.9	0.4	3/8"	85.0
SX-3201	1.8	-----	3.6 (101.9)	90(6.3)	15-13/16" (400)	2.16	0.98	3/8"	65.0
SX-3202	1.0	-----	1.0 (56.6)	90(6.3)	20-13/16" (530)	1.04	0.47	3/8"	65.0
SX-3203	1.0	-----	1.0 (28.3)	90(6.3)	18-1/2" (290)	1.17	0.53	3/8"	65.0

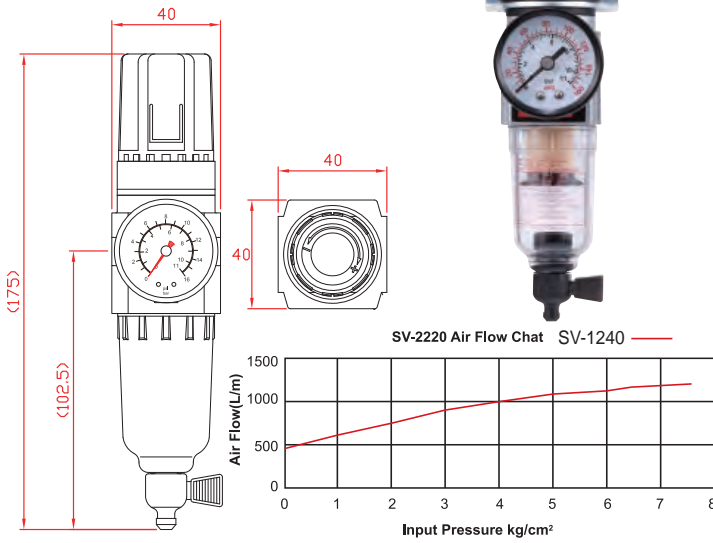
**FILTER  
REGULATOR  
LUBRICATOR**



***FILTER  
REGULATOR  
LUBRICATOR***

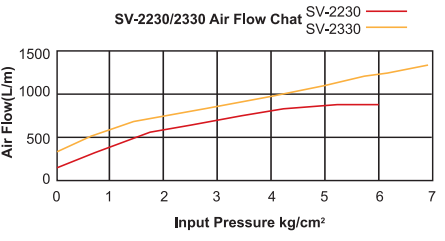
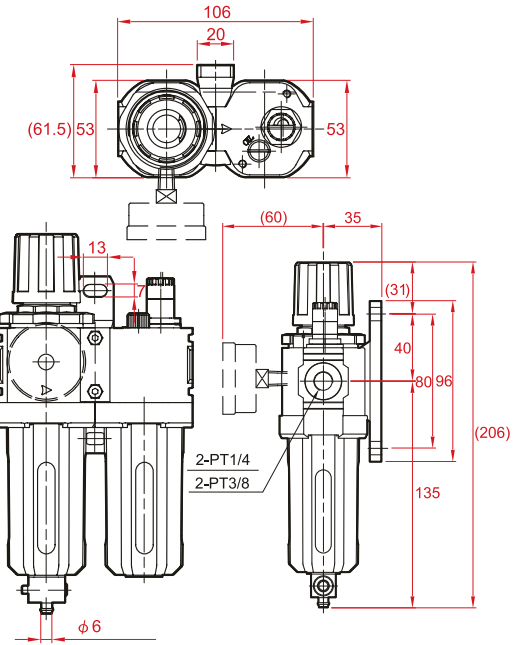
# SV-1240

**FILTER,REGULATOR**  
Air inlet : 1/4"



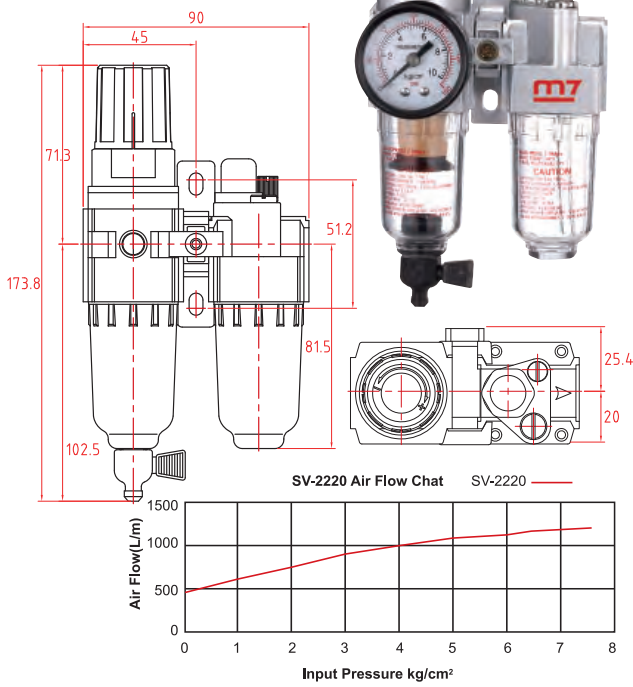
# SV-2230/2330

**FILTER,REGULATOR,LUBRICATOR**  
Air inlet : 1/4" / 3/8"



# SV-2220

**FILTER,REGULATOR,LUBRICATOR**  
Air inlet : 1/4"



	Air in / outlet inch	Max Input Pressure PSI	Max Output Pressure PSI	Max.Flow L/min	Working Temperature °C	Drain Capacity ml	Oil Capacity ml	Filter Element μ (micro)
	—	—	—	—	Working	—	—	
SV-1240	1/4"	150	145	1100	5~60°	15	----	5μ
SV-2230	1/4"	215	70-140	1100	5~60°	30	55	5μ
SV-2330	3/8"	215	70-140	1100	5~60°	30	55	5μ
SV-2220	1/4"	150	70-140	1100	5~60°	15	30	5μ

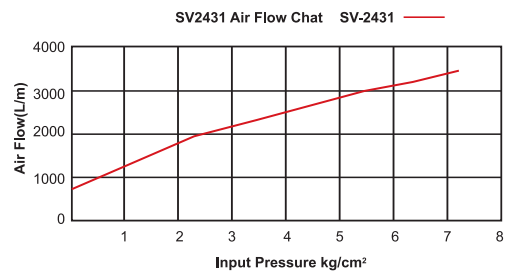
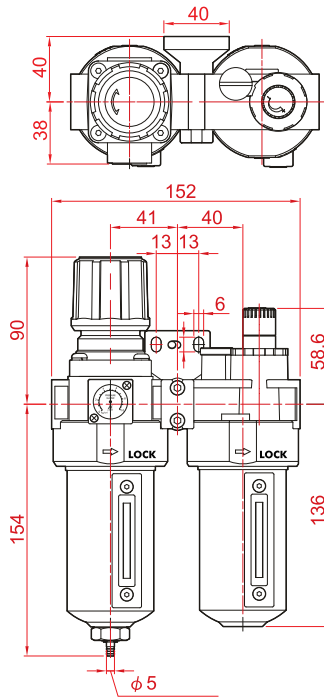


# FILTER REGULATOR LUBRICATOR

## SV-2431

FILTER,REGULATOR,LUBRICATOR

Air inlet : 1/2"



## SV-1260

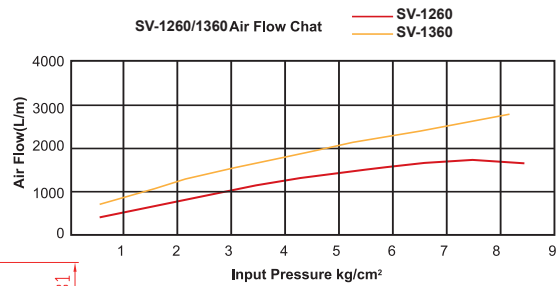
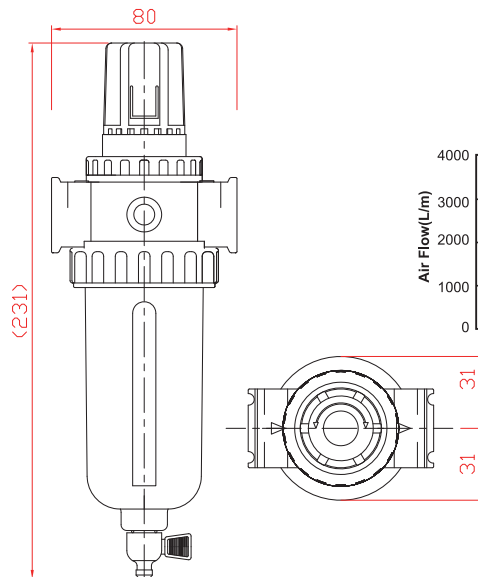
FILTER,REGULATOR

Air inlet : 1/4"

## SV-1360

FILTER,REGULATOR

Air inlet : 3/8"



# SV-2260 /2280

FILTER,REGULATOR,LUBRICATOR

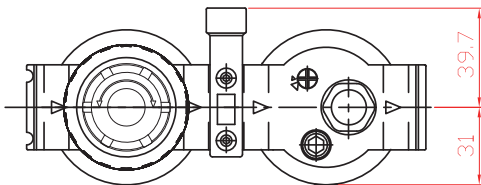
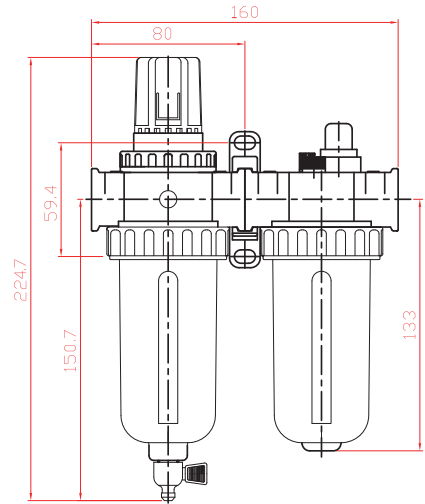
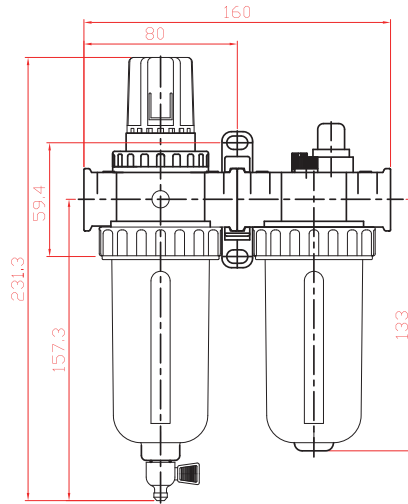
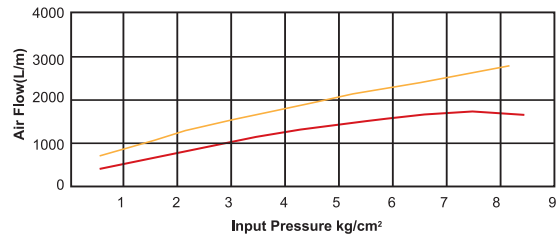
Air inlet : 1/4"

# SV-2360 /2380

FILTER,REGULATOR,LUBRICATOR

Air inlet : 3/8"

SV-2260/2280 Air Flow Chart



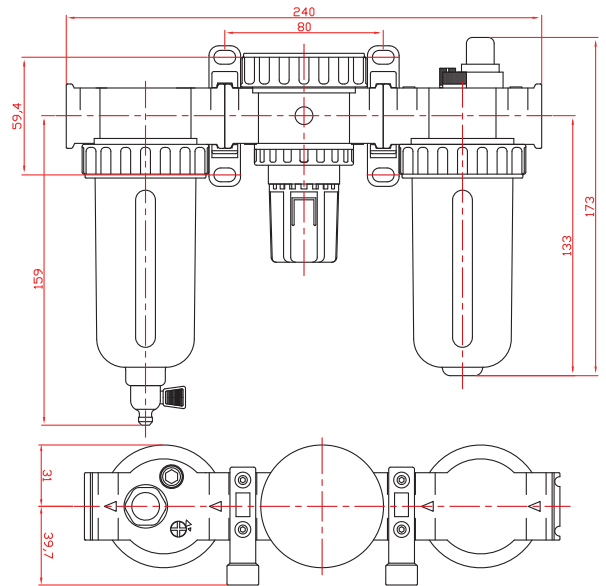
	Air in / outlet inch	Max Input Pressure PSI	Max Output Pressure PSI	Max. Flow L/min	Working Temperature °C	Drain Capacity ml	Oil Capacity ml	Filter Element μ (micro)
	—	—	—	—	Working	—	—	
SV-1260	1/4"	215	145	1750	5~60°	80	----	5μ
SV-1360	3/8"	215	145	2500	5~60°	80	----	5μ
SV-2431	1/2"	285	70-140	1100	5~60°	80	200	5μ
SV-2260/2360	1/4" / 3/8"	215	70-150	1750 / 2500	5~60°	80	150	5μ
SV-2280/2380	1/4" / 3/8"	250	70-140	1750 / 2500	5~60°	80	150	5μ

# FILTER REGULATOR LUBRICATOR

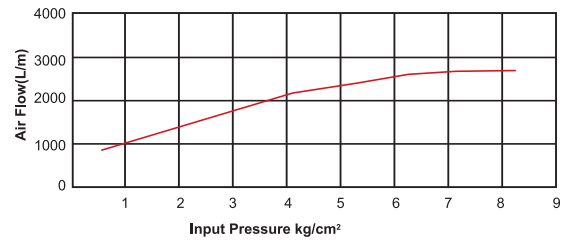
## SV-3260 / 3360

FILTER,REGULATOR,LUBRICATOR

Air inlet : 1/4" , 3/8"



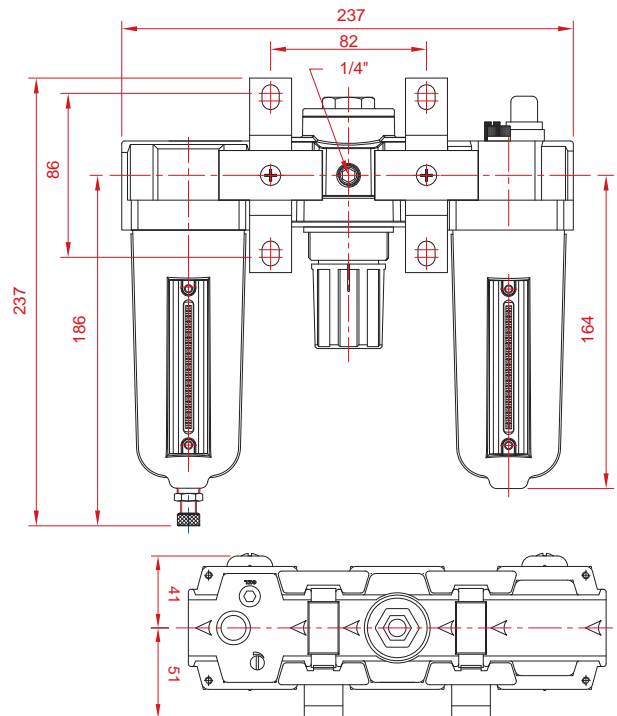
SV2260/3260 Air Flow Chart SV-3260  
SV-3360



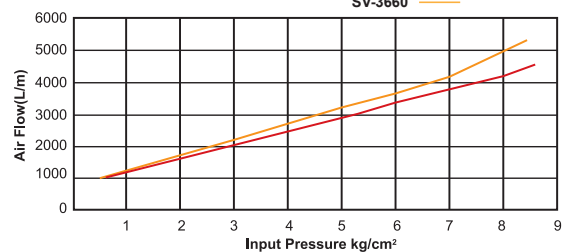
## SV-3460

FILTER,REGULATOR,LUBRICATOR

Air inlet : 1/2"



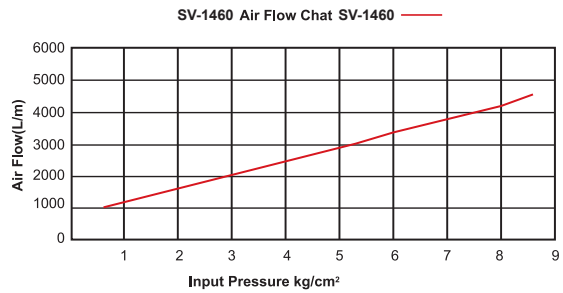
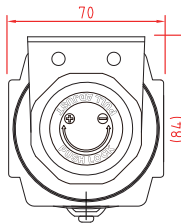
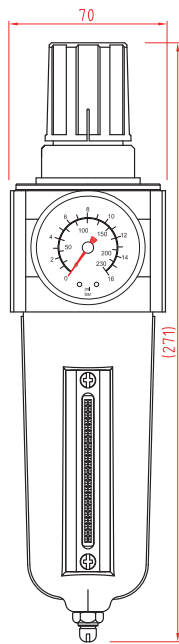
SV2460/3460 Air Flow Chart SV-2460 SV-3460  
SV-3660



# SV-1460

**FILTER,REGULATOR**

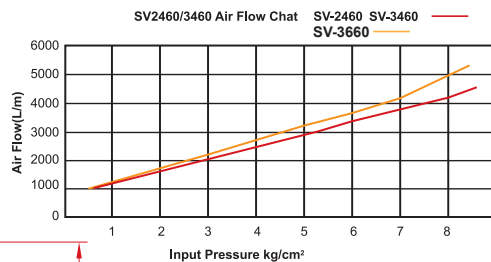
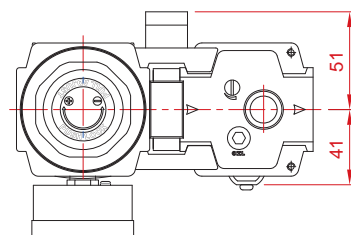
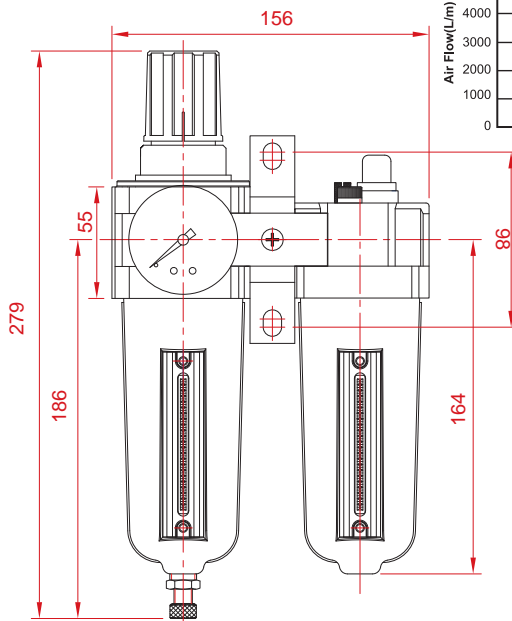
Air inlet : 1/2"



# SV-2460

**FILTER,REGULATOR,LUBRICATOR**

Air inlet : 1/2"



	Air in / outlet inch	Max Input Pressure PSI	Max Output Pressure PSI	Max.Flow L/min	Working Temperature °C	Drain Capacity ml	Oil Capacity ml	Filter Element μ (micro)
	—	—	—	—	Working	—	—	
SV-1460	1/2"	215	145	3000	5~60°	80	-----	5μ
SV-2460	1/2"	250	7-215	4000	5~60°	80	150	5μ
SV-3260/3360	1/4" / 3/8"	215	70-150	1750 / 2500	5~60°	80	150	5μ
SV-3460	1/2"	250	7-215	4000	5~60°	80	150	5μ

# FILTER REGULATOR LUBRICATOR

FILTER REGULATOR LUBRICATOR

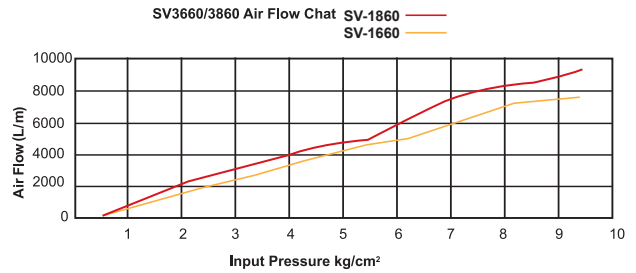
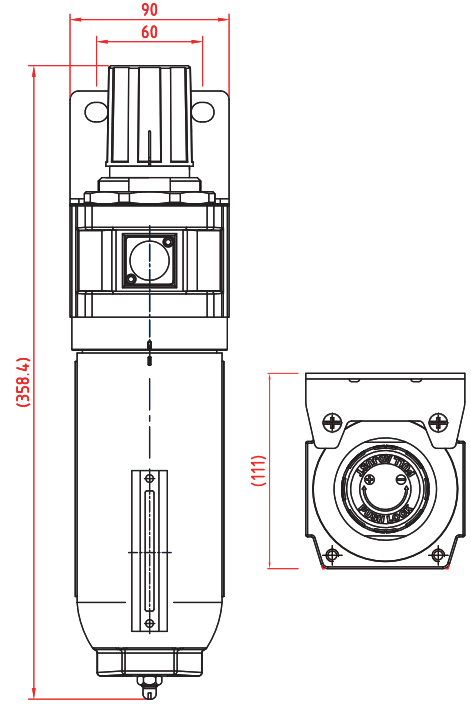
## SV-1660

FILTER,REGULATOR  
Air inlet : 3/4"



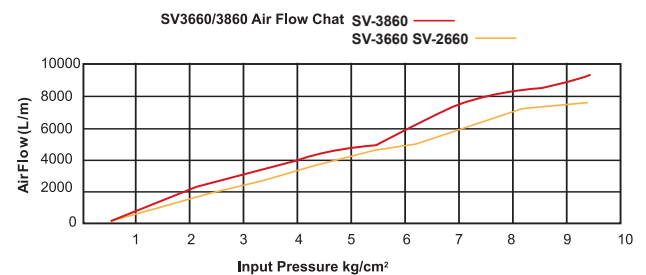
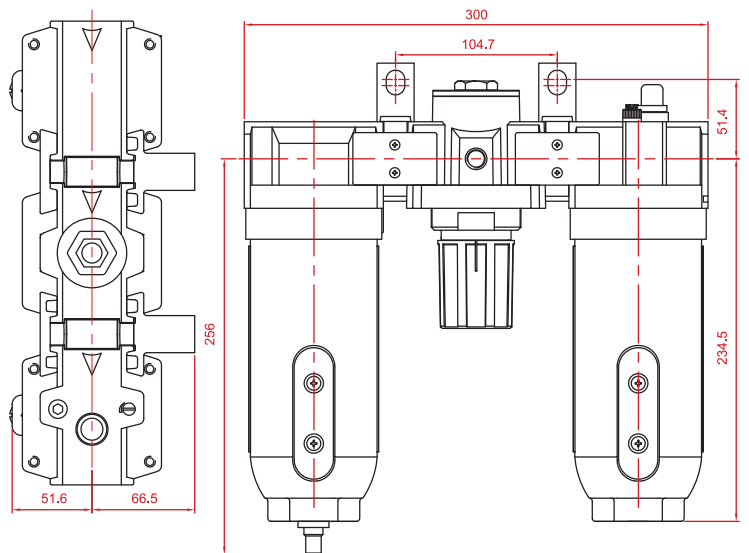
## SV-1860

FILTER,REGULATOR  
Air inlet : 1"



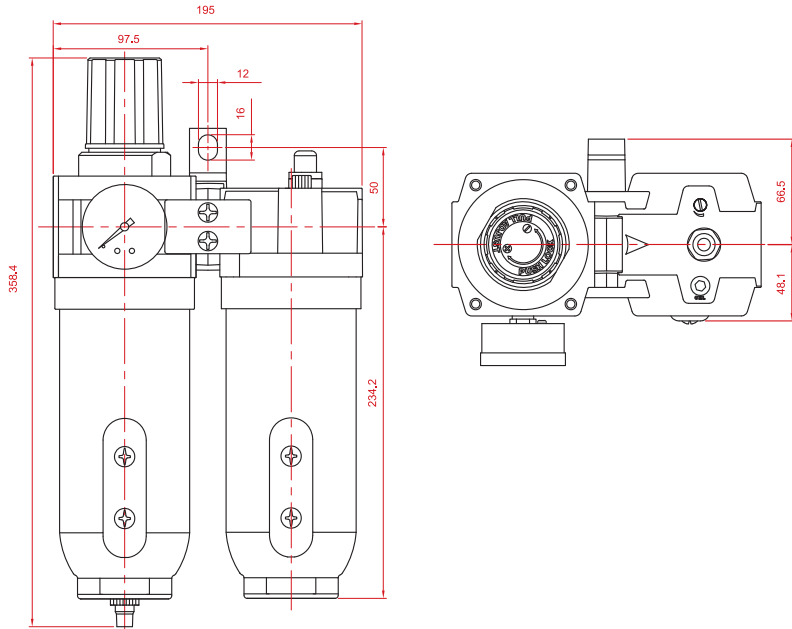
## SV-3660/3860

FILTER,REGULATOR,LUBRICATOR  
Air inlet : 3/4" / 1"



# SV-2660/2860

FILTER,REGULATOR,LUBRICATOR  
Air inlet : 3/4" / 1"




# SW-12(1/4") SW-13(3/8")

Mini Lubricator

- Install in the air hose to provide automatic lubrication.
- 8c.c. Lubricating oil capacity.



	Air in / outlet inch	Max Input Pressure PSI	Max Output Pressure PSI	Max.Flow L/min	Working Temperature °C	Drain Capacity ml	Oil Capacity ml	Filter Element μ (micro)
	—	—	—	—	Working	—	—	
SV-1660	3/4"	250	225	4600	5~60°	300	----	5μ
SV-1860	1"	250	225	5200	5~60°	300	----	5μ
SV-2660/2860	3/4" / 1"	250	225	4600 /5200	5~60°	300	300	5μ
SV-3660/3860	3/4" / 1"	250	225	4600 /5200	5~60°	300	350	5μ

# AIR HOSE REEL

## SA-2015

### AIR HOSE REEL

- "Commercial grade auto-rewind air hose reels have features like steel construction, heavy-duty hoses, Durable spring-powered recoil and 16 teeth gear to ensure repeated use and reliability."

**Case Material :** Steel

Air inlet : 1/4" - Male



## SA-3215 SA-3315

### AIR HOSE REEL

**Case Material :** Shock-proof plastic

Air inlet : 1/4" - Male



## SA-4320

### AIR HOSE REEL

**Case Material :** Steel

Air inlet : 3/8" - Male



## SA-4420

### AIR HOSE REEL

**Rack Material :** Steel

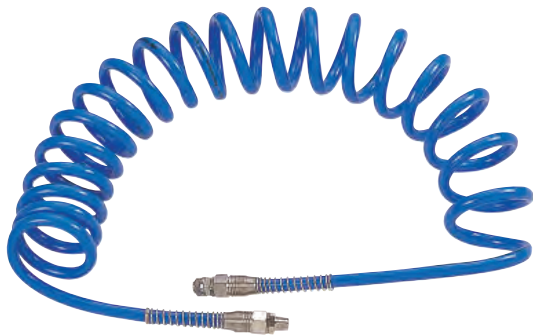
Air inlet : 1/2" - Male



## SD-23/SD-24

### POLYURETHANE RECOIL AIR-HOSE

- Spring guards protects both ends of the hose. Both ends have male 360° swivel fittings.
- Temperature resistance from -20° C ~ +70° C.



## SD-22

### 8 X 12 AIR HOSE

24 braids covered PU tube brings the anti-explosion capability up to 350 psi.

Spring guards protects both ends of the hose. Both ends have male 360° swivel fittings.

Temperature resistance from -20° C ~ +70° C.



	Hose Inside Diameter mm	Hose outside Diameter mm	Hose Length M	Working Pressure PSI(bar)	Maximum Pressure PSI(bar)	Male PT Fitting inch	Weight kg
SA-2015	8.0	12.0	15	101.5 (7.0)	284.4(17.8)	1/4"	6.2
SA-3215	8.0	12.0	15	90 (6.3)	300(20.7)	1/4"	5.0
SA-3315	10.0	15.0	15	90 (6.3)	300(20.7)	3/8"	6.0
SA-4320	10.0	18.0	20	90 (6.3)	300(20.7)	3/8"	24.0
SA-4420	13.0	23.0	20	90 (6.3)	300(20.7)	1/2"	29.0
SD-22107	8.0	12.0	7.5	101.5 (7.0)	284.4(17.8)	1/4"	0.8
SD-22115	8.0	12.0	15	101.5 (7.0)	284.4(17.8)	1/4"	1.4
SD-22130	8.0	12.0	30	101.5 (7.0)	284.4(17.8)	1/4"	2.6
SD-23110	8.0	12.0	10	101.5 (7.0)	284.4(17.8)	1/4"	0.8
SD-23115	8.0	12.0	15	101.5 (7.0)	284.4(17.8)	1/4"	1.2
SD-23210	5.0	8.0	10	101.5 (7.0)	284.4(17.8)	1/4"	0.4
SD-23215	5.0	8.0	15	101.5 (7.0)	284.4(17.8)	1/4"	0.6
SD-23315	10	15.0	15	101.5 (7.0)	284.4(17.8)	3/8"	1.9
SD-24415	13	18.0	15	101.5 (7.0)	284.4(17.8)	1/2"	2.1



# WORKING CHAIR

WORKING CHAIR



## QP-123QP

- Air Pistol Sander, 3" Pad Dia
- 1/4" Air Adaptor Couplings Male Thread Type
- QP-113 :Air Pistol Sander, 3" Pad Dia
- 3" Sponge (Rough) & 3" Sponge (Medium)
- QP-123 :Air Pistol Polisher, 3" Pad Dia



# ST-10C521 ST-10C522S

**mobile working chair**

- Color: red/black anti scratch paint
- Seat cushion materials: high graded artificial PVC leather with sponge
- Product sizes: long 350mm width 260mm height 240mm, excl. wheels Drawer height: 70mm
- Product feature: storage daily needed tools reduce squatting fatigue, movable willingly



ST-10C522  
1 Drawer Design



ST-10C521



## ST-11B7

	LENGTH (MM)	WIDTH (MM)	HEIGHT (MM)	QTY
CABINET	680	460	830	
DRAWER	580	406	70	
	580	406	145	

**CORDLESS TOOLS**

# **CORDLESS TOOLS**



# DJS-25502A

## 20V Jig Saw

### Key Spec:

- Stroke Length: 25mm (1inch)
- No Load Speed: 0-2200
- Variable Speed
- Keyless Accessory Change
- LED Light
- Accessories: 5.0Ah battery x 2pcs; charger x 1pc
- Packaging: BMC

## FEATURES

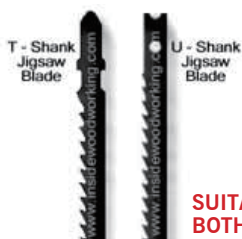
1. Variable speed trigger for precision speed and control.
2. Electric brake quickly stops the blade motion.
3. 4-Position orbital action for cutting versatility in a variety of materials.
4. Adjustable shoe bevels from 0 - 45 degrees (left/right).
5. Tool-less blade change allows for fast blade changes; accepts "T" and "U" shank Jigsaw blades.
6. LED work light.

### SPEC

VARIABLE SPEEDS 0-2,200 SPM( No-load)  
STROKE LENGTH 1"

### CUTTING CAPACITY:

2-1/2" (Wood);3/8" (Aluminum);1/4" (Steel)



SUITABLE FOR  
BOTH T & U SHANK



# DG-585502A

## 5" Angle Grinder

### Key Spec:

- Power: 20V
- No Load Speed: 8000RPM
- Cutting Disk: 125mm (NOT INCLUDED)
- Spindle thread: M14

### Accessories:

- 5.0Ah battery x 2pcs
- Charger x 1pc
- Guard spanner x 1pc
- Aux handle x 1pc
- Packaging: color box charger x 1pc
- Packaging: color box

## FEATURES

1. Tool-less adjustable guard for quick and easy adjustments.
2. Spindle lock for quick and easy disc changes.
3. 2-Position handle.
4. Lock-on switch for continuous operation





## **BRUSHLESS DD-20502**

20V BL Motor Drill Driver

Key Spec:

- Speed: 0-450RPM/0-1750RPM
- Setting: 23+1
- Max Torque: 68N.m
- Chuck Size: 1/2"
- Accessory: 2pcs 5.0Ah Li-ion battery+ 1pc charger +2pcs bits
- Package: BMC

## **FEATURES**

1. Jacobs® 1/2" Ratcheting , single-sleeve keyless metal chuck.
2. LED work light on the foot with after-glow.
3. Brushless motor technology delivers longer motor life, more power and more run-time.
4. Removable bit holder and belt clip.
5. Electric brake quickly stops the chuck rotation.
6. Removable bit holder and belt clip.



# DS-10202

## Cordless Impact Driver

- + Max. torque 100 NM
- + Quick charge-up in 30 minutes
- + Battery x 2pcs included for a longer period of usage
- + LED lamp to light up the working area
- + Battery applicable to all m7 12V cordless models.



### Cordless tools

# DW-18502 [ KIT ]

## Cordless Impact Wrench

### CONTENTS

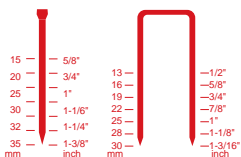
- 2pcs 20V 5.0 Ah Lithium-ion
- 1pc Lithium-ion Battery Charger
- + Max. torque 1220 NM / 900 FT-LB
- + Quick charge-up in 60 minutes
- + 5.0 Ah battery x 2 pcs included for a longer period of usage.
- + LED lamp to light up the working area
- + Battery level LED indicator
- + Braking function not to damage the screwed object.f



# DJ-1835

## Cordless Nailer gun

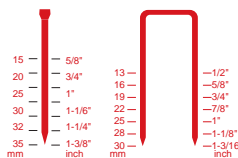
- + housing : Nylon/Glass Fiber w/soft grip
- + Trigger Switch : Two-finger w/soft padding
- + Rated Voltage : 110-120V / 220-240V
- + DC:18V 2.0Ah Li-ion
- + Max Firing speed :30 shots/min



# AJ-1835

## Electric Nailer gun

- + housing : Nylon/Glass Fiber w/soft grip
- + Trigger Switch : Two-finger w/soft padding
- + Rated Voltage : 220v-240v
- + Max Firing speed :30 shots/min



	Nail Type	Crown	Shank	Length	Gauge	Dimensions	Load Capacity	Weight
		mm	Thickness / width					
		mm	mm	mm		(mm)(HxWxL)	(pcs)	(kg)
AJ-1835	Brad	---	1.0/1.25	15~35	18	231 x 68 x 272	100	1.9
	Staple	5.8	1.0/1.25	13~30	18			
DJ-1835	Brad	---	1.0/1.25	15~35	18	265 x 82 x 245	100	3.3
	Staple	5.8	1.0/1.25	13~30	18			

	Chuck size	Max. drill capacity	Bolt capacity	Battery	Max. torque	No load speed	Impact rate	Torque setting	Weight
	inch / mm	mm(steel / wood)	---	Li-ion Ah	Nm	rpm	bpm	---	kg
DW18502	1/2" / 12.7	---	M6 ~ M24	5.0	1220	0~1900	0~2200	-----	3.2
DS10202	1/4" / 6.00	---	M4 ~ M12	2.0	100	0~2200	0~3000	-----	1.0

# TORQUE WRENCH

TORQUE WRENCH

## ★★★ TE-442210 TE-205025N / 225250N TE-305025N / 320110N TE-428210N / 450350N

1/2" 3/8" 1/4" Torque Wrench, 42-210Nm, Engrave Nm / ft-lb scale  
Accuracy of torque +/- 4% ; Quality meets DIN ISO 6789 & ASME B107.300-2010

12 pieces in one carton



## ★★★ ADJUSTABLE TORQUE WRENCH BACK TUNING TYPE

1/2" TORQUE WRENCH, Window display. Nm / ft-lb scale, Back Tuning  
TW-402102N / TW-404202N / TW-406302N / TW-408402N

3/4" TORQUE WRENCH, Window display. Nm / ft-lb scale, Back Tuning  
TW-611552N / TW-615752N  
Accuracy of torque +/- 4% DIN ISO-6789 AMSE B107.14-2004

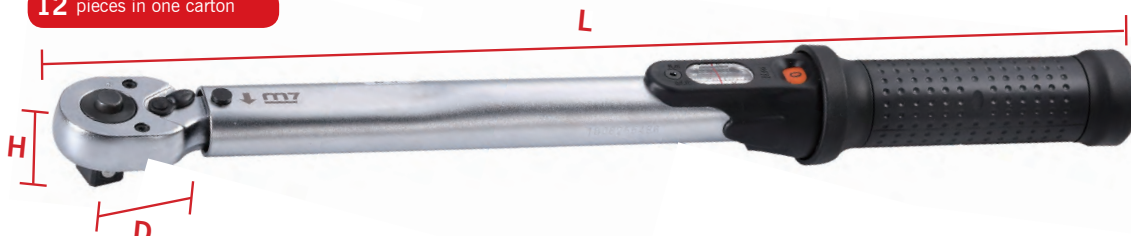
10 pieces in one carton



## ★★★ TW-411102 TW-412202

1/2" TORQUE WRENCH, Window display. Nm / ft-lb scale, Back Tuning

12 pieces in one carton



## ★★★ TW-210222

1/4" Torque Wrench, Window display. Nm / ft-lb scale, Back Tuning

24 pieces in one carton



# ★★ TW-310552

3/8" Torque Wrench, Window display. Nm / ft-lb scale, Back Tuning

24 pieces in one carton



# ★★ TW-611602 TW-611802 TW-612102

3/4" Torque Wrench, Window display. Nm / ft-lb scale, Back Tuning

2 pieces in one carton



	Drive	Torque Range (Nm)	Torque Range (ft-lb)	Indicator	Torque Adjusting	D mm	H mm	L mm	Weight kg
TE-205025N	1/4"	5-25	3.69-18.4	Engrave	Rotating	32	31.8	275	0.59
TE-225250N	1/4"	2.8-28.2	2-20	Engrave	Rotating	32	31.8	275	0.59
TE-305025N	3/8"	5-25	3.69-18.	Engrave	Rotating	32	31.8	370	0.83
TE-320110N	3/8"	20-110	14.8-81.1	Engrave	Rotating	32	31.8	370	0.83
TE-442210	1/2"	42-210	30.6-155	Engrave	Rotating	46.3	33	450	1.32
TE-428210N	1/2"	28-210	20.7-154.9	Engrave	Rotating	46.3	33	570	1.65
TE-450350N	1/2"	50-350	36.9-258.1	Engrave	Rotating	46.3	33	450	1.31
TW-210222	1/4"	2-25	1.5 - 18	Magnifying glass	Back Tuning	40.5	40	296	0.41
TW-310552	3/8"	5 - 50	3.5 - 37	Magnifying glass	Back Tuning	40.5	40	333	0.47
TW-411102	1/2"	10-100	8-75	Magnifying glass	Back Tuning	40.5	40	400	0.82
TW-412202	1/2"	20-200	10-150	Magnifying glass	Back Tuning	40.5	40	500	1.3
TW-402102	1/2"	20-100	15-75	Magnifying glass	Back Tuning	40.5	40	405	1.02
TW-404202	1/2"	40-200	30-150	Magnifying glass	Back Tuning	40.5	40	500	1.20
TW-406302	1/2"	60-300	45-200	Magnifying glass	Back Tuning	40.5	40	595	1.33
TW-408402	1/2"	80-400	60-300	Magnifying glass	Back Tuning	40.5	40	680	1.82
TW-611552	3/4"	110-550	75-405	Magnifying glass	Back Tuning	63.0	58	970	3.70
TW-615752	3/4"	150-750	112.5-555	Magnifying glass	Back Tuning	63.0	58	1150	5.60
TW-611602	3/4"	100 - 600	75 - 440	Magnifying glass	Back Tuning	63	58.5	1040	4.65
TW-611802	3/4"	150 - 800	110 - 590	Magnifying glass	Back Tuning	63	58.5	1240	5.45
TW-612102	3/4"	200 - 1000	150 - 740	Magnifying glass	Back Tuning	63	58.5	1240	5.45



**IMPACT SOCKET**

# **IMPACT SOCKET**

## MB34012S

12PCS 3/8" Drive Impact Socket Set

12 sets in one carton

Contents :5/16",3/8",7/16",1/2",9/16",5/8",11/16",  
3/4",13/16",7/8",15/16",1"



## MB35013M

13PCS 3/8" Drive Deep Impact Socket Set

8 sets in one carton

Contents :6mm,8mm,9mm,10mm,11mm,12mm,13 mm,  
14mm,15mm,16mm,17mm,18mm,19mm



## MB34013M

13PCS 3/8" Drive Impact Socket Set

12 sets in one carton

Contents :6mm,8mm,9mm,10mm,11mm,12mm,13mm,  
14mm,15mm,16mm,17mm,18mm,19mm



## MB43015M

15PCS 1/2" Drive Deep Impact Socket Set

6 sets in one carton

Contents : 10mm 11mm 12mm 13mm 14mm 15mm 16mm  
17mm 19mm 21mm 22mm 24mm 27mm 30mm 32mm



## MB44013S

13PCS 1/2" Drive Impact Socket Set

6 sets in one carton

Contents :7/16",1/2",9/16",5/8",11/16",3/4",13/16",  
7/8",15/16",1",1-1/16", 1-1/8" 1-1/4"



## MB35012S

12PCS 3/8" Drive Deep Impact Socket Set

8 sets in one carton

Contents :5/16",3/8",7/16",1/2",9/16",5/8",11/16",3/4",  
13/16",7/8",15/16",1"



## MB44014M

14PCS 1/2" Drive Impact Socket Set

8 sets in one carton

Contents :10mm,11mm,12mm,13mm,14mm,15mm,16  
mm, 17mm,18mm,19mm,21mm,22mm,26mm,27mm



# IMPACT SOCKET

IMPACT  
SOCKET

## MB45010M

10PCS 1/2" Drive Deep Impact Socket Set

6 sets in one carton

Contents : 10mm, 12mm, 13mm, 14mm, 15mm, 17mm, 19mm, 21mm, 24mm, 27mm



## MB45013S

13PCS 1/2" Drive Deep Impact Socket Set

4 sets in one carton

Contents : 7/16", 1/2", 9/16", 5/8", 11/16", 3/4", 13/16", 7/8", 15/16", 1", 1-1/16", 1-1/8", 1-1/4"



## MB45014M

14PCS 1/2" Drive Deep Impact Socket Set

4 sets in one carton

Contents : 10mm, 11mm, 12mm, 13mm, 14mm, 15mm, 16mm, 17mm, 18mm, 19mm, 21mm, 22mm, 26mm, 27mm



## MB64008M

14PCS 3/4" Drive Impact Socket Set

4 sets in one carton

Contents : 26mm, 27mm, 29mm, 30mm, 32mm, 33mm, 35mm, 36mm



## MB64008S

8PCS 3/4" Drive Impact Socket Set

4 sets in one carton

Contents : 1", 1-5/16", 1-1/16", 1-3/8", 1-1/8", 1-7/16", 1-1/4", 1-1/2"



## MB64008SP

8PCS 3/4" Drive Impact Socket Set

4 sets in one carton

Contents : 3/4", 7/8", 15/16", 1-1/16", 1-3/16", 1-1/4", 1-7/16", 1-1/2"



## MB-65008S

8PCS 3/4" DRIVE DEEP IMPACT SOCKET SET

2 sets in one carton

Contents : 1", 1-1/16", 1-1/8", 1-1/4", 1-5/16", 1-3/8", 1-7/16", 1-1/2"



## MB-65008M

8PCS 3/4" DRIVE DEEP IMPACT SOCKET SET

4 sets in one carton

Contents : 26mm, 27mm, 29mm, 30mm, 32mm, 33mm, 35mm, 36mm



## MB-44008S

8PCS 1/2" DRIVE SAE IMPACT HEX DRIVE SET(LENGTH 78mm)

12 sets in one carton

Contents : 1/4", 5/16", 3/8", 7/16", 1/2", 9/16", 5/8", 3/4"



## MB-65008S1

8PCS 3/4" DRIVE DEEP IMPACT SOCKET SET

2 sets in one carton

Contents : 3/4", 7/8", 15/16", 1", 1-1/16", 1-1/18", 1-3/16", 1-1/4"



## MB-44008M

1/2" DRIVE SAE IMPACT HEX DRIVE SET

12 sets in one carton

Contents : H6, H7, H8, H10, H12, H14, H17, H19



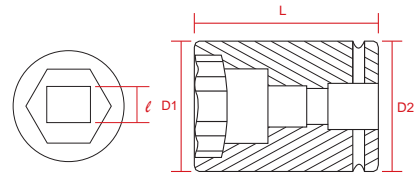
# IMPACT SOCKET

IMPACT SOCKET

## MA-8050

5 PCS 1" Dr. COMBINATION BUDD WHEEL IMPACT SOCKET SET

4 sets in one carton



M7 NO.		D1	D2	l	L			
	mm	mm	mm	mm	mm	g		
MA812S4826	1-1/2"	57	57	13/16"	99	1.34	1/1	
MA812M3517	35	52	54	17	94	1.10	1/1	
MA812M3820	38	54	56	20	96	1.18	1/1	
MA812M4121	41	54	58	21	99	1.19	1/1	
MA831M33L	33	52	52		90	1.01	1/1	
MA8050	---	---	---	---	---	6.20	1/4	

## MA-4030

3 PCS 1/2" DR. DEEP IMPACT SOCKET SET

24 sets in one carton

- Contents : 17mm, 19mm, 21mm By identifying the different color coated, the operator can easily pick up the size needed.
- With the external sheath, the working object can be well protected from being rubbed, scratched, impacted...etc.
- With the 85mm extra long socket, to loosen or tighten bolt or nut in deeper hole become easier and convenient.

**Note:** Impact socket for aluminum rim wheel nuts, with polymeric material insets.



## MA-4031M85

3 PCS 1/2" DR. DEEP THIN WALL IMPACT SOCKET SET

20 sets in one carton

**STRENGTHEN STEEL SLEEVE**

3PCS 17mm.19mm.21mm



## MA-42015

15pcs 1/2" Driver Stubby Metric Size impact Socket SET

12 sets in one carton



M7 NO.		D1	D2	T	L			
	mm	mm	mm	mm	mm	g		
MA401M10	10	18	25	5	28	50	15/10	
MA401M11	11	18	25	5	28	50	15/10	
MA401M12	12	19	25	5	28	50	15/10	
MA401M13	13	20	25	5	28	52	15/10	
MA401M14	14	22	25	5	28	53	15/10	
MA401M15	15	23	25	5	28	55	15/10	
MA401M16	16	25	25	8	28	62	15/10	
MA401M17	17	26	26	8	28	67	15/10	

M7 NO.		D1	D2	T	L			
	mm	mm	mm	mm	mm	g		
MA401M18	18	28	28	8	28	82	15/10	
MA401M19	19	28	28	9	28	75	15/10	
MA401M20	20	30	30	9	28	90	15/10	
MA401M21	21	30	30	9	28	86	15/10	
MA401M22	22	32	30	9	28	94	15/10	
MA401M23	23	34	30	9	28	102	15/10	
MA401M24	24	34	30	9	28	98	15/10	

**PROVIDE FULL RANGE  
ALL SERIES HANG TAG.**

**IMPACT SOCKET**



**MALE ADAPTER**

**IMPACT DEEP SOCKET**



**UNIVERSAL JOINT**

**IMPACT HEX BIT**



**EXTENSION BAR**



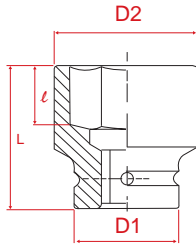
# IMPACT SOCKET

IMPACT SOCKET

## 1/4"MA211M

### Impact Standard Socket

- 1/4" drive standard Length
- 6 points
- Metric size

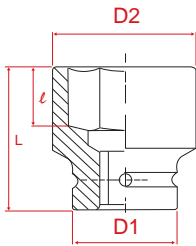


M7 NO.	⊙	D1	D2	l	L	⚖	📦
	mm	mm	mm	mm	mm	g	
MA211M04	4	13.0	7.5	5	23	16	10
MA211M05	5	13.0	8.7	6	23	16	10
MA211M06	6	13.0	9.9	8	23	15	10
MA211M07	7	13.0	11.1	8	23	14	10
MA211M08	8	13.0	12.3	8	23	14	10
MA211M09	9	13.0	13.8	8	23	14	10
MA211M10	10	13.0	14.5	8	23	15	10
MA211M11	11	13.0	16.0	8	23	17	10
MA211M12	12	13.0	17.0	8	23	17	10
MA211M13	13	13.0	18.8	8	23	20	10
MA211M14	14	13.0	20.0	8	23	21	10

## 1/4"MA211S

### Impact Standard Socket

- 1/4" drive standard Length
- 6 points
- Inch size

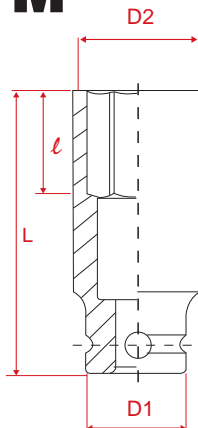


M7 NO.	⊙	D1	D2	l	L	⚖	📦
	mm	mm	mm	mm	mm	g	
MA211S06	3/16"	13.0	8.4	6	23	15	10
MA211S07	7/32"	13.0	9.4	6	23	16	10
MA211S08	1/4"	13.0	10.3	8	23	15	10
MA211S09	9/32"	13.0	11.3	8	23	15	10
MA211S10	5/16"	13.0	12.3	8	23	14	10
MA211S11	11/32"	13.0	13.8	8	23	14	10
MA211S12	3/8"	13.0	14.5	8	23	15	10
MA211S14	7/16"	13.0	16.0	8	23	16	10
MA211S16	1/2"	13.0	18.8	8	23	19	10
MA211S18	9/16"	13.0	19.8	8	23	21	10

## 1/4"MA231M

### Impact Deep Socket

- 1/4" drive Deep Length
- 6 points
- Metric size

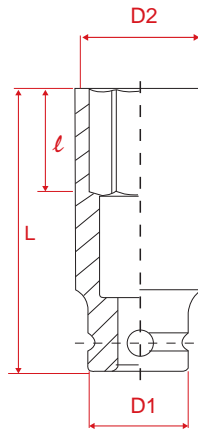


M7 NO.	⊙	D1	D2	l	L	⚖	📦
	mm	mm	mm	mm	mm	g	
MA231M04	4	13.0	7.5	7	50	28	10
MA231M05	5	13.0	8.7	9	50	29	10
MA231M06	6	13.0	9.9	11	50	31	10
MA231M07	7	13.0	11.1	11	50	31	10
MA231M08	8	13.0	12.3	13	50	31	10
MA231M09	9	13.0	13.8	13	50	37	10
MA231M10	10	13.0	14.5	13	50	37	10
MA231M11	11	13.0	16.0	13	50	41	10
MA231M12	12	13.0	17.0	13	50	43	10
MA231M13	13	13.0	18.8	13	50	58	10
MA231M14	14	13.0	20.0	13	50	60	10

# 1/4"MA231S

## Impact Deep Socket

- 1/4" drive Deep Length
- 6 points
- Inch size

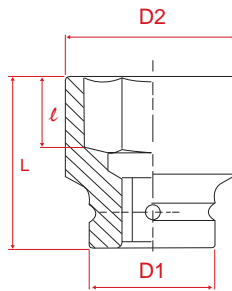


M7 NO.	⊙	D1	D2	l	L	⚖	📦
	mm	mm	mm	mm	mm	g	
MA231S06L	3/16"	13.0	8.4	9	50	29	10
MA231S07L	7/32"	13.0	9.4	9	50	30	10
MA231S08L	1/4"	13.0	10.3	11	50	31	10
MA231S09L	9/32"	13.0	11.3	11	50	32	10
MA231S10L	5/16"	13.0	12.3	13	50	32	10
MA231S11L	11/32"	13.0	13.8	13	50	37	10
MA231S12L	3/8"	13.0	14.5	13	50	41	10
MA231S14L	7/16"	13.0	16.0	13	50	41	10
MA231S16L	1/2"	13.0	18.8	13	50	56	10
MA231S18L	9/16"	13.0	19.8	13	50	61	10

# 3/8"MA311M

## Impact Standard Socket

- 3/8" drive standard Length
- 6 points
- Metric size

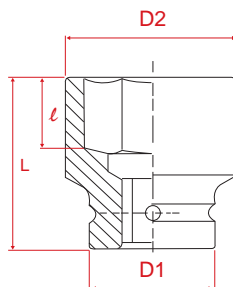


M7 NO.	⊙	D1	D2	l	L	⚖	📦
	mm	mm	mm	mm	mm	g	
MA311M06	6	19.0	10.0	9	29.5	31	10
MA311M07	7	19.0	11.4	9	29.5	31	10
MA311M08	8	19.0	12.7	9	29.5	31	10
MA311M09	9	19.0	14.0	10	29.5	33	10
MA311M10	10	19.0	15.2	10	29.5	33	10
MA311M11	11	19.0	17.0	11	29.5	34	10
MA311M12	12	19.0	18.0	11	29.5	35	10
MA311M13	13	19.0	19.0	11	29.5	36	10
MA311M14	14	19.0	20.0	11	29.5	37	10
MA311M15	15	19.0	21.9	13	29.5	42	10
MA311M16	16	22.0	23.5	13	30.0	57	10
MA311M17	17	22.0	25.0	13	30.0	59	10
MA311M18	18	22.0	26.0	13	30.0	61	10
MA311M19	19	22.0	27.0	15	30.0	63	10
MA311M20	20	22.0	28.0	15	30.0	79	10
MA311M21	21	22.0	30.0	15	30.0	79	10
MA311M22	22	22.0	32.0	15	30.0	98	10
MA311M23	23	22.0	33.0	15	30.0	98	10
MA311M24	24	22.0	34.0	15	30.0	98	10

# 3/8"MA311S

## Impact Standard Socket

- 3/8" drive standard Length
- 6 points
- Inch size



M7 NO.	⊙	D1	D2	l	L	⚖	📦
	mm	mm	mm	mm	mm	g	
MA311S10	5/16"	19.0	12.6	9.0	29.5	31	10
MA311S12	3/8"	19.0	14.6	10.0	29.5	33	10
MA311S14	7/16"	19.0	17.1	11.0	29.5	33	10
MA311S16	1/2"	19.0	19.0	11.0	29.5	37	10
MA311S18	9/16"	19.0	20.0	11.0	29.5	39	10
MA311S20	5/8"	22.0	23.5	13.0	30.0	54	10
MA311S22	11/16"	22.0	25.0	13.0	30.0	56	10
MA311S24	3/4"	22.0	27.0	15.0	30.0	63	10
MA311S26	13/16"	22.0	30.0	15.0	30.0	79	10
MA311S28	7/8"	22.0	32.0	15.0	30.0	87	10
MA311S30	15/16"	22.0	34.0	15.0	30.0	98	10
MA311S32	1"	22.0	36.0	15.0	30.0	100	10



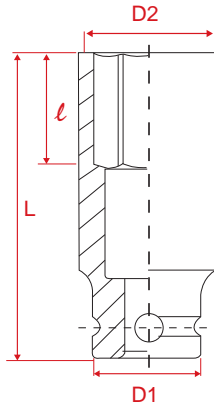
# IMPACT SOCKET

IMPACT SOCKET

## 3/8" MA331M

Impact Deep Socket

- 3/8" drive Deep Length
- 6 points
- Metric size

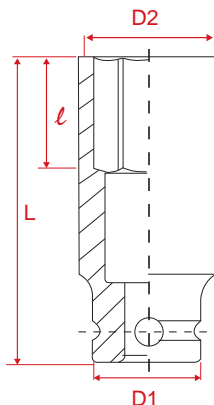


M7 NO.	⊙	D1	D2	l	L	⚖	📦
	mm	mm	mm	mm	mm	g	
MA331M06	6	19.0	10.1	14	63	73	10
MA331M07	7	19.0	11.4	14	63	73	10
MA331M08	8	19.0	12.7	14	63	73	10
MA331M09	9	19.0	14.0	14	63	75	10
MA331M10	10	19.0	15.2	20	63	76	10
MA331M11	11	19.0	17.0	20	63	81	10
MA331M12	12	19.0	18.0	22	63	78	10
MA331M13	13	19.0	19.0	24	63	86	10
MA331M14	14	19.0	20.0	26	63	93	10
MA331M15	15	19.0	22.2	27	63	102	10
MA331M16	16	22.0	23.5	26	63	115	10
MA331M17	17	22.0	25.0	26	63	127	10
MA331M18	18	22.0	26.0	26	63	137	10
MA331M19	19	22.0	27.0	26	63	143	10
MA331M20	20	22.0	28.0	26	63	143	10
MA331M21	21	22.0	30.0	26	63	194	10
MA331M22	22	22.0	32.0	26	63	206	10
MA331M23	23	22.0	33.0	26	63	206	10

## 3/8" MA331S

Impact Deep Socket

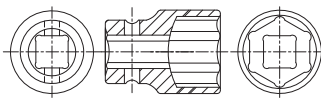
- 3/8" drive Deep Length
- 6 points
- Inch size



M7 NO.	⊙	D1	D2	l	L	⚖	📦
	mm	mm	mm	mm	mm	g	
MA331S10	5/16"	19.0	12.6	14	63	73	10
MA331S12	3/8"	19.0	14.6	20	63	76	10
MA331S14	7/16"	19.0	17.1	20	63	81	10
MA331S16	1/2"	19.0	19.0	24	63	83	10
MA331S18	9/16"	19.0	20.0	26	63	87	10
MA331S20	5/8"	22.0	23.5	26	63	111	10
MA331S22	11/16"	22.0	25.0	26	63	125	10
MA331S24	3/4"	22.0	27.0	26	63	142	10
MA331S26	13/16"	22.0	30.0	26	63	178	10
MA331S28	7/8"	22.0	32.0	26	63	188	10
MA331S30	15/16"	22.0	34.0	26	63	232	10
MA331S32	1"	22.0	36.0	26	63	249	10

## MA42006M

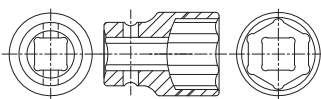
1/2" Drive Stubby Metric Size impact Socket SET



M7 NO.	⊙	D1	D2	l	L	⚖	📦
	mm	mm	mm	mm	mm	mm	g
MA401M13	13	20	25	5	28	54	6/40
MA401M17	17	26	26	8	28	70	6/40
MA401M19	19	28	28	9	28	80	6/40
MA401M21	21	30	30	9	28	90	6/40
MA401M22	22	32	30	9	28	100	6/40
MA401M24	34	34	30	9	28	110	6/40

## MA42006S

1/2" Drive Stubby Inch Size impact Socket SET

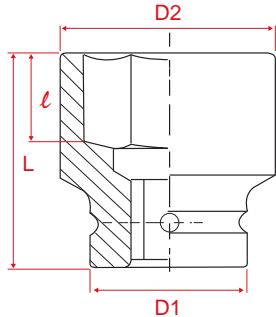


M7 NO.	⊙	D1	D2	l	L	⚖	📦
	mm	mm	mm	mm	mm	mm	g
MA401S13	1/2"	20	25	5	28	54	6/40
MA401S17	9/16"	22	25	5	28	70	6/40
MA401S19	5/8"	25	25	8	28	80	6/40
MA401S21	11/16"	26	25	8	28	90	6/40
MA401S22	3/4"	28	30	9	28	100	6/40
MA401S24	7/8"	32	30	9	28	110	6/40

# 1/2"MA411M

Impact Standard Socket

- 1/2" drive standard Length
- 6 points
- Metric size

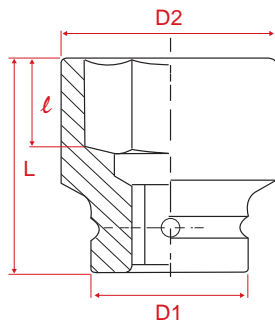


M7 NO.	⊙	D1	D2	l	L	⚖	📦
	mm	mm	mm	mm	mm	g	
MA411M08	8	24.9	14.5	9	38	80	10
MA411M09	9	24.9	15.6	10	38	80	10
MA411M10	10	24.9	16.7	10	38	71	10
MA411M11	11	24.9	18.0	10	38	72	10
MA411M12	12	24.9	19.0	11	38	72	10
MA411M13	13	24.9	20.2	11	38	74	10
MA411M14	14	24.9	21.5	11	38	77	10
MA411M15	15	24.9	23.0	12	38	78	10
MA411M16	16	24.9	24.9	12	38	82	10
MA411M17	17	25.0	25.9	13	38	84	10
MA411M18	18	25.0	26.9	13	38	88	10
MA411M19	19	25.0	29.9	13	38	88	10
MA411M20	20	25.0	29.9	13	38	90	10
MA411M21	21	30.0	32.0	14.5	38	93	10
MA411M22	22	30.0	32.0	14.5	38	134	10
MA411M23	23	30.0	34.0	16	42	138	10
MA411M24	24	30.0	36.0	17	42	138	10
MA411M25	25	30.0	36.0	17	42	150	10
MA411M26	26	30.0	38.0	17	42	158	10
MA411M27	27	30.0	40.0	19	46	159	10
MA411M30	30	30.0	41.9	19	46	222	10
MA411M31	31	30.0	43.9	20.5	46	244	10
MA411M32	32	30.0	43.9	20.5	46	238	10
MA411M33	33	35.0	45.9	22	46	290	10
MA411M34	34	35.0	45.9	22	46	330	10
MA411M35	35	35.0	49.9	22	50	357	10
MA411M36	36	35.0	49.9	22	50	376	10
MA411M37	37	44.0	50.9	25	50	380	10
MA411M38	38	44.0	51.9	25	50	390	10

# 1/2"MA411S

Impact Standard Socket

- 1/2" drive standard Length
- 6 points
- Inch size



M7 NO.	⊙	D1	D2	l	L	⚖	📦
	mm	mm	mm	mm	mm	g	
MA411S08	1/4"	24.9	12.5	8	38	70	10
MA411S10	5/16"	24.9	14.5	8	38	70	10
MA411S12	3/8"	24.9	16.0	8	38	70	10
MA411S14	7/16"	24.9	18.0	9	38	72	10
MA411S16	1/2"	24.9	20.0	11	38	74	10
MA411S18	9/16"	24.9	22.0	11	38	76	10
MA411S20	5/8"	24.9	24.9	12	38	81	10
MA411S22	11/16"	25.0	26.0	12	38	83	10
MA411S24	3/4"	25.0	28.0	12	38	85	10
MA411S26	13/16"	25.0	30.0	13	38	94	10
MA411S28	7/8"	30.0	32.0	13	38	134	10
MA411S30	15/16"	30.0	34.0	15	38	135	10
MA411S32	1"	30.0	36.0	15	38	144	10
MA411S34	1-1/16"	30.0	38.0	17	40	203	10
MA411S36	1-1/8"	30.0	40.0	18.5	40	260	10
MA411S38	1-3/16"	30.0	42.0	18.5	40	280	10
MA411S40	1-1/4"	30.0	44.0	18.5	40	290	10
MA411S42	1-5/16"	35.0	46.0	21	43	301	10
MA411S44	1-3/8"	35.0	48.0	21	43	338	10
MA411S46	1-7/16"	44.0	50.0	21	43	357	10
MA411S48	1-1/2"	44.0	52.0	23.5	43	376	10

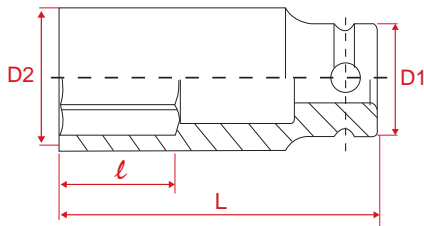
# IMPACT SOCKET

IMPACT SOCKET

## 1/2"MA431M

### IMPACT DEEP SOCKET

- 1/2" drive Deep Length
- Metric size
- 6 points

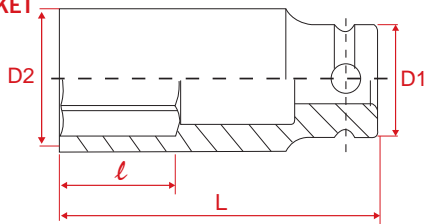


M7 NO.	⊘	D1	D2	ℓ	L	⚖	📦
	mm	mm	mm	mm	mm	g	
MA431M06	6	24.9	12.0	10	82	168	10
MA431M07	7	24.9	13.0	10	82	168	10
MA431M08	8	24.9	14.5	13	82	168	10
MA431M09	9	24.9	15.6	15	82	168	10
MA431M10	10	24.9	16.7	15	82	168	10
MA431M11	11	24.9	18.0	15	82	169	10
MA431M12	12	24.9	19.0	15	82	170	10
MA431M13	13	24.9	20.2	15	82	176	10
MA431M14	14	24.9	21.5	18	82	180	10
MA431M15	15	25.0	23.0	18	82	184	10
MA431M16	16	25.0	24.9	18	82	190	10
MA431M17	17	25.0	25.9	19	82	196	10
MA431M18	18	25.0	26.9	19	82	214	10
MA431M19	19	30.0	29.9	19	82	216	10
MA431M20	20	30.0	29.9	26	82	220	10
MA431M21	21	30.0	31.9	26	82	222	10
MA431M22	22	30.0	31.9	26	82	288	10
MA431M23	23	30.0	33.9	26	82	338	10
MA431M24	24	30.0	35.9	26	82	377	10
MA431M25	25	30.0	35.9	26	82	369	10
MA431M26	26	30.0	37.9	26	82	321	10
MA431M27	27	30.0	39.9	26	82	454	10
MA431M28	28	30.0	39.9	26	82	442	10
MA431M29	29	30.0	41.9	26	82	451	10
MA431M30	30	30.0	41.9	26	82	431	10
MA431M31	31	35.0	43.9	26	90	480	10
MA431M32	32	35.0	43.9	26	90	497	10
MA431M33	33	35.0	45.9	38	90	590	10
MA431M34	34	35.0	45.9	38	90	554	10
MA431M35	35	44.0	49.9	38	93	690	10
MA431M36	36	44.0	49.9	38	93	670	10

## 1/2"MA431S

### IMPACT DEEP SOCKET

- 1/2" drive Deep Length
- Inch size
- 6 points

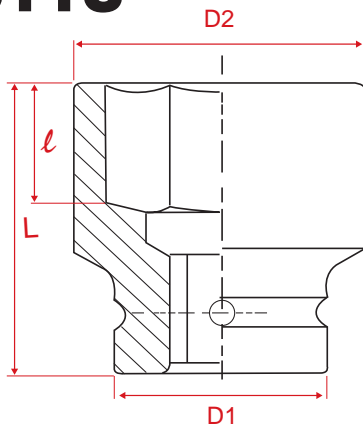


M7 NO.	⊘	D1	D2	ℓ	L	⚖	📦
	mm	mm	mm	mm	mm	g	
MA431S08	1/4"	24.9	12.5	10	82	160	1010
MA431S10	5/16"	24.9	14.5	13	82	160	10
MA431S12	3/8"	24.9	16.0	15	82	167	10
MA431S14	7/16"	24.9	18.0	15	82	171	10
MA431S16	1/2"	24.9	20.0	15	82	176	10
MA431S18	9/16"	24.9	22.0	17	82	181	10
MA431S20	5/8"	24.9	24.9	18	82	187	10
MA431S22	11/16"	25.0	25.9	18	82	194	10
MA431S24	3/4"	25.0	27.9	18	82	217	10
MA431S26	13/16"	25.0	29.9	26	82	227	10
MA431S28	7/8"	30.0	31.9	26	82	290	10
MA431S30	15/16"	30.0	33.9	26	82	319	10
MA431S32	1"	30.0	35.9	26	82	346	10
MA431S34	1-1/16"	30.0	37.9	26	82	450	10
MA431S36	1-1/8"	30.0	39.9	26	82	450	10
MA431S38	1-3/16"	30.0	41.9	26	82	480	10
MA431S40	1-1/4"	30.0	43.9	26	82	500	10
MA431S42	1-5/16"	35.0	45.9	34	90	565	10
MA431S44	1-3/8"	35.0	47.9	34	90	595	10
MA431S46	1-7/16"	44.0	49.9	34	90	699	10
MA431S48	1-1/2"	44.0	51.8	34	90	744	10

# 3/4"MA611S

Impact Standard Socket

- 3/4" drive standard Length
- 6 points
- Inch size



M7 NO.	⊘	D1	D2	l	L	⚖	📦
	mm	mm	mm	mm	mm	g	
MA611S16	1/2"	38	22	16	50	207	1
MA611S18	9/16"	38	26.5	16	50	229	1
MA611S20	5/8"	38	27.5	16	50	228	1
MA611S22	11/16"	38	29	16	50	232	1
MA611S24	3/4"	38	30	16	50	226	1
MA611S26	13/16"	38	32	18	52	238	1
MA611S28	7/8"	38	34	18	52	243	1
MA611S30	15/16"	38	36	18	52	251	1
MA611S32	1"	40	40	18	52	306	1
MA611S34	1-1/16"	40	40	18	52	290	1
MA611S36	1-1/8"	42	42	18	52	320	1
MA611S38	1-3/16"	44	44	18	52	366	1
MA611S40	1-1/4"	44	44	18	52	343	1
MA611S42	1-5/16"	44	47	22	56	403	1
MA611S44	1-3/8"	44	50	22	56	444	1
MA611S46	1-7/16"	44	51	22	56	451	1
MA611S48	1-1/2"	44	53	22	56	473	1
MA611S50	1-9/16"	44	56	25	62	571	1
MA611S52	1-5/8"	44	58	25	62	608	1
MA611S54	1-11/16"	44	63.5	25	62	733	1
MA611S56	1-3/4"	44	65	25	62	762	1
MA611S58	1-13/16"	44	67	25	68	870	1
MA611S60	1-7/8"	44	68	25	68	879	1
MA611S62	1-15/16"	44	70	33	70	960	1
MA611S64	2"	54	71	33	72	1101	1
MA611S66	2-1/16"	54	74	33	72	1126	1
MA611S68	2-1/8"	54	77	33	72	1239	1
MA611S70	2-3/16"	54	77	33	74	1221	1
MA611S72	2-1/4"	54	80	33	74	1353	1
MA611S74	2-5/16"	54	82	33	75	1356	1
MA611S76	2-3/8"	54	84	33	75	1436	1
MA611S78	2-7/16"	54	85	33	75	1796	1
MA611S80	2-1/2"	54	86	33	75	1424	1
MA611S82	2-9/16"	62	89	36	78	1627	1
MA611S84	2-5/8"	62	91	38	80	1757	1
MA611S86	2-11/16"	62	93	38	80	1850	1
MA611S88	2-3/4"	62	95	40	82	2003	1
MA611S90	2-13/16"	62	98	40	82	2195	1
MA611S92	2-7/8"	62	100	40	82	2158	1
MA611S94	2-15/16"	62	102	40	85	2334	1
MA611S96	3"	62	104	40	87	2535	1

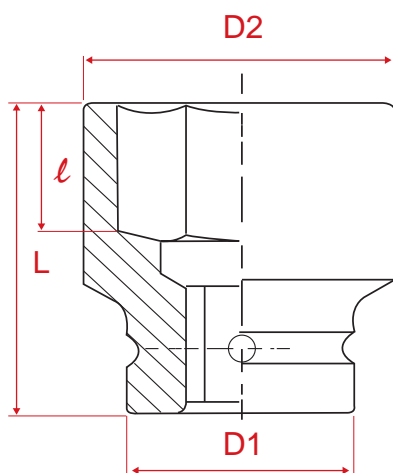
# IMPACT SOCKET

IMPACT  
SOCKET

## 3/4"MA611M

Impact Standard Socket

- 3/4" drive standard Length
- 6 points
- Metric size

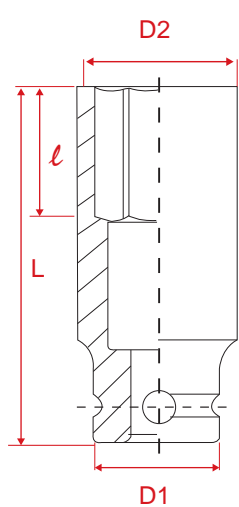


M7 NO.	⊙	D1	D2	l	L	⚖	📦
	mm	mm	mm	mm	mm	g	
MA611M17	17	38	28	16	50	225	1
MA611M19	19	38	30	16	50	235	1
MA611M20	20	38	31	16	52	233	1
MA611M21	21	38	32	18	52	239	1
MA611M22	22	38	34	18	52	249	1
MA611M23	23	38	35	18	52	249	1
MA611M24	24	38	36	18	52	246	1
MA611M25	25	38	38	18	52	267	1
MA611M26	26	40	40	18	52	297	1
MA611M27	27	40	40	18	52	285	1
MA611M28	28	42	42	19	52	330	1
MA611M29	29	42	42	19	52	320	1
MA611M30	30	44	44	19	52	368	1
MA611M31	31	44	44	20	52	370	1
MA611M32	32	44	44	22	52	364	1
MA611M33	33	44	47	22	56	411	1
MA611M34	34	44	48	22	56	435	1
MA611M35	35	44	50	22	56	458	1
MA611M36	36	44	51	22	56	472	1
MA611M37	37	44	52	22	56	483	1
MA611M38	38	44	53	22	56	499	1
MA611M40	40	44	56	26	62	568	1
MA611M41	41	44	58	26	62	618	1
MA611M42	42	44	61	26	62	679	1
MA611M43	43	44	63	27	63	734	1
MA611M44	44	44	65	27	63	772	1
MA611M45	45	44	66	27	63	792	1
MA611M46	46	44	67	27	63	815	1
MA611M47	47	44	68	32	68	883	1
MA611M48	48	44	69	32	68	934	1
MA611M49	49	44	70	34	70	994	1
MA611M50	50	54	71	35	72	1117	1
MA611M52	52	54	74	35	72	1160	1
MA611M54	54	54	77	35	72	1236	1
MA611M55	55	54	77	35	74	1247	1
MA611M56	56	54	80	35	74	1545	1
MA611M60	60	54	84	35	75	1454	1
MA611M63	63	54	86	35	75	1521	1
MA611M65	65	54	88	35	78	1565	1

# 3/4" MA631M

Impact Deep Socket

- 3/4" drive Deep Length
- 6 points
- Metric size



M7 NO.	⊙	D1	D2	l	L	⚖	📦
	mm	mm	mm	mm	mm	g	
MA631M19	19	38	30	11.5	85	360	10
MA631M20	20	38	31	12	85	371	10
MA631M21	21	38	32	12	85	378	10
MA631M22	22	38	34	12.5	85	402	10
MA631M23	23	38	35	13	85	415	10
MA631M24	24	38	36	14	85	410	10
MA631M25	25	38	38	35	85	429	10
MA631M26	26	40	40	35	85	487	10
MA631M27	27	40	40	35	85	470	10
MA631M28	28	42	42	35	85	529	10
MA631M29	29	42	42	35	85	458	10
MA631M30	30	44	44	35	85	573	10
MA631M31	31	44	44	35	85	552	10
MA631M32	32	44	44	35	85	535	10
MA631M33	33	44	47	35	85	614	10
MA631M34	34	44	48	35	85	617	10
MA631M35	35	44	50	40	85	576	10
MA631M36	36	44	51	40	85	684	10
MA631M37	37	44	52	40	85	699	10
MA631M38	38	44	53	40	85	708	10
MA631M40	40	44	56	40	85	763	10
MA631M41	41	44	58	45	85	801	10
MA631M42	42	44	61	45	85	889	10
MA631M43	43	44	63	55	95	1168	10
MA631M44	44	44	65	55	95	1215	10
MA631M45	45	44	66	55	95	1220	10
MA631M46	46	44	67	55	95	1259	10
MA631M47	47	44	68	55	95	1266	10
MA631M48	48	44	69	55	95	1285	10
MA631M49	49	44	70	55	95	1354	10
MA631M50	50	54	71	55	95	1388	10
MA631M52	52	54	74	55	95	1516	10
MA631M55	55	54	77	55	100	1664	10
MA631M60	60	54	84	55	105	1935	10
MA631M65	65	54	88	55	105	2214	10

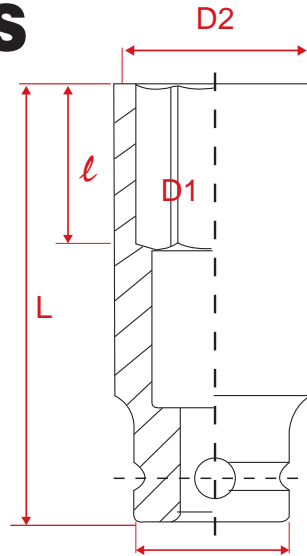
# IMPACT SOCKET

IMPACT  
SOCKET

## 3/4" MA631S

Impact Deep Socket

- 3/4" drive Deep Length
- 6 points
- Inch size

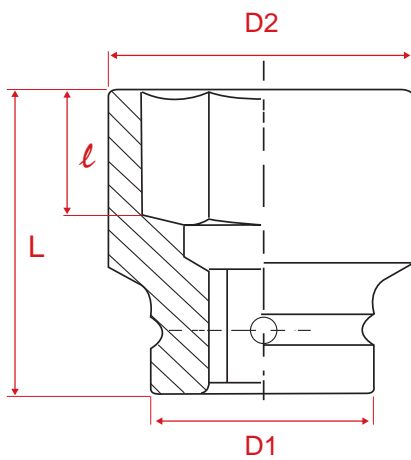


M7 NO.	⊘	D1	D2	l	L	⚖	📦
	mm	mm	mm	mm	mm	g	
MA631S16	1/2"	38	22	20	85	310	1
MA631S18	9/16"	38	26.5	20	85	364	1
MA631S20	5/8"	38	27.5	20	85	361	1
MA631S22	11/16"	38	29	20	85	374	1
MA631S24	3/4"	38	30	20	85	364	1
MA631S26	13/16"	38	32	25	85	378	1
MA631S28	7/8"	38	34	25	85	402	1
MA631S30	15/16"	38	36	25	85	414	1
MA631S32	1"	40	40	35	85	500	1
MA631S34	1-1/16"	40	40	35	85	472	1
MA631S36	1-1/8"	42	42	35	85	517	1
MA631S38	1-3/16"	44	44	35	85	567	1
MA631S40	1-1/4"	44	44	35	85	537	1
MA631S42	1-5/16"	44	47	35	85	605	1
MA631S44	1-3/8"	44	50	40	85	686	1
MA631S46	1-7/16"	44	51	40	85	671	1
MA631S48	1-1/2"	44	53	40	85	697	1
MA631S50	1-9/16"	44	56	40	85	766	1
MA631S52	1-5/8"	44	58	45	85	783	1
MA631S54	1-11/16"	44	63.5	45	85	979	1
MA631S56	1-3/4"	44	65	45	85	1023	1
MA631S58	1-13/16"	44	67	45	85	1081	1
MA631S60	1-7/8"	44	68	45	85	1087	1
MA631S62	1-15/16"	44	70	45	85	1175	1
MA631S64	2"	54	71	45	85	1243	1
MA631S66	2-1/16"	54	74	55	95	1478	1
MA631S68	2-1/8"	54	77	55	95	1586	1
MA631S70	2-3/16"	54	77	55	95	1504	1
MA631S72	2-1/4"	54	80	55	95	1650	1
MA631S74	2-5/16"	54	82	55	95	1725	1
MA631S76	2-3/8"	54	84	55	95	1794	1
MA631S78	2-7/16"	54	85	55	95	1737	1
MA631S80	2-1/2"	54	86	55	95	1760	1
MA631S82	2-9/16"	62	89	46	100	2581	1
MA631S84	2-5/8"	62	91	50	100	2297	1
MA631S86	2-11/16"	62	93	56	105	2383	1
MA631S88	2-3/4"	62	95	56	105	2424	1
MA631S90	2-13/16"	62	98	67	110	2876	1
MA631S92	2-7/8"	62	100	67	110	2905	1
MA631S94	2-15/16"	62	102	80	120	3258	1
MA631S96	3"	62	104	80	120	3267	1

# 1"MA811M

Impact Standard Socket

- 1" drive standard Length
- 6 points
- Metric size



M7 NO.	○	D1	D2	l	L	⚖	📦
	mm	mm	mm	mm	mm	g	
MA811M19	19	51	36	19	58	490	1
MA811M21	21	51	38	19	58	487	1
MA811M22	22	51	39	19	58	500	1
MA811M23	23	51	40	19	58	501	1
MA811M24	24	51	40	19	58	508	1
MA811M25	25	51	41	19	58	508	1
MA811M26	26	51	42.5	19	58	508	1
MA811M27	27	51	44	19	58	503	1
MA811M28	28	51	45	19	58	513	1
MA811M29	29	51	46	21	60	518	1
MA811M30	30	51	48	21	60	541	1
MA811M32	32	51	51	21	60	566	1
MA811M33	33	52	53	23	62	626	1
MA811M34	34	52	54	23	62	645	1
MA811M35	35	52	54	23	62	655	1
MA811M36	36	52	56	23	62	655	1
MA811M38	38	52	58	23	62	674	1
MA811M40	40	52	60	23	62	680	1
MA811M41	41	52	61.5	23	62	726	1
MA811M42	42	52	63	25	64	769	1
MA811M43	43	52	65	25	64	801	1
MA811M44	44	58	66	25	64	950	1
MA811M45	45	58	67	25	64	958	1
MA811M46	46	58	68	25	64	976	1
MA811M50	50	58	73	31	70	1139	1
MA811M52	52	58	75	31	70	1156	1
MA811M54	54	58	78	31	70	1232	1
MA811M55	55	62	79	33	72	1329	1
MA811M56	56	62	80	35	74	1389	1
MA811M58	58	62	85	36	75	1590	1
MA811M60	60	62	87	37	78	1722	1
MA811M65	65	62	93	38	80	1852	1
MA811M70	70	62	98	42	85	2171	1



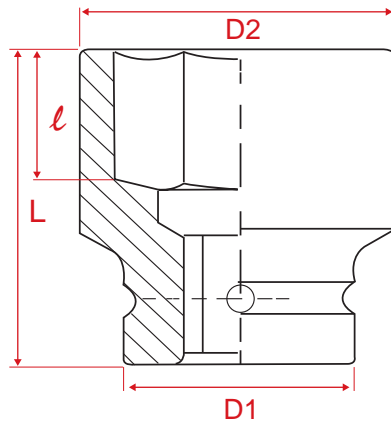
# IMPACT SOCKET

IMPACT  
SOCKET

## 1" MA811S

Impact Standard Socket

- 1" drive standard Length
- 6 points
- Inch size

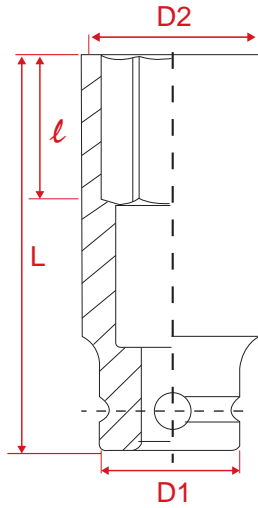


M7 NO.	O	D1	D2	l	L	⚖	📦
		mm	mm	mm	mm		
MA811S24	3/4"	50.9	36	18	58	475	1
MA811S26	13/16"	50.9	38	18	58	486	1
MA811S28	7/8"	50.9	39	18	58	495	1
MA811S30	15/16"	50.9	40	18	58	481	1
MA811S32	1"	50.9	42	18	58	497	1
MA811S34	1-1/16"	50.9	44	18	58	506	1
MA811S36	1-1/8"	50.9	46	18	58	512	1
MA811S38	1-3/16"	50.9	48	20	60	545	1
MA811S40	1-1/4"	50.9	50.9	20	60	566	1
MA811S42	1-5/16"	52	52.9	22	62	631	1
MA811S44	1-3/8"	52	53.9	22	62	634	1
MA811S46	1-7/16"	52	55.9	22	62	645	1
MA811S48	1-1/2"	52	58	22	62	667	1
MA811S50	1-9/16"	52	60	22	62	697	1
MA811S52	1-5/8"	52	61.5	22	62	717	1
MA811S54	1-11/16"	52	65	24	64	791	1
MA811S56	1-3/4"	58	66	24	64	944	1
MA811S58	1-13/16"	58	68	24	64	976	1
MA811S60	1-7/8"	58	70	26	66	1036	1
MA811S62	1-15/16"	58	72	28	68	1037	1
MA811S64	2"	58	74	30	70	1157	1
MA811S66	2-1/16"	58	75	30	70	1158	1
MA811S68	2-1/8"	58	78	30	70	1212	1
MA811S70	2-3/16"	62	80	33	72	1350	1
MA811S72	2-1/4"	62	84	35	75	1595	1
MA811S74	2-5/16"	62	86	35	75	1594	1
MA811S76	2-3/8"	62	87	36	78	1686	1
MA811S78	2-7/16"	62	89	36	78	1750	1
MA811S80	2-1/2"	62	91	37	80	1826	1
MA811S82	2-9/16"	62	93	37	80	1879	1
MA811S84	2-5/8"	62	95	39	82	2013	1
MA811S86	2-11/16"	62	97	39	82	1987	1
MA811S88	2-3/4"	62	98	41	85	2111	1
MA811S90	2-13/16"	62	100	41	87	2212	1
MA811S92	2-7/8"	62	102	41	87	2314	1
MA811S94	2-15/16"	86	104	50	95	2571	1
MA811S96	3"	86	106	52	98	3361	1
MA811S100	3-1/8"	86	109	52	100	3515	1
MA811S104	3-1/4"	86	113	52	100	3696	1
MA811S108	3-3/8"	86	115	52	100	3633	1
MA811S112	3-1/2"	86	119	52	105	4075	1
MA811S116	3-5/8"	86	127	52	110	5023	1
MA811S120	3-3/4"	86	130	52	110	4937	1
MA811S124	3-7/8"	95	136	52	110	5740	1
MA811S128	4"	95	140	62	120	6816	1
MA811S132	4-1/8"	95	143	62	120	6725	1
MA811S136	4-1/4"	95	146	62	120	6861	1
MA811S144	4-1/2"	95	152	62	120	7068	1

# 1" MA831S

Impact Deep Socket

- 1" drive Deep Length
- 6 points
- Inch size



M7 NO.	⊘	D1	D2	l	L	⚖	📦
	mm	mm	mm	mm	mm	g	
MA831S24	3/4"	51	36	27	90	706	1
MA831S26	13/16"	51	38	27	90	745	1
MA831S28	7/8"	51	39	27	90	728	1
MA831S30	15/16"	51	40	27	90	731	1
MA831S32	1"	51	42	32	90	748	1
MA831S34	1-1/16"	51	44	32	90	765	1
MA831S36	1-1/8"	51	46	32	90	786	1
MA831S38	1-3/16"	51	48	37	90	807	1
MA831S40	1-1/4"	51	51	37	90	862	1
MA831S42	1-5/16"	52	53	37	90	923	1
MA831S44	1-3/8"	52	54	42	90	933	1
MA831S46	1-7/16"	52	56	42	90	942	1
MA831S48	1-1/2"	52	58	42	92	1008	1
MA831S50	1-9/16"	52	60	42	92	1058	1
MA831S52	1-5/8"	52	61.5	42	92	1077	1
MA831S54	1-11/16"	52	65	42	92	1208	1
MA831S56	1-3/4"	58	66	42	92	1313	1
MA831S58	1-13/16"	58	68	42	92	1356	1
MA831S60	1-7/8"	58	70	42	92	1417	1
MA831S62	1-15/16"	58	72	42	92	1468	1
MA831S64	2"	58	74	52	95	1573	1
MA831S66	2-1/16"	58	75	52	95	1556	1
MA831S68	2-1/8"	58	78	52	95	1702	1
MA831S70	2-3/16"	62	80	52	100	1898	1
MA831S72	2-1/4"	62	84	52	100	2097	1
MA831S74	2-5/16"	62	86	57	105	2360	1
MA831S76	2-3/8"	62	87	57	105	2283	1
MA831S78	2-7/16"	62	89	62	110	2521	1
MA831S80	2-1/2"	62	91	62	110	2545	1
MA831S82	2-9/16"	62	93	72	120	2983	1
MA831S84	2-5/8"	62	95	72	120	2877	1
MA831S86	2-11/16"	62	97	77	124	3077	1
MA831S88	2-3/4"	62	98	77	124	3135	1
MA831S90	2-13/16"	62	100	82	128	3315	1
MA831S92	2-7/8"	62	102	82	128	3433	1
MA831S94	2-15/16"	86	104	87	135	4429	1
MA831S96	3"	86	106	87	135	4514	1
MA831S100	3-1/8"	86	109	87	135	4689	1
MA831S104	3-1/4"	86	113	87	135	4825	1
MA831S108	3-3/8"	86	115	87	135	5010	1
MA831S112	3-1/2"	86	119	87	135	5087	1
MA831S116	3-5/8"	86	127	90	140	6194	1
MA831S120	3-3/4"	86	130	90	140	6255	1
MA831S124	3-7/8"	95	136	90	140	6921	1
MA831S128	4"	95	140	105	155	8504	1
MA831S132	4-1/8"	95	143	105	155	8469	1
MA831S136	4-1/4"	95	146	105	155	8538	1
MA831S144	4-1/2"	95	152	105	155	8950	1

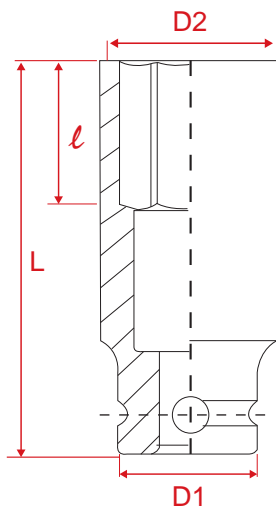
# IMPACT SOCKET

IMPACT SOCKET

## 1"MA831M

Impact Deep Socket

- 1" drive Deep Length
- 6 points
- Metric size

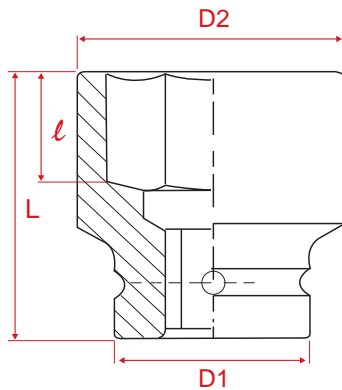


M7 NO.	⊙	D1	D2	l	L	⚖	📦
	mm	mm	mm	mm	mm	g	
MA831M19	19	51	36	25	58	708	1
MA831M21	21	51	38	25	58	731	1
MA831M22	22	51	39	25	58	745	1
MA831M23	23	51	40	25	58	750	1
MA831M24	24	51	40	25	58	729	1
MA831M25	25	51	41	30	58	746	1
MA831M26	26	51	42.5	30	58	742	1
MA831M27	27	51	44	30	58	772	1
MA831M28	28	51	45	30	58	764	1
MA831M29	29	51	46	30	60	785	1
MA831M30	30	51	48	35	60	810	1
MA831M32	32	51	51	35	60	861	1
MA831M33	33	52	53	35	62	928	1
MA831M34	34	52	54	40	62	939	1
MA831M35	35	52	54	40	62	912	1
MA831M36	36	52	56	40	62	980	1
MA831M38	38	52	58	40	62	1015	1
MA831M40	40	52	60	40	62	1039	1
MA831M41	41	52	61.5	40	62	1087	1
MA831M42	42	52	63	40	64	1115	1
MA831M43	43	52	65	40	64	1200	1
MA831M44	44	58	66	40	64	1330	1
MA831M45	45	58	67	40	64	1345	1
MA831M46	46	58	68	40	64	1317	1
MA831M50	50	58	73	45	70	1531	1
MA831M52	52	58	75	45	70	1522	1
MA831M54	54	58	78	45	70	1685	1
MA831M55	55	62	79	50	72	1848	1
MA831M56	56	62	80	50	74	1859	1
MA831M58	58	62	85	55	75	2226	1
MA831M60	60	62	87	55	78	2332	1
MA831M65	65	62	93	70	80	2912	1
MA831M70	70	62	98	75	85	3183	1

# 1-1/2" MA911M

## Impact Standard Socket

- 1-1/2" drive Standard Length
- 6 points
- Metric size

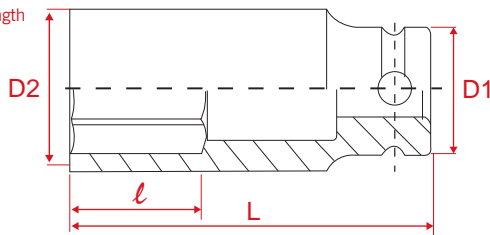


M7 NO.	⌀	D1	D2	l	L	⚖	📦
	mm	mm	mm	mm	mm	g	
MA911M35	35	86	62	23	78	2200	1
MA911M41	41	86	70	26	80	2320	1
MA911M46	46	86	76	27	84	2460	1
MA911M50	50	86	80	29	87	2590	1
MA911M51	51	86	82	29	87	2610	1
MA911M52	52	86	83	30	87	2590	1
MA911M54	54	86	86	36	90	2740	1
MA911M55	55	86	86	36	90	3160	1
MA911M58	58	86	93	38	90	2870	1
MA911M60	60	86	93	38	90	2790	1
MA911M65	65	86	98	40	95	2180	1
MA911M70	70	86	106	43	95	3240	1
MA911M75	75	86	108	45	103	3430	1
MA911M80	80	86	118	50	110	4190	1
MA911M85	85	86	125	50	110	4450	1
MA911M90	90	86	128	55	118	4820	1
MA911M95	95	95	134	55	118	5830	1
MA911M100	100	95	138	58	125	5920	1
MA911M105	105	95	142	58	125	6140	1
MA911M110	110	95	148	66	135	6120	1
MA911M115	115	95	158	66	135	7520	1
MA911M120	120	95	165	66	135	8360	1
MA911M130	130	127	178	72	140	9040	1

# 1-1/2" MA931M

## Impact Deep Socket

- 1-1/2" drive Deep Length
- 6 points
- Metric size



M7 NO.	⌀	D1	D2	l	L	⚖	📦
	mm	mm	mm	mm	mm	g	
MA931M41	41	86	70	32	115	3070	1
MA931M51	51	86	82	38	135	3940	1
MA931M54	54	86	86	36	140	4310	1
MA931M55	55	86	86	36	140	4670	1
MA931M58	58	86	93	43	150	4950	1
MA931M60	60	86	93	45	150	4900	1
MA931M65	65	86	98	47	150	5070	1
MA931M70	70	86	106	49	160	6050	1
MA931M75	75	86	108	53	170	6270	1
MA931M80	80	86	118	53	170	7310	1
MA931M85	85	86	125	58	170	7900	1
MA931M90	90	86	128	62	170	7790	1
MA931M95	95	95	134	65	180	9070	1
MA931M100	100	95	138	68	190	9770	1
MA931M110	110	95	148	75	190	10390	1
MA931M115	115	95	158	80	210	12930	1
MA931M120	120	95	165	80	210	15160	1
MA931M125	125	95	168	80	210	13150	1

# IMPACT SOCKET

IMPACT SOCKET

## 1/4" ME221

1/4" Drive Extension Bar



M7 NO.	Total Length		Scales	Box
	inch	mm		
ME221-02	2"	50	26	10
ME221-04	4"	100	46	10
ME221-06	6"	150	67	10

## 3/4" ME621

3/4" Drive Extension Bar



M7 NO.	Total Length		Scales	Box
	inch	mm		
ME621-04	4"	100	609	10
ME621-06	6"	150	813	10
ME621-07	7"	175	911	10
ME621-08	8"	200	929	10
ME621-10	10"	250	1200	10
ME621-13	13"	330	1480	10

## 3/8" ME321

3/8" Drive Extension Bar



M7 NO.	Total Length		Scales	Box
	inch	mm		
ME321-03	3"	75	79	10
ME321-05	5"	125	124	10
ME321-06	6"	150	140	10
ME321-10	10"	250	242	10
ME321-12	12"	300	288	10
ME321-15	15"	375	354	10

## 1" ME821

1" Drive Extension Bar



M7 NO.	Total Length		Scales	Box
	inch	mm		
ME821-03	3"	75	727	10
ME821-06	6"	150	1330	10
ME821-07	7"	175	1520	10
ME821-08	8"	200	1705	10
ME821-10	10"	250	2050	10
ME821-12	12"	300	2382	10
ME821-13	13"	330	2550	10

## 1/2" ME421

1/2" Drive Extension Bar



M7 NO.	Total Length		Scales	Box
	inch	mm		
ME421-03	3"	75	142	10
ME421-05	5"	125	228	10
ME421-10	10"	250	653	10
ME421-15	15"	375	1041	10

## ME422

1/2" Drive Torque Extension Bar



M7 NO.	Color	Total Length		D	Torque	Scales	Box
		mm	mm				
ME422-090	Yellow	194	9	65/90	236	10	
ME422-110	Blue	194	11	80/110	231	10	
ME422-122	Gray	194	12.2	100/135	258	10	
ME422-137	White	194	13.7	120/160	300	10	
ME422-151	Sky nature	194	15.1	140/190	306	10	
ME422-103	Black	194	10.3	75/100	224	10	
ME422-114	Beige	194	11.4	90/120	242	10	
ME422-128	Orange	194	12.8	110/150	269	10	

# 1/2"ME471S

1/2" Drive SAE Impact Hex Driver



M7 NO.	Total Length		g	Icons
	inch	mm		
ME471S08L	1/4"	78	69	10
ME471S10L	5/16"	78	94	10
ME471S12L	3/8"	78	105	10
ME471S14L	7/16"	78	119	10
ME471S16L	1/2"	78	134	10
ME471S18L	9/16"	78	151	10
ME471S20L	5/8"	78	173	10
ME471S22L	11/16"	78	194	10
ME471S24L	3/4"	78	215	10
ME471S26L	13/16"	78	229	10



## Male Adapter

M7 NO.	Spec	D		L		g	Icons
		inch	mm	mm	mm		
ME382	3/8"F x 1/4"M	22	32	12	10		
ME384	3/8"F x 1/2"M	22	32	50	10		
ME483	1/2"F x 3/8"M	25	38	65	10		
ME486	1/2"F x 3/4"M	30	48	161	10		
ME688	3/4"F x 1"M	46	68	437	10		
ME684	3/4"F x 1/2"M	44	60	343	10		
ME886	1"F x 3/4"M	56	80	653	10		
ME889	1"F x 1-1/2"M	54	90	1078	10		



## Universal Joint

M7 NO.	Size	D	Total Length		g	Icons
			inch	mm		
ME2711	1/4"	20	1-3/4"	65	42	10
ME3711	3/8"	27	2"	51	102	10
ME4711	1/2"	34	2-7/16"	61	208	10
ME6711	3/4"	49	3-1/2"	90.4	641	10
ME8711	1"	59	4-1/2"	114	1199	10
ME9711	1-1/2"	90	6-11/16"	170	1312	10

# 1/2"ME471M

1/2" Drive Impact Hex Bit



M7 NO.	Total Length		g	Icons
	inch	mm		
ME471M04L	4	78	71	10
ME471M05L	5	78	77	10
ME471M06L	6	78	81	10
ME471M07L	7	78	87	10
ME471M08L	8	78	95	10
ME471M09L	9	78	102	10
ME471M10L	10	78	108	10
ME471M11L	11	78	118	10
ME471M12L	12	78	128	10
ME471M13L	13	78	140	10
ME471M14L	14	78	149	10
ME471M15L	15	78	166	10
ME471M16L	16	78	177	10
ME471M17L	17	78	188	10
ME471M18L	18	78	202	10
ME471M19L	19	78	215	10
ME471M21L	21	78	233	10



# 3/8"MB371S

3/8" Drive Bit Holder

M7 NO.	Drive	Hex	g		Icons
			inch	mm	
MB371S08	3/8"	1/4"	43	10	
MB471S08	1/2"	1/4"	76	10	
MB471S10	1/2"	5/16"	78	10	
MB471M10	1/2"	10 mm	80	10	

## SOCKET STICKERS PACK

100 pieces in one carton



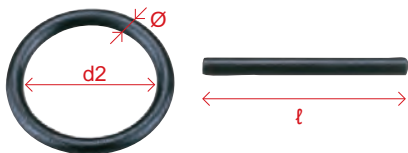
M7 NO.	Drive
8702	1/4"
8703	3/8"
8704	1/2"
8706	3/4"
8708	1"

# IMPACT SOCKET

IMPACT SOCKET

## 3/8" ME903

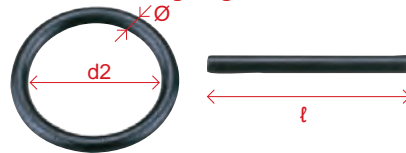
3/8" Drive Locking Ring / 3/8" Drive Locking Pin



M7 NO.	Disp.	Ø	d2	l	Applied to socket sizes
		mm	mm	mm	
ME90315	Ring	3.5	12		6~12mm
ME90315	Pin	2.5		14	(1/4"~3/16")
ME90324	Ring	3.5	15		13~24mm
ME90324	Pin	2.5		16	(9/16"~7/8")

## 1/2" ME904

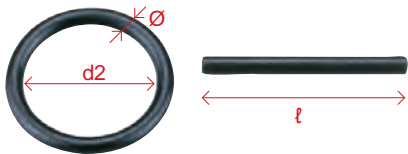
1/2" Drive Locking Ring / 1/2" Drive Locking Pin



M7 NO.	Disp.	Ø	d2	l	Applied to socket sizes
		mm	mm	mm	
ME90424	Ring	3.5	19		8~17mm
ME90424	Pin	3		20	(3/16"~9/16")
ME90436	Ring	3.5	23		15~46mm
ME90436	Pin	3		25	(5/8"~1-1/4")

## 3/4" ME906

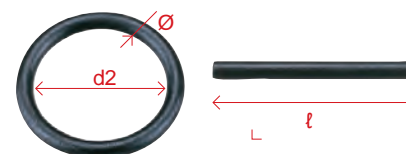
3/4" Drive Locking Ring/3/4" Drive Locking Pin



M7 NO.	Disp.	Ø	d2	l	Applied to socket sizes
		mm	mm	mm	
ME90627	Ring	3.5	33		14~30mm
ME90627	Pin	3		30	(11/16"~1-3/16")
ME90646	Ring	5.5	37		17~46mm
ME90646	Pin	4		35	(1-1/16"~1-13/16")
ME90650	Ring	5.5	44		48mm~65mm
ME90650	Pin	4		45	(1-7/8"~2-3/8")

## 1" ME908

1" Drive Locking Ring/1" Drive Locking Pin



M7 NO.	Disp.	Ø	d2	l	Applied to socket sizes
		mm	mm	mm	
ME90836	Ring	5.5	44		19~70mm
ME90836	Pin	5		45	(3/4"~2-3/4")
ME90860	Ring	10	75		71~90mm
ME90860	Pin	5		75	(2-13/16"~3-1/2")

## AD-22/23/24

Magnetic aluminum rail

M7 NO.	Drive	Total Length			
	inch	inch	mm	g	
AD-2212	1/4"	12"	300	25	10
AD-2312	3/8"	12"	300	25	10
AD-2412	1/2"	12"	300	25	10
AD-2218	1/4"	18"	457	26	10
AD-2318	3/8"	18"	457	26	10
AD-2418	1/2"	18"	457	26	10

48 pieces in one carton



# AFTER MARKET SUPPORT

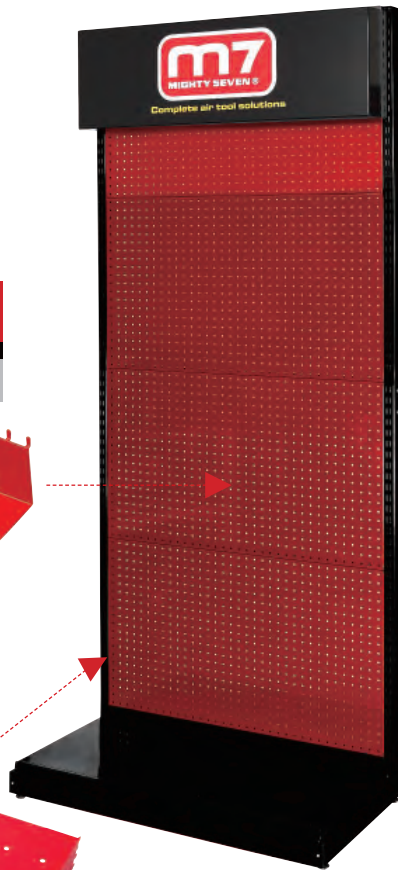
## AD-307

### Wall Type Display Stand

- Powder coating
- Attachment
- 1pc Brand Plate
- 2pcs Angled Steel Frame
- 2pcs Shelf
- 1pc Bottom Shelf
- 4pcs Steel Plate With Hole

Overall Size(mm)  
Width x Depth x Height

900 x 500 x 2230



## AD-306

### Table Type Display Stand

- 1 pc Transparent DM shelf
- 2 pcs support frame
- 1 pc Bottom shelf

Overall Size(mm)  
Width x Depth x Height

300 x 140 x 340



## AD-351

### Optional Item

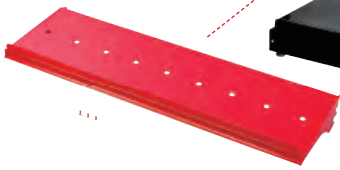


## AD-361

### Optional Item

Overall Size(mm)  
Width x Depth

280 x 910 mm



## AD-309

### DISPLAY BOARD

1 pieces in one carton
















- Nice m7 brand image is conducive to small space display hanging tools.

Overall Size(mm)  
Width x Depth x Height








725 x 14 x 900  
weight:11.5kg



## AD-35 Complete set of Tool Base

Item No.	Adaptor Type	Contents			
 AD-3501	Europe	 SY-211M	 AD-3521	 AD-3523	 AD-351
 AD-3502	Japan	 SY-221M	 AD-3522	 AD-3523	 AD-351
 AD-3503	U.S.A	 SY-231M	 AD-3523	 AD-3523	 AD-351

## AD-36 Complete set of Tool Base

Item No.	Adaptor Type	Contents			
 AD-3601	Europe	 SY-211M	 AD-3521	 AD-3523	 AD-305-41
 AD-3602	Japan	 SY-221M	 AD-3522	 AD-3523	 AD-305-41
 AD-3603	U.S.A	 SY-231M	 AD-3523	 AD-3523	 AD-305-41



# DISPLAY CASE

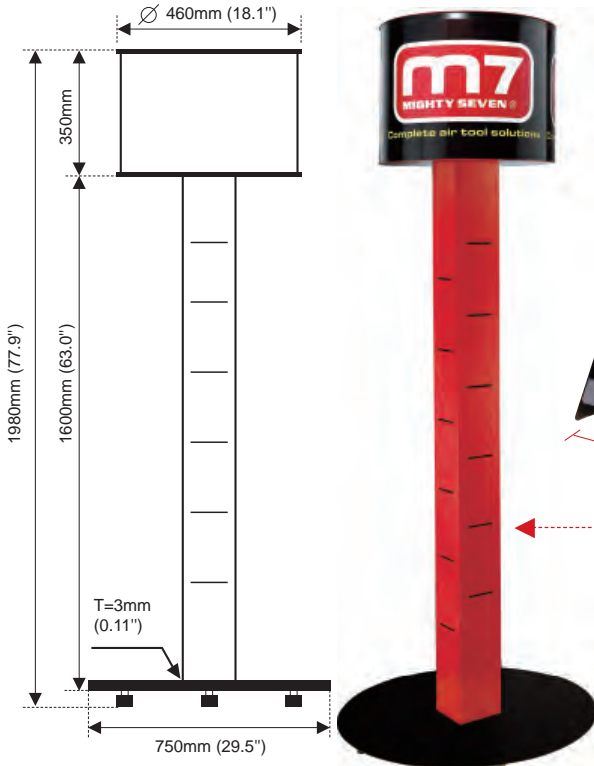
DISPLAY CASE

## AD-308

### Tower Type Display Stand

- 1 pc Transparent DM shelf
- 2 pcs support frame
- 1 pc Bottom shelf

Contains	Package			
	net weight kg	gross weight kg	length mm	width mm
Lamp Case Set	4.35	5.35	530	510 101
Display Pillar	8.0	9.0	930	330 180
Display Stand Bottom Plate	10.45	11.45	810	820 70



## AD-201

### 1/2" DR. Socket Shelf Set



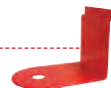
## SH-1001

### AIR TOOL HOLDER



## AD-305-41

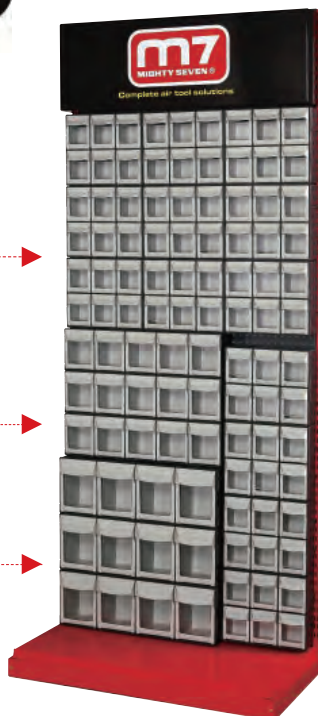
### Optional Item



## SF-306 / SF-604 SF-605

### Spare Parts Box

- greasy-resisting
- wearproof



## AD-431

### 1/2" DR. Socket Shelf Set



Overall Size(mm)  
Width x Depth x Height

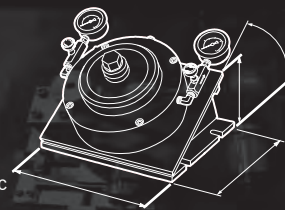
SF-306	303 x 106 x 253 (11.8"x4.1"x1")
SF-604	603 x 167 x 203 (23.7"x6.5"x8")
SF-605	603 x 123 x 153 (23.7"x4.8"x6")



# ACCESSORIES



**ZT-13-1** Forward  
**ZT-13-2** Reverse  
**TORQUE TEST MACHINE**



Torque testing for maintaining pneumatic impact wrenches

- Applicable Range: 50ft-lb~2000ft-lb(70Nm~2700Nm)
- Max. Torque: 3500 ft-lb(5000Nm)
- Applicable Size:SQ,DR-1/2" ~3/4"
- Measuring Direction:ZT-13-1Forward/ZT-13-2Reverse
- Screw Size:M32
- Length x Width:35cm\*30cm
- Weight:49KG



# ACCESSORIES

ACCESSORIES

## NON-VACCUM VELCRO

backing Face : velcro



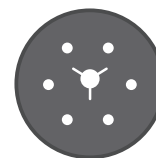
Bliester+Card

ITEM NO.	SIZE	Max R.P.M
QB-9302	2"	15000
QB-9303	3"	15000
QB-9305	5"	12000
QB-9306	6"	12000



## SIX HOLE

backing Face :  
velcro & vinyl are both available



Bliester+Card

ITEM NO.	SIZE	Max R.P.M
QB-9315 (velcro)	5"	12000
QB-9355 (vinyl)	5"	10000
QB-9316 (velcro)	6"	12000
QB-9356 (vinyl)	6"	12000



## NON-VACCUM VINYL

backing Face : vinyl



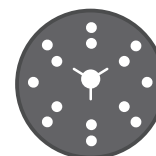
Bliester+Card

ITEM NO.	SIZE	Max R.P.M
QB-9345	5"	12000
QB-9307	6"	12000



## FIFTEEN HOLE

backing Face :  
velcro & vinyl are both available



Bliester+Card

ITEM NO.	SIZE	Max R.P.M
QB-9327 (velcro)	6"	12000
QB-9366 (vinyl)	6"	12000



# QB-922 / QB-923

Roll On Holder

ITEM NO.	SIZE	Max R.P.M	For m7 item NO.
QB-922	2"	30000	QP-212 QP-213
QB-923	3"	20000	QP-223 QB-625



Bag+Card



**QB-922**  
2"Roll On Holder

**QB-923**  
3"Roll On Holder

# QB-9337M QB-9337S

7" Sanding Pad



ITEM NO.	SIZE	Max R.P.M	Thread Size	For m7 item NO.
QB-9337M	7"	15,000	M14*2.0	QP-307 OP-327
QB-9337S	7"	15,000	5/8"*11	QP-317

# ACCESSORIES

ACCESSORIES

## PAD DIE Series

5 pcs / 1 SET

Use on QB-922 & QB-923



Bliester+Card

## SANDING Disc

5 pcs / 1 SET

Use on QB-922 & QB-923



Bliester+Card

ITEM NO.	SIZE	PS.	Max R.P.M	For m7 item NO.
QB-9702k-24	2"	Grit:#24	30,000	QP-212 QP-212N QB-625 QB-0618
QB-9702k-40		Grit:#40		
QB-9702k-60		Grit:#60		
QB-9702k-80		Grit:#80		
QB-9702k-100		Grit:#100		
QB-9702k-120		Grit:#120		
QB-9702k-150		Grit:#150		
QB-9702k-180		Grit:#180		
QB-9702k-240		Grit:#240		
QB-9703k-24		3"		
QB-9703k-40	Grit:#40			
QB-9703k-60	Grit:#60			
QB-9703k-80	Grit:#80			
QB-9703k-100	Grit:#100			
QB-9703k-120	Grit:#120			
QB-9703k-150	Grit:#150			
QB-9703k-180	Grit:#180			
QB-9703k-320	Grit:#320			



ITEM NO.	SIZE	PS.	R.P.M	For m7 item NO.
QB-9712-YL	2"	Yellow-coarse #80	30,000	QP-212 QP-212N QB-625 QB-0618
QB-9712-RD	2"	Red-Medium #150		
QB-9712-BL	2"	Blue-Fine #300		
QB-9713-YL	3"	Yellow-coarse #80		
QB-9713-RD	3"	Red-Medium #150		
QB-9713-BL	3"	Blue-Fine #300		



# QB-95 SERIES

Wool Bonnet PAD  
Available with



Bag+Card

ITEM NO.	SIZE	PS.	FOR ITEM
0QB-9512	2"	Velcro	QB-9302 QB-9303 QB-9305 QB-9315
0QB-9513	3"	Velcro	
0QB-9515	5"	Velcro	
0QB-9517	7"	Velcro	
0QB-9507	7"	Tie Cords	

# QB-94 SERIES

Sponge  
Available with QB-802



Bag+Card

ITEM NO.	SIZE	PS.	Thickness	FOR ITEM
0QB-9402	2"	Yellow / Rough	25mm	QB-9302 QB-9303 QB-9305 QB-9306 QB-9315 QB-9316 QB-9327
0QB-9422	2"	White / Medium	25mm	
0QB-9403	3"	Yellow / Rough	25mm	
0QB-9413	3"	White / Medium	25mm	
0QB-9404	4"	Yellow / Rough	25mm	
0QB-9424	4"	White / Medium	25mm	
0QB-9405	5"	Yellow / Rough	25mm	
0QB-9425	5"	White / Medium	25mm	
0QB-9406	6"	Yellow / Rough	25mm	
0QB-9426	6"	White / Medium	25mm	
0QB-9407	7"	Yellow / Rough	25mm	
0QB-9427	7"	White / Medium	25mm	

# QB-9712K / QB-9713K

Stripping Disc  
Use on QB-922 & QB-923  
Roll-on holder



5 pcs / 1 SET

Item NO.	SIZE	R.P.M
QB-9712K	2"	15,000
QB-9713K	3"	15,000



Bag+Card

# QB-9434 FOR GLOBAL QB-9434U FOR USA ONLY

Eraser Wheel  
Available with  
QB-812T



# QB-9444 FOR GLOBAL QB-9444U FOR USA ONLY

Eraser Wheel  
Available with  
QB-802 QB-812



# ACCESSORIES

## QB-9211 [SET]

Grinder Stone Set  
(3mm Shank)

Available with  
QA-633Q QA-611 QA-632Q  
QA-111 QA-211 QA-231Q  
QA-311 QA-313 QA-315



Bliester+Card

## QB-9213 [SET]

Grinder Stone Set  
(6mm Shank)

Available with  
m7 ALL AIR DIE GRINDER



Bliester+Card

## QB-911 Series QB-912 Series

Abrasive Cloth Belt

QB-91108

QB-91110

Available with  
for QB-311 / QB-321

QB-91208

QB-91210

Available with  
for QB-312 / QB-322 / QB-322C





Bag+Card

ITEM NO.	Belt Size	 	For m7 item NO.
QB-91108	10mm x 330mm #80	10Pcs/1 Set	QB-311 QB-321
QB-91110	10mm x 330mm #100	10Pcs/1 Set	
QB-91208	20mm x 520mm #80	10Pcs/1 Set	QB-322 QB-322C QB-312
QB-91210	20mm x 520mm #100	10Pcs/1 Set	

## QB-904/QB-905/QB-907

Grinding Wheel Materials: Aluminum Oxide





ITEM NO.	Specification	 	For m7 item NO.
0QB-904	100 x 6 x 16 4" x 1/4" x 5/8" 102mm	25 / 200	(QB-904) : QB-104 QB-114 QB-124 QB-134 QB-144 QB-154 QB-164 QB-194 QB-194N QB-194L QB-7114 (QB-905) : QB-115 QB-125 QB-135 QB-145 QB-155 QB-165 QB-185 QB-195 QB-7115 (QB-907) : QB-107 QB-117 QB-177 QB-187 QB-197
0QB-905	125 x 6 x 22 5" x 1/4" x 7/8" 127mm	25 / 200	
0QB-907	180 x 6 x 22 7" x 1/4" x 7/8" 128mm	25 / 200	

## QB-913 QB-914

Cut-off Wheel



ITEM NO.	Specification	 	For m7 item NO.
0QB-913	75 x 1.5 x 10 3" x 16" x 3/8" 76mm	25 / 200	QC-213/ QC-213T QC-253
0QB-914	100 x 1.5 x 10 4" x 16" x 3/8" 102mm	25 / 200	QC-213 / QC-213T QC-253 / QC-264

## QD-932P

32T Saw Blade  
Bi-Metal Material  
Available with  
QD-221 QD-291



10 pcs / box

Bliester+Card

## QD-924P

24T Saw Blade  
Bi-Metal Material  
Available with  
QD-221 QD-291



10 pcs / box

Bliester+Card

## SC-415P CHISEL SET SC-425P CHISEL SET

● SC-415 - Chisel Set / 175mmL / Round  
● SC-425 - Chisel Set / 175mmL / Hex  
Available with  
SC-331C SC-341C SC-332C SC-342C  
SC-211C SC-221C SC-212C SC-222C



Flat Chisel



Cutting Chisel



Tapered Punch



Ripping Chisel



Tail Pipe Cutter

Bliester+Card

## QK-Series

Air Knife

For QK-111

QK-111-P51 QK-111-P52

QK-111-P53

QK-111-P54

QK-111-P50



QK-2036



QK-2063



QK-2090



## SN-124 SN-128 SN-268 SN-288



Box

Needle Set  
SN-288  
(12 Needle Set) 3 x125mm  
Available with  
SN-1288

SN-124  
(24 Needle Set) 3 x180mm  
Available with  
SN-2124

SN-268  
(19 Needle Set) 3 x180mm  
Available with  
SN-1268 / 2110 / 1368

SN-128  
(28 Needle Set) 3  
x180mm Available with  
SN-2128

## QM-901

Universal repairing Kit for  
auto Transmission shaft boot  
Available with QM-1125



## SC-2A

Retainer



## SC-2B

Quick Change Retainer

Available with  
For SC-21/SC-22 SC-31/SC-34 SERIES



## QD-905P

4 Pieces File Set Clamshell Pack

20 pieces in one carton

For QD-291 / 230

Bliester+Card



## QD-906P

5 Pieces File Set Clamshell Pack

20 pieces in one carton

For QD-221

Bliester+Card



## PC-901

Adjustable Torque Air Tapping Adapter  
HEX:8mm



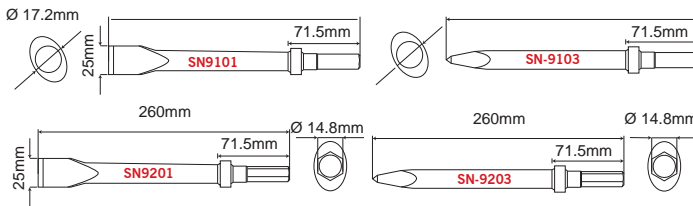
For: Air Drill, Electricity Drill, Cordless Drill  
, Drill machine

Paper Package



# ACCESSORIES

## SN-9101/9103 SN-9201/9203



## CHISEL

For SN-31/SC-32 SERIES



## PA-MC

Automatic Mandrel Collection

### CAPACITY

3/32" (2.4mm)	220pcs
1/8" (3.2mm)	160pcs
5/32" (4.0mm)	110pcs
3/16" (4.8mm)	80pcs



## PE-MC

Automatic Mandrel Collection

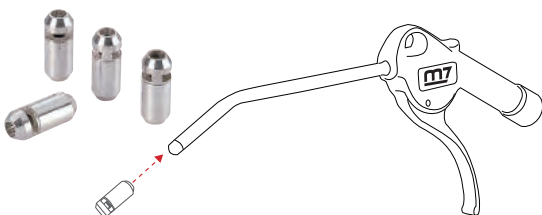


## JC-491

Standard Safety Tip

Available with

JC-491 for JC-405 JC-410 JC-412 JC-424 JC-435



## SW-12(1/4") SW-13(3/8")

Mini Lubricator

Install on the air inlet to provide automatic lubrication.

8c.c. Lubricating oil capacity.



Bliester+Card

## NC-4255PVC

Protective boot



The NC-4255-PVC Protective boot

can apply on NC-4255 & NC-6255

Bag+Card

## MA-412M1719



Double Sided Socket

2" Extended Anvil matching special double sided socket 17mm&19mm specifically for automotive tyres.

## MA-412S2426



Double Sided Socket

2" Extended Anvil matching special double sided socket 24mm&26mm specifically for automotive tyres.

## MA-412M2122



Double Sided Socket

2" Extended Anvil matching special double sided socket 21mm&22mm specifically for automotive tyres.

## PA-9048

4.8mm (3/16") Riveter Adaptor

## PA-9064

6.35mm (1/4") Riveter Adaptor

## PB-9006

M6 Rivet Nut Adaptor

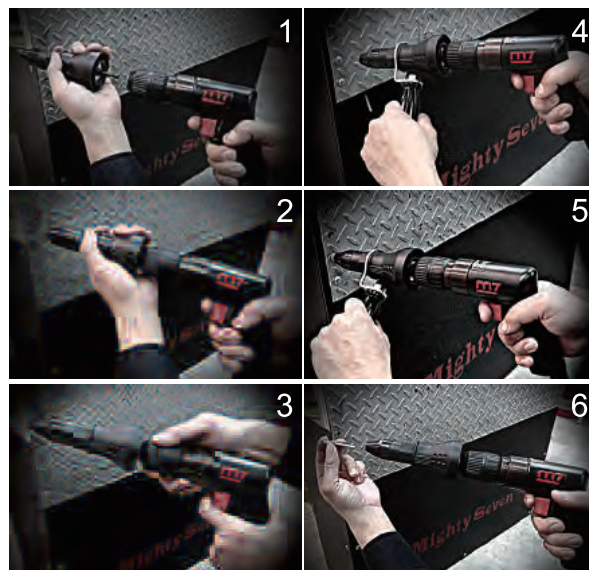
## PB-9010

M10 Rivet Nut Adaptor



### Assembling and Using Before first Use

Remove the unit and the accessory out of the packaging . keep packaging materials Out of reach of children.there is risk of suffocation



### Technical Data

#### PA-9064

Dimensions	59mm x173mm(2-11/32 x 6-3/4 inch)
Net Weight	330g=0.73 lbs
Gross Weight	500g=1.10 lbs
Nosepiece	3.2mm(1/8), 4.0mm(5/32)
Nosepiece	4.8mm(3/16),6.4mm(1/4)
Hex Shank	1/4" (6.35 mm)
Cordless Drill	14.4V ,18V
Cordless Drive	14.4V ,18V
Reversible electric	1/2"Drill
Reversible pneumatic	1/2"Drill
Min. Torque Strength	50 Nm = 37 ft/lbs
Max. rpm	1,000 rpm

1. Hex Shank	1/4 (6.35 mm)
2. Housing	PA+GF
3. Nosepiece	3.2, 4.0, 4.8, 6.4mm
4. Sight Window	Blind Rivet Loading
5. Wrench	1PC
6. Handle	1PC

#### PA-9048

Dimensions	59mm x158mm(2-11/32 x 6-3/16 inch)
Net Weight	318g=0.70 lbs
Gross Weight	368g=0.81 lbs
Nosepiece	2.4mm(3/32),3.2mm(1/8)
Nosepiece	4.0mm(5/32),4.8mm(3/16)
Hex Shank	1/4" (6.35 mm)
Cordless Drill	12V 14.4V 18V
Cordless Drive	12V 14.4V 18V
Reversible electric	3/8"Drill
Reversible pneumatic	3/8"Drill
Min. Torque Strength	11 Nm = 8 ft/lbs
Max. rpm	1,000 rpm

1 Hex Shank	1/4 (6.35 mm)
2 Housing	PA+GF
3 Nosepiece	2.4mm , 3.2mm, 4.0mm, 4.8mm
4 Sight Window	Blind Rivet Loading
5 Wrench	1PC

#### PB-9006

Dimensions	59mm x172mm(2-11/32" x 6-25/32")
Weight	280g=0.62 lbs
Nosepiece	M3 M4 M5 M6
Hex Shank	1/4" (6.35 mm)
Cordless Drill	12V 14.4V
Cordless Drive	12V 14.4V
Reversible electric	Drill (Advice 500W)
Reversible pneumatic	Drill (Advice 3/8")
Min. Torque Strength	15 Nm = 11 ft/lbs
Max. rpm	1000 rpm

#### PB-9010

Dimensions	59mm x180mm(2-11/32" x 7-3/32")
Weight	350g=0.77 lbs
Nosepiece	M6 M8 M10
Hex Shank	1/4" (6.35 mm)
Cordless Drill	14.4V
Cordless Drive	18V
Reversible electric	Drill (Advice 500W)
Reversible pneumatic	Drill (Advice 1/2")
Min. Torque Strength	100 Nm = 73.7 ft/lbs
Max. rpm	800 rpm

# ACCESSORIES

ACCESSORIES

## QB-9303K04

3" Sander/Buffer Versatility KIT  
Thread: 5/16"x24  
MAX : 15000 R.P.M  
For QP-113 QP-123 QP-213 QP-223



Blister+Card

CONTENTS:  
3" Sanding Pad x 1PC  
3" Foam Yellow x 1PC  
3" Foam White x 1PC  
3" wool Bonnet x 1PC  
MAX RPM: 15000  
Backing Face :  
Velcro available

## QB-974K12

2"&3" Surface Sanding KIT  
2" MAX : 30000 R.P.M  
3" MAX : 20000 E.P.M  
For QP-212 QP-213 QP-223 QB-625



Blister+Card

SHANK TYPE  
QB-974K12A: 6mm  
QB-974K12B: 1/4"

CONTENTS:  
Shank x 2 pcs (A or B)  
2" Rollon Holder x 1PC  
3" Rollon Holder x 1PC  
2" Sanding Disk x 4PCS  
3" Sanding Disk x 4PCS

## QB-9742K12

2" Surface Sanding KIT  
MAX : 30000 R.P.M  
For QP-212 QP-213 QP-223 QB-625



Blister+Card

SHANK TYPE  
QB-9742K12A: 6mm  
QB-9742K12B: 1/4"

CONTENTS:  
Shank x 1 PC (A or B)  
2" Rollon Holder x 1PC  
2" Pad Die x 6PCS  
2" Sanding Disc x 3PCS  
2" Stripping Disc x 1PC

## QB-9743K12

3" Surface Sanding KIT  
MAX : 20000 R.P.M  
For QP-212 QP-213 QP-223 QB-625



Blister+Card

SHANK TYPE  
QB-9743K12A: 6mm  
QB-9743K12B: 1/4"

CONTENTS:  
Shank x 1 PC (A or B)  
3" Rollon Holder x 1PC  
3" Pad Die x 6PCS  
3" Sanding Disc x 3PCS  
3" Stripping Disc x 1PC

## QB-9742K20

2" Surface Sanding KIT  
MAX : 30000 R.P.M  
For QP-212 QP-213 QP-223 QB-625



Blister+Card

SHANK TYPE  
QB-9742K20A: 6mm  
QB-9742K20B: 1/4"

CONTENTS:  
Shank x 1 PC (A or B)  
2" Rollon Holder x 1PC  
2" Pad Die x 15PCS  
2" Sanding Disc x 3PCS

## QB-9743K20

3" Surface Sanding Kit

MAX : 20000 R.P.M

For QP-212 QP-213 QP-223 QB-625



Bliester+Card

SHANK TYPE  
QB-9743K20A:6mm  
QB-9743K20B:1/4"

CONTENTS:  
Shank x 1 PC (A or B)  
3"Rollon Holder x 1PC  
3"Pad Die x 15PCS  
3"Sanding Disc x 3PCS

## QB-9762K07

2"Surface Pad Conditioning Disc Kit

MAX : 20000 R.P.M

For QP-113 QP-123 QP-213 QP-223



Bliester+Card

SHANK TYPE  
QB-9762K07A:6mm  
QB-9762K07B:1/4"

CONTENTS:  
Shank x 1 PC (A or B)  
2"Stripping Disc x 2PCS

2"Conditioning Disc:  
Red x 2PCS  
Grey X 2PCS

## QB-9752K07

2" Felt Pad Conditioning Disc Kit

MAX : 20000 R.P.M

For QP-113 QP-123 QP-213 QP-223



Bliester+Card

SHANK TYPE  
QB-9752K07A:6mm  
QB-9752K07B:1/4"

CONTENTS:  
2"Felt Pad x 6PCS

## QB-9773K19

3" Polishing Sponge Kit

MAX : 15000 R.P.M

For QP-113 QP-123 QP-213 QP-223



Bliester+Card

SHANK TYPE  
QB-9773K19A:6mm  
QB-9773K19B:1/4"

CONTENTS:  
Shank x 1 PC (A or B)  
3"Sanding Pad x 1PC  
3"Sanding Sponge x6PCS  
3"Sanding Paper x10PCS  
3"Polishing Sponge x2PCS

# AIR ADAPTOR QUICK COUPLINGS



**SY-2001M**  
360° Rotatable Adaptor  
Air inlet 1/4"



**SY-2002M**  
Air Regulator & 360°  
Rotatable Adaptor  
Air inlet 1/4"

## SY-M SY-F Air Adaptor / Quick Couplings

Item No.	Thread Type	Thread Size	Type	Picture
SY-211M SY-211F	Male Female	1/4" PT	Europe	
SY-221M SY-321M	Male	1/4" PT 3/8" PT	Japan	
SY-221F SY-321F	Female	1/4" PT 3/8" PT		
SY-231M SY-231F	Male Female	1/4" NPT	U.S.A	
SY-251M SY-351M	Male	1/4" PT 3/8" PT	France	
SY-251F SY-351F	Female	1/4" PT 3/8" PT		



Item No.	Thread Type	Thread Size	Type	Picture
SY-210M SY-210F	Male Female	1/4" PT	Europe	
SY-220M SY-320M	Male	1/4" PT 3/8" PT	Japan	
SY-220F SY-320F	Female	1/4" PT 3/8" PT		
SY-230M SY-230F	Male Female	1/4" NPT	U.S.A	

## Two - stage safety quick connector structure.

- The joint can be discouraged in two sections.
- The joint structure can quickly distinguish.


Item No.	Thread Type	Thread Size	Type	Picture
SY-210SM SY-210SF	Male Female	1/4" PT	Europe	
SY-220SM SY-220SF	Male Female	1/4" PT	Japan	
SY-230SM SY-230SF	Male Female	1/4" PT	U.S.A	
SY-250SM SY-250SF	Male Female	1/4" PT	France	


## Safety lock ratchet structure

Item No.	Thread Type	Thread Size	Type	Picture
SY-210SM-L SY-210SF-L	Male Female	1/4" PT	Europe France	
SY-220SM-L SY-220SF-L	Male Female	1/4" PT	Japan	

## Composte Quick Coupling

Item No.	Thread Type	Thread Size	Type	Picture
SY-0213M SY-0313M SY-0413M	Male	1/4" PT 3/8 PT 1/2 PT	Europe	
SY-0223M SY-0323M SY-0423M		1/4" PT 3/8 PT 1/2 PT	Japan	
SY-0233M SY-0333M SY-0433M		1/4" PT 3/8 PT 1/2 PT	U.S.A France	

Item No.	Thread Type	Thread Size	Type	Picture
SY-1213F SY-1313F SY-1413F	Female	1/4" PT 3/8 PT 1/2 PT	Europe	
SY-1223F SY-1323F SY-1423F		1/4" PT 3/8 PT 1/2 PT	Japan	
SY-1233F SY-1333F SY-1433F		1/4" PT 3/8 PT 1/2 PT	U.S.A France	

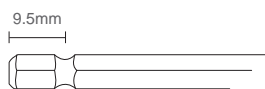
Item No.	Thread Type	Thread Size	Type	Picture
SY-2213P SY-2313P SY-2413P	----	5X8 PU 6.5X10 PU 8X12 PU	Europe	
SY-2223P SY-2323P SY-2423P		5X8 PU 6.5X10 PU 8X12 PU	Japan	
SY-2233P SY-2333P SY-2433P		5X8 PU 6.5X10 PU 8X12 PU	U.S.A France	

Item No.	Thread Type	Thread Size	Type	Picture
SY-3113H SY-3213H SY-3313H SY-3413H	----	10SH 1/4" 20SH 5/16" 30SH 3/8" 40SH 1/2"	Europe	
SY-3123H SY-3223H SY-3323H SY-3423H		10SH 1/4" 20SH 5/16" 30SH 3/8" 40SH 1/2"	Japan	
SY-3133H SY-3233H SY-3333H SY-3433H		10SH 1/4" 20SH 5/16" 30SH 3/8" 40SH 1/2"	U.S.A France	

# POWER BIT

## 1/4" POWER BIT

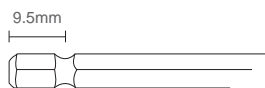
(PHILLIPS HEAD)



"OVERALL LENGTH(mm)"	SIZE	ITEM NO.	øD(mm)
50	0	MD10150P0A	3
	1	MD10150P1A	4.5
	2	MD10150P2A	6
	3	MD10150P3A	6
70	1	MD10170P1A	4.5
	2	MD10170P2A	6
	3	MD10170P3A	6

## 1/4" POWER BIT

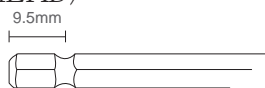
(POZIDIV HEAD)



"OVERALL LENGTH(mm)"	SIZE	ITEM NO.	øD(mm)
50	0	MD10150Z0A	3
	1	MD10150Z1A	4.5
	2	MD10150Z2A	6
	3	MD10150Z3A	6
70	1	MD10170Z1A	4.5
	2	MD10170Z2A	6
	3	MD10170Z3A	6

## 1/4" POWER BIT

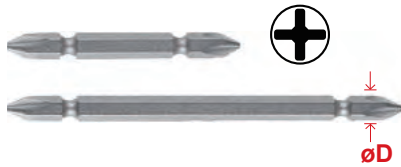
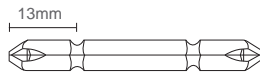
(STAR TAMPER HEAD)



"OVERALL LENGTH(mm)"	SIZE	ITEM NO.	øD(mm)
50	6	MD10150TT06A	3.2
	7	MD10150TT07A	3.2
	8	MD10150TT08A	3.2
	9	MD10150TT09A	3.2
	10	MD10150TT10A	4
	15	MD10150TT15A	4
	20	MD10150TT20A	4.8
	25	MD10150TT25A	4.8
	27	MD10150TT27A	6
	30	MD10150TT30A	6
	40	MD10150TT40F	6.3
70	6	MD10170TT06A	3.2
	7	MD10170TT07A	3.2
	8	MD10170TT08A	3.2
	9	MD10170TT09A	3.2
	10	MD10170TT10A	4
	15	MD10170TT15A	4
	20	MD10170TT20A	4.8
	25	MD10170TT25A	4.8
	27	MD10170TT27A	6
	30	MD10170TT30A	6
	40	MD10170TT40F	6.3
45	MD10170TT45E	8	
50	MD10170TT50E	9.1	

# 1/4" POWER BIT

(DOUBLE PHILLIPS HEAD)



"OVERALL LENGTH(mm)"	SIZE	ITEM NO.
65	1	MD10165P1P1A
	2	MD10165P2P2A
	3	MD10165P3P3A
110	1	MD101110P1P1A
	2	MD101110P2P2A
	3	MD101110P3P3A

# 1/4" POWER BIT

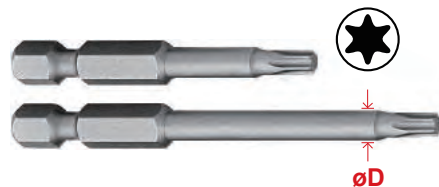
(HEX HEAD)



"OVERALL LENGTH(mm)"	A(mm)	ITEM NO.
50	1.5	MD10150H015A
	2	MD10150H020A
	2.5	MD10150H025A
	3	MD10150H030A
	4	MD10150H040A
	5	MD10150H050A
	6	MD10150H060F
	7	MD10150H070E
	8	MD10150H080E
70	10	MD10150H100E
	1.5	MD10170H015A
	2	MD10170H020A
	2.5	MD10170H025A
	3	MD10170H030A
	4	MD10170H040A
	5	MD10170H050A
	6	MD10170H060F
	7	MD10170H070E
	8	MD10170H080E
10	MD10170H100E	

# 1/4" POWER BIT

(STAR HEAD)



"OVERALL LENGTH(mm)"	SIZE	ITEM NO.	$\varnothing D$ (mm)
50	6	MD10150T06A	3.2
	7	MD10150T07A	3.2
	8	MD10150T08A	3.2
	9	MD10150T09A	3.2
	10	MD10150T10A	4
	15	MD10150T15A	4
	20	MD10150T20A	4.8
	25	MD10150T25A	4.8
	27	MD10150T27A	6
	30	MD10150T30A	6
	40	MD10150T40F	7
	45	MD10150T45E	8
	50	MD10150T50E	9.1
	70	6	MD10170T06A
7		MD10170T07A	3.2
8		MD10170T08A	3.2
9		MD10170T09A	3.2
10		MD10170T10A	4
15		MD10170T15A	4
20		MD10170T20A	4.8
25		MD10170T25A	4.8
27		MD10170T27A	6
30		MD10170T30A	6
40		MD10170T40F	7
45		MD10170T45E	8
50		MD10170T50E	9.1



# MERCHANDISE

## ZC-201

T-shirt



## ZC-501



SIZE	S	M	L	XL	2XL
	3XL	4XL	3L	4L	5L

## ZB-9156

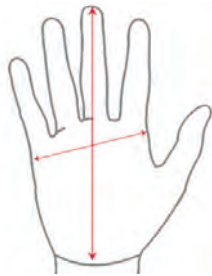
LED Pen light



LED x 4pcs  
No. 4 battery x 3pcs included

## ZB-812

Anti-vibration Glove



**Palm length :**  
Distance between middle finger to bottom of the palm

**Palm width :**  
Distance between left side and right side of the palm

CE EN388 2121X

Item Description	length(cm)	wide(cm)
M	21.3	10.5
L	22	11
XL	22.7	11.5
XXL	23.4	12

## ZB-814

Cut Resistant Gloves Protection and Safety Blades to hand protection Mitts



## ZC-202-1

Baseball Cap



## ZC-203

Sports Cap



## ZB-306

Pen(Stylus)

• Pen with touch function



## ZB-307

Pen



## ZB-604

USB drive

• 8GB USB Flash Drive



**ZF-01**

WING PROTECTOR COVER



05

06 07



**ZH-104**



**ZF-02**

WING PROTECTOR COVER



**ZC-112**

TOOL Bag  
(rubber base)  
40\*22\*30cm



**ZC-303**

Stickers



**ZC-111**

TOOL Bag  
37\*24\*23cm



08

09

Stickers



01

**ZC-107**

Bag



04

Watch  
**ZG-101**



**ZE-03**



02

03

## User's Manual of Air Impact Wrench

### Working environment:

- Using these tools in any potentially explosive environment is strictly prohibited.
- It is always recommended that these types of tools must be operated when standing on a solid or firm location.
- Always use these tools in a well ventilated area.
- Slipping, stumbling and falling are the major causes of potential serious injury, therefore, a clean and clutter free surface in the working area before operating the tools is strongly recommended.

### Air supply and connection requirements:

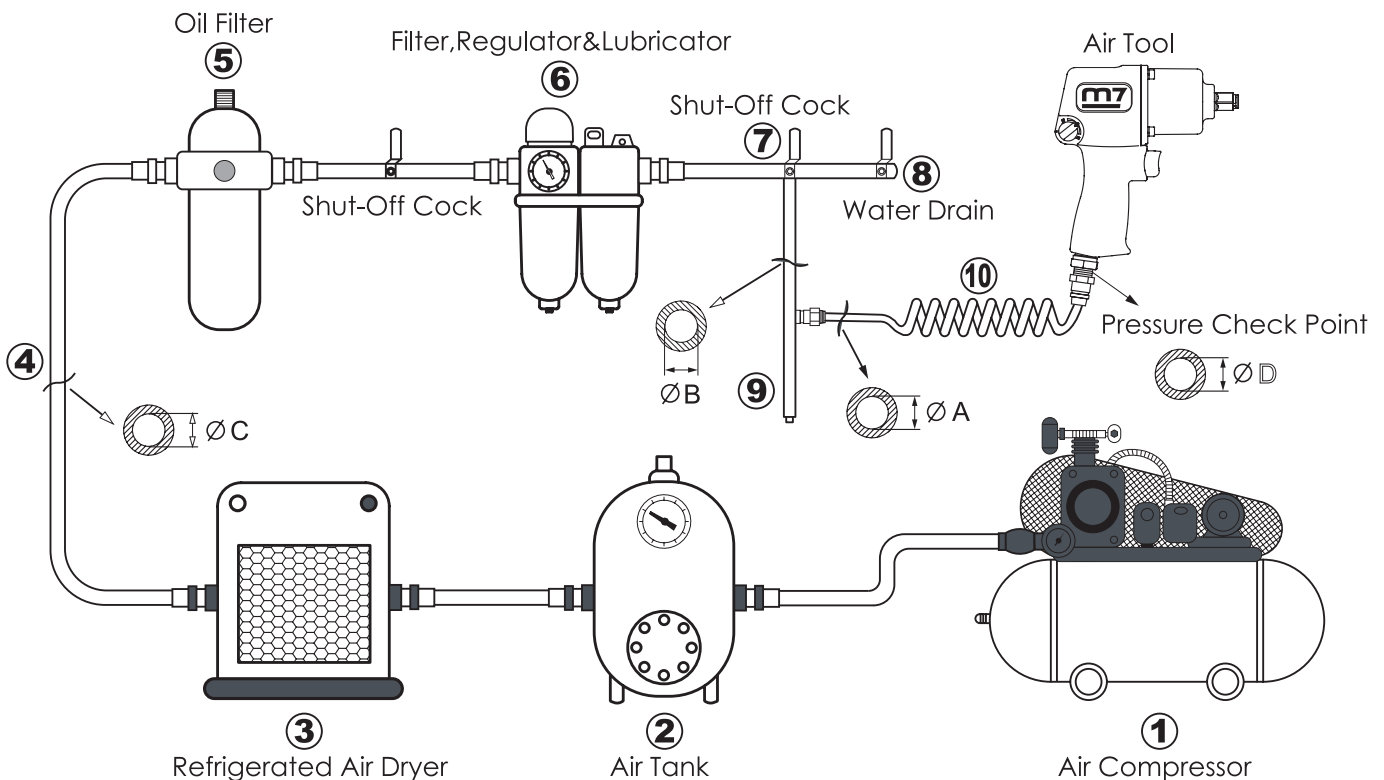
- The maximum recommended air pressure during operation must not exceed 90 psi (6.3bar). Higher air pressure may create unsafe operating conditions for the tool and the user.
- The compressed air should be cooled and have a water filter installed at the outlet end of the compressor. Even with a water filter installed, some water may still condense in the piping or hose and will enter the tool mechanism causing premature damage to the tool. Therefore, it is recommended to install an air filter-lubricator device somewhere between the tool and the compressor.
- Always use an air compressor of the proper capacity to operate each tool.
- Clean the hose with a blast of compressed air before connecting the hose to the air tool. This will prevent both moisture and dust inside the hose from entering the tool and causing possible rust or malfunction.

## Air Tool Repair Kits



M7 provides specialized repairing tools for your after market need

### Ideal system connection



### Piping diameters and length requirement:

- The diameter  $\Phi A$  required for the inlet pipe ⑩ is recommended on the specification table.
- The diameter  $\Phi B$  required for the branch pipe (from ⑦ to ⑨) should be 2 times as large as  $\Phi A$ .  $\Phi B = 2 \times \Phi A$
- The diameter  $\Phi C$  required for the primary air supply (from ① to ⑧) should be 3 times as large as  $\Phi A$ .  $\Phi C = 3 \times \Phi A$
- The length for the inlet pipe ⑩ should be less than 15 feet (4.5m).

## IMPACT WRENCH

Problem (phenomenon)	Possible Cause	Recommended solution
<ol style="list-style-type: none"> <li>1. The tool runs automatically or tool will not shut off.</li> <li>2. Torque decreases slightly.</li> <li>3. Sound of air leaking.</li> </ol>	<ol style="list-style-type: none"> <li>1. Dust jam.</li> </ol>	<ol style="list-style-type: none"> <li>1. Clean and remove the dust from the air inlet.</li> <li>2. Clean the throttle valve.</li> <li>3. Apply a few drops of recommended pneumatic oil into the air inlet.</li> <li>4. Pull the trigger and run for several seconds to get rid of the dust.</li> </ol>
<ol style="list-style-type: none"> <li>1. Severe torque loss, but will still run at full free speed,</li> <li>2. Tool will not run.</li> </ol>	<ol style="list-style-type: none"> <li>1. The rotor blades may be damaged,</li> <li>2. The screws may be loose.</li> <li>3. The reverse button (knob) may be out off position.</li> <li>4. Some component(s) in motor housing or hammer housing may be worn off.</li> </ol>	<ol style="list-style-type: none"> <li>1. Check and replace new ones, if necessary.</li> <li>2. Tighten all loose screws.</li> <li>3. Adjust the button.</li> <li>4. Check and replace them, if necessary.</li> </ol>
<ol style="list-style-type: none"> <li>1. Air leaks from hammer housing or rear cover.</li> </ol>	<ol style="list-style-type: none"> <li>1. The screws may be loose.</li> <li>2. The gasket seal may be broken.</li> </ol>	<ol style="list-style-type: none"> <li>1. Tighten all loose screws.</li> <li>2. Replace it.</li> </ol>

**Note:** The consumable parts are the rotor blades, anvil and hammer.

## RATCHET WRENCH

Problem (phenomenon)	Possible Cause	Recommended solution
<ol style="list-style-type: none"> <li>1. The tool runs automatically or tool will not shut off.</li> <li>2. Torque decreases slightly.</li> <li>3. Sound of air leaking.</li> </ol>	<ol style="list-style-type: none"> <li>1. Dust jam.</li> </ol>	<ol style="list-style-type: none"> <li>1. Clean and remove the dust from the air inlet.</li> <li>2. Clean the throttle valve.</li> <li>3. Apply a few drops of recommended pneumatic oil into the air inlet.</li> <li>4. Pull the trigger and run for several seconds to get rid of the dust.</li> </ol>
<ol style="list-style-type: none"> <li>1. Severe torque loss, but will still run at full free speed,</li> <li>2. Tool will not run.</li> </ol>	<ol style="list-style-type: none"> <li>1. The rotor blades may be damaged,</li> <li>2. The screws may be loose.</li> <li>3. The reverse button (knob) may be out off position.</li> <li>4. Some component(s) in motor housing or hammer housing may be worn off.</li> </ol>	<ol style="list-style-type: none"> <li>1. Check and replace new ones, if necessary.</li> <li>2. Tighten all loose screws.</li> <li>3. Adjust the button.</li> <li>4. Check and replace them, if necessary.</li> </ol>

**Note:** The consumable parts are the rotor blades, gears and ratchet anvil.

## DIE GRINDER

Problem (phenomenon)	Possible Cause	Recommended solution
<ol style="list-style-type: none"> <li>1. The tool runs automatically or tool will not shut off.</li> <li>2. Torque decreases slightly.</li> <li>3. Sound of air leaking.</li> </ol>	<ol style="list-style-type: none"> <li>1. Dust jam.</li> <li>2. Trigger may be damaged!</li> </ol>	<ol style="list-style-type: none"> <li>1. Clean to remove the dust from the air inlet.</li> <li>2. Clean the throttle valve.</li> <li>3. Apply a few drops of recommended pneumatic oil into the air inlet.</li> <li>4. Push trigger and run for several seconds to get rid of the dust.</li> <li>5. Inspect the trigger, correct or replace the related component when necessary.</li> </ol>
<ol style="list-style-type: none"> <li>1. Severe torque loss, but will still run at full free speed,</li> <li>2. Tool will not run.</li> </ol>	<ol style="list-style-type: none"> <li>1. The rotor blades may be damaged,</li> <li>2. The screws may be loose.</li> <li>3. The Air Regulator may not be in correct position.</li> <li>4. The Collet Nut may be loose.</li> </ol>	<ol style="list-style-type: none"> <li>1. Check and replace with new ones, if necessary.</li> <li>2. Tighten all loose screws.</li> <li>3. Check and correct.</li> <li>4. Check and tighten.</li> </ol>

**Note:** The consumable parts are the rotor blades, bearings and collet.

## AIR CUTTING OFF TOOL

Problem (phenomenon)	Possible Cause	Recommended solution
<ol style="list-style-type: none"> <li>1. The tool runs automatically or tool will not shut off.</li> <li>2. Torque decreases slightly.</li> <li>3. Sound of air leaking.</li> </ol>	<ol style="list-style-type: none"> <li>1. Dust jam.</li> <li>2. Trigger may be damaged!</li> </ol>	<ol style="list-style-type: none"> <li>1. Clean and remove the dust from the air inlet.</li> <li>2. Clean the throttle valve.</li> <li>3. Apply a few drops of recommended pneumatic oil into the air inlet.</li> <li>4. Push trigger and run for several seconds to get rid of the dust.</li> <li>5. Inspect the trigger, correct or replace the related component when necessary.</li> </ol>
<ol style="list-style-type: none"> <li>1. Severe torque loss, but will still run at full free speed.</li> <li>2. Tool will not run.</li> </ol>	<ol style="list-style-type: none"> <li>1. The rotor blades may be damaged,</li> <li>2. The screws may be loose.</li> <li>3. The Air Regulator may not be in correct position.</li> </ol>	<ol style="list-style-type: none"> <li>1. Check and replace with new ones, if necessary.</li> <li>2. Tighten all loose screws.</li> <li>3. Check and correct.</li> </ol>

Note: The consumable parts are the rotor blades and bearings.

## AIR ANGLE GRINDER

Problem (phenomenon)	Possible Cause	Recommended solution
<ol style="list-style-type: none"> <li>1. The tool runs automatically or tool will not shut off.</li> <li>2. Torque decreases slightly.</li> <li>3. Sound of air leaking.</li> </ol>	<ol style="list-style-type: none"> <li>1. Dust jam.</li> <li>2. Trigger may be damaged!</li> </ol>	<ol style="list-style-type: none"> <li>1. Clean and remove the dust from the air inlet.</li> <li>2. Clean the throttle valve.</li> <li>3. Apply a few drops of recommended pneumatic oil into the air inlet.</li> <li>4. Push trigger and run for several seconds to get rid of the dust.</li> <li>5. Inspect the trigger, correct or replace the related component when necessary.</li> </ol>
<ol style="list-style-type: none"> <li>1. Severe torque loss, but will still run at full free speed.</li> <li>2. Tool will not run.</li> </ol>	<ol style="list-style-type: none"> <li>1. The rotor blades may be damaged,</li> <li>2. The screws may be loose.</li> <li>3. The bevel gears may not have enough grease.</li> <li>4. The bevel gears may be worn off.</li> </ol>	<ol style="list-style-type: none"> <li>1. Check and replace new ones, if necessary.</li> <li>2. Tighten all loose screws.</li> <li>3. Apply some multiple-purpose grease.</li> <li>4. Replace them.</li> </ol>

Note: The consumable parts are the rotor blades and bearings.

## BELT SANDER

Problem (phenomenon)	Possible Cause	Recommended solution
<ol style="list-style-type: none"> <li>1. The tool runs automatically or tool will not shut off.</li> <li>2. Torque decreases slightly.</li> <li>3. Sound of air leaking.</li> </ol>	<ol style="list-style-type: none"> <li>1. Dust jam.</li> </ol>	<ol style="list-style-type: none"> <li>1. Clean and remove the dust from the air inlet.</li> <li>2. Clean the throttle valve.</li> <li>3. Apply a few drops of recommended pneumatic oil into the air inlet.</li> <li>4. Pull the trigger and run for several seconds to get rid of the dust.</li> </ol>
<ol style="list-style-type: none"> <li>1. Severe torque loss, but will still run at full free speed.</li> <li>2. Tool will not run.</li> </ol>	<ol style="list-style-type: none"> <li>1. The rotor blades may be damaged.</li> <li>2. The screws may be loose.</li> <li>3. The belt may not be seated correctly.</li> <li>4. The bearings may be damaged.</li> </ol>	<ol style="list-style-type: none"> <li>1. Check and replace with new ones, if necessary.</li> <li>2. Tighten all loose screws.</li> <li>3. Adjust it.</li> <li>4. Replace them.</li> </ol>

Note: The consumable parts are the rotor blades and bearings.

## AIR SANDER

Problem (phenomenon)	Possible Cause	Recommended solution
<ol style="list-style-type: none"> <li>1. The tool runs automatically or tool will not shut off.</li> <li>2. Torque decreases slightly.</li> <li>3. Sound of air leaking.</li> </ol>	<ol style="list-style-type: none"> <li>1. Dust jam.</li> <li>2. Trigger may be damaged!</li> </ol>	<ol style="list-style-type: none"> <li>1. Clean and remove the dust from the air inlet.</li> <li>2. Clean the throttle valve.</li> <li>3. Apply a few drops of recommended pneumatic oil into the air inlet.</li> <li>4. Pull the trigger and run for several seconds to get rid of the dust.</li> </ol>
<ol style="list-style-type: none"> <li>1. Severe torque loss, but will still run at full free speed.</li> <li>2. Tool will not run.</li> </ol>	<ol style="list-style-type: none"> <li>1. The rotor blades may be damaged,</li> <li>2. The pad may not be correct.</li> <li>3. The screws may be loose.</li> </ol>	<ol style="list-style-type: none"> <li>1. Check and replace with new ones, if necessary.</li> <li>2. Check and replace with the correct one.</li> <li>3. Tighten all loose screws.</li> </ol>

**Note:** The consumable parts are the rotor blades and bearings.

## AIR SHEAR

Problem (phenomenon)	Possible Cause	Recommended solution
<ol style="list-style-type: none"> <li>1. The tool runs automatically or tool will not shut off.</li> <li>2. Torque decreases slightly.</li> <li>3. Sound of air leaking.</li> </ol>	<ol style="list-style-type: none"> <li>1. Dust jam.</li> </ol>	<ol style="list-style-type: none"> <li>1. Clean and remove the dust from the air inlet.</li> <li>2. Clean the throttle valve.</li> <li>3. Apply a few drops of recommended pneumatic oil into the air inlet.</li> <li>4. Pull the trigger and run for several seconds to get rid of the dust.</li> </ol>
<ol style="list-style-type: none"> <li>1. Severe torque loss, but will still run at full free speed,</li> <li>2. Tool will not run.</li> </ol>	<ol style="list-style-type: none"> <li>1. The rotor blades may be damaged,</li> <li>2. The cutting blades may not be sharp enough.</li> <li>3. The cutting blades may not be in the correct position.</li> <li>4. The lock screws for cutting blades may be loose.</li> </ol>	<ol style="list-style-type: none"> <li>1. Check and replace with new ones, if necessary.</li> <li>2. Check and replace with new ones, if necessary.</li> <li>3. Check and adjust them.</li> <li>4. Check and tighten.</li> </ol>

**Note:** The consumable parts are the rotor blades and bearings.

## AIR SAW

Problem (phenomenon)	Possible Cause	Recommended solution
<ol style="list-style-type: none"> <li>1. The tool runs automatically or tool will not shut off.</li> <li>2. Torque decreases slightly.</li> <li>3. Sound of air leaking.</li> </ol>	<ol style="list-style-type: none"> <li>1. Dust jam.</li> <li>2. Trigger may be damaged!</li> </ol>	<ol style="list-style-type: none"> <li>1. Clean and remove the dust from the air inlet.</li> <li>2. Clean the throttle valve.</li> <li>3. Apply a few drops of recommended pneumatic oil into the air inlet.</li> <li>4. Pull the trigger and run for several seconds to get rid of the dust.</li> </ol>
<ol style="list-style-type: none"> <li>1. Severe torque loss, but will still run at full free speed.</li> <li>2. Tool will not run.</li> </ol>	<ol style="list-style-type: none"> <li>1. The rotor blades may be damaged.</li> </ol>	<ol style="list-style-type: none"> <li>1. Check and replace with new ones, if necessary.</li> </ol>
<ol style="list-style-type: none"> <li>1. Severe decrease in reciprocating speed.</li> </ol>	<ol style="list-style-type: none"> <li>1. The drive motor may be dirty.</li> </ol>	<ol style="list-style-type: none"> <li>1. Cleaning required.</li> </ol>

**Note:** The consumable parts are the rotor blades and bearings.

Problem (phenomenon)	Possible Cause	Recommended solution
<b>AIR DRILL</b> 1. The tool runs automatically or tool will not shut off. 2. Torque decreases slightly. 3. Sound of air leaking.	1. Dust jam.	1. Clean and remove the dust from the air inlet. 2. Clean the throttle valve. 3. Apply a few drops of recommended pneumatic oil into the air inlet. 4. Pull the trigger and run for several seconds to get rid of the dust.
1. Severe torque loss, but will still run at full free speed. 2. Tool will not run.	1. The rotor blades may be damaged, 2. The keyless chuck may be damaged.	1. Check both possibilities and replace with new ones, if necessary.

**Note: The consumable parts are the rotor blades and bearings.**

<b>AIR SCREWDRIVER</b> 1. The tool runs automatically or tool will not shut off. 2. Torque decreases slightly. 3. Sound of air leaking.	1. Dust jam.	1. Clean and remove the dust from the air inlet. 2. Clean the throttle valve. 3. Apply a few drops of recommended pneumatic oil into the air inlet. 4. Pull the trigger and run for several seconds to get rid of the dust.
1. Severe torque loss, but will still run at full free speed, 2. Tool will not run.	1. The rotor blades may be damaged, 2. The screws may be loose. 3. The Reverse Knob may be damaged or not in the right position. 4. The impact mechanism may be damaged.	1. Check both possibilities and replace with new ones, if necessary. 2. Tighten all the loose screws. 3. Check and adjust, or replace with a new one if necessary. 4. Check and replace with a new set, if necessary.

**Note: The consumable parts are the rotor blades and bearings.**

<b>AIR HAMMER</b> 1. The tool runs automatically or tool will not shut off. 2. Torque decreases slightly. 3. Sound of air leaking.	1. Dust jam.	1. Clean and remove the dust from the air inlet. 2. Clean the throttle valve. 3. Apply a few drops of recommended pneumatic oil into the air inlet. 4. Pull the trigger and run for several seconds to get rid of the dust.
1. The tool doesn't work	1. The piston may be jammed or damaged. 2. The size of chisel may not be correct.	1. Check and replace the related component when necessary. 2. Check and replace with the correct one.

**Note: The consumable parts are the throttle valve and piston.**

<b>HYDRAULIC RIVETER</b> 1. The tool runs automatically or tool will not shut off. 2. Power decreases slightly. 3. Sound of air leaking.	1. Dust jam.	1. Clean and remove the dust from the air inlet. 2. Clean the throttle valve. 3. Apply a few drops of recommended pneumatic oil into the air inlet. 4. Pull the trigger and run for several seconds to get rid of the dust.
1. The tool doesn't work	1. The size of rivet may not be suitable. 2. The size of rivet nose may not be correct.	1. Check and use the correct ones. 2. Check and replace with the correct one!

**Note: The consumable parts are the rivet nose, jaw housing, front housing and spring.**

## Note:

For more details about the above recommended solutions, please refer to the use'r Manual attached along with each product.

# ALPHABETIC INDEX

## 8

ITEM	page
8702.....	181
8703.....	181
8704.....	181
8706.....	181
8708.....	181

## A

AD-22.....	182
AD-23.....	182
AD-24.....	182
AD-201.....	184
AD-2212.....	182
AD-2218.....	182
AD-2312.....	182
AD-2318.....	182
AD-2318.....	182
AD-2412.....	182
AD-305-41.....	184
AD-306.....	183
AD-307.....	183
AD-308.....	184
AD-309.....	183
AD-3501.....	183
AD-3502.....	183
AD-3503.....	183
AD-351.....	183
AD-3601.....	183
AD-3602.....	183
AD-3603.....	183
AD-431.....	184
AD-361.....	183
AJ-1835.....	157

## D

DD-20502.....	156
DG-585502A.....	155
DW-18502.....	157
DS-10202.....	157
DJ-1835.....	157
DJS-25502A.....	157

## J

JC-202.....	122
JC-304.....	122
JC-310.....	122
JC-313.....	122
JC-320.....	122
JC-340.....	122
JC-405.....	122
JC-410.....	122
JC-412.....	122
JC-424.....	122
JC-435.....	122
JC-491.....	122
JC-640.....	123

JC-641.....	123
JC-680.....	123
JC-0424.....	123
JC-0415.....	123

## M

MA211M.....	166
MA211S.....	166
MA231M.....	166
MA231S.....	167
MA311M.....	167
MA311S.....	167
MA331M.....	168
MA331S.....	168
MA-4030.....	164
MA-4031M85.....	164
MA411M.....	169
MA411S.....	169
MA-412M1719.....	192
MA-412S2426.....	192
MA-412M2122.....	192
MA42006M.....	168
MA42006S.....	168
MA-42015.....	164
MA431M.....	170
MA431S.....	170
MA611M.....	171
MA611S.....	172
MA631M.....	173
MA631S.....	174
MA-8050.....	164
MA811M.....	175
MA811S.....	175
MA831M.....	177
MA831S.....	177
MA911M.....	179
MA931M.....	179
MB34012S.....	161
MB34013M.....	161
MB35012S.....	161
MB35013M.....	161
MB43015M.....	161
MB44013S.....	161
MB44014M.....	161
MB45010M.....	162
MB45013S.....	162
MB45014M.....	162
MB64008M.....	162
MB64008S.....	162
MB64008SP.....	162
MB-65008S1.....	163
MB-65008S.....	163
MB-65008M.....	163
MB-44008S.....	163
MB-44008M.....	163
MD10150P.....	198
MD10170P.....	198

MD10150Z.....	198
MD10170Z.....	198
MD10150TT.....	198
MD10170TT.....	198
MD10165P.....	199
MD101110P.....	199
MD10150H.....	199
MD10170H.....	199
MD10150T.....	199
MD10170T.....	199
ME221.....	180
ME321.....	180
ME421.....	180
ME621.....	180
ME821.....	180
ME422.....	180
MB371S.....	181
ME471M.....	181
ME471S.....	181
ME903.....	182
ME904.....	182
ME906.....	182
ME908.....	182

## N

NC-0208.....	131
NC-2210.....	132
NC-0410KIT.....	46
NC-0415KIT.....	46
NC-0615KIT.....	47
NC-3210.....	28
NC-3410.....	28
NC-3610Q.....	28
NC-3810.....	28
NC-3812.....	29
NC-3831.....	28
NC-3910.....	29
NC-3911.....	29
NC-398.....	28
NC-4130.....	34
NC-4210.....	34
NC-4210N.....	33
NC-4216.....	35
NC-4226.....	35
NC-4230.....	34
NC-4230NE.....	35
NC-4230Q.....	34
NC-4232Q.....	34
NC-4232QKIT.....	44
NC-4233Q.....	30
NC-4233QH.....	30
NC-4233TL.....	30
NC-4233QKIT.....	44
NC-4236.....	30
NC-4236Q.....	30
NC-4240.....	34
NC-4255Q.....	27

NC-4255QH.....	27
NC-4255QP.....	27
NC-4255QHP.....	27
NC-4255PVC.....	27
NC-4255QKIT.....	44
NC-4255Q-41KIT.....	47
NC-4255Q-41KITA05.....	47
NC-4256.....	31
NC-4256Q.....	31
NC-4265Q.....	27
NC-4266.....	31
NC-4258.....	31
NC-4610.....	31
NC-4610Q.....	31
NC-4610N.....	33
NC-4611Q.....	32
NC-4620QN.....	32
NC-4630.....	32
NC-4630Q.....	32
NC-4650.....	32
NC-4650H.....	32
NC-4650KIT.....	45
NC-4811.....	32
NC-498.....	28
NC-6113.....	38
NC-6123.....	38
NC-6210.....	36
NC-6210Q.....	36
NC-6213.....	37
NC-6215.....	38
NC-6216.....	38
NC-6217.....	37
NC-6218.....	38
NC-6220.....	36
NC-6225.....	38
NC-6226.....	38
NC-6236.....	36
NC-6236Q.....	36
NC-6236QKIT.....	45
NC-6255Q.....	36
NC-6255QH.....	36
NC-6255QKIT.....	45
NC-6266.....	37
NC-6266-6.....	37
NC-8211.....	40
NC-8212.....	38
NC-8216.....	41
NC-8217.....	25
NC-8219.....	25
NC-8221.....	40
NC-8226.....	41
NC-8226Q.....	41
NC-8232.....	40
NC-8237.....	39
NC-8247.....	39
NC-8242.....	42
NC-8242-8.....	42



# ALPHABETIC INDEX

NC-8252.....	42
NC-8262.....	42
NC-8266P.....	39
NC-8266P-6.....	39
NC-8311.....	40
NC-8322.....	43
NC-8332.....	41
NC-8332-6.....	41
NC-8341.....	41
NC-8342.....	43
NC-8343.....	40
NC-8343-8.....	40
NC-8351.....	40
NC-8362.....	43
NC-8372.....	43
NC-8382.....	42
NC-8382-8.....	42
NC-9223.....	43
NC-9243.....	43
NE-0357.....	54
NE-0405-KIT.....	55
NE-0413.....	54
NE-0413S.....	54
NE-251.....	52
NE-251R.....	53
NE-261.....	53
NE-321.....	53
NE-332.....	52
NE-343.....	53
NE-351.....	52
NE-351R.....	53
NE-352.....	52
NE-361.....	53
NE-362.....	53
NE-383.....	125
NE-3901.....	51
NE-3920.....	51
NE-399.....	51
NE-421.....	53
NE-432.....	52
NE-443.....	53
NE-451R.....	53
NE-462.....	51
NE-462T.....	126
NE-483.....	125
NE-488.....	35
NE-4901.....	51
NE-499.....	51
NE-499N.....	54
<b>P</b>	
PA-111.....	112
PA-201.....	112
PA-201V.....	112
PA-202.....	113
PA-203.....	113
PA-211.....	112
PA-211TS.....	114

PA-301.....	112
PA-301V.....	113
PA-312.....	113
PA-321.....	112
PA-401V.....	113
PA-9064.....	116
PA-9048.....	116
PA-9048PT.....	115
PA48PB06T.....	115
PA-MC.....	112
PB-1305.....	114
PB-1308.....	114
PB-1310.....	114
PB-1312.....	114
PB-2402.....	114
PB-9006.....	116
PB-9010.....	116
PB-9006PT.....	115
PC-901.....	94
PC-2010.....	94
PE-MC.....	112
PN-150.....	85
PN-180.....	85
PN-250.....	85
PN-280.....	85
<b>Q</b>	
QA-0115.....	62
QA-0207.....	62
QA-0215.....	62
QA-0615.....	62
QA-101.....	60
QA-110.....	126
QA-111.....	60
QA-116.....	126
QA-131.....	42
QA-141.....	42
QA-141L.....	42
QA-143.....	42
QA-151.....	42
QA-163.....	42
QA-163L.....	42
QA-1710.....	58
QA-210.....	60
QA-211.....	60
QA-231Q.....	60
QA-241.....	60
QA-311.....	61
QA-313.....	61
QA-315.....	61
QA-412.....	63
QA-421.....	63
QA-431.....	63
QA-432.....	63
QA-441.....	63
QA-4507.....	63
QA-511.....	63
QA-611.....	59

QA-632Q.....	59
QA-633Q.....	57
QA-651N.....	132
QA-681.....	126
QB-0618.....	131
QB-0808.....	136
QB-0808U.....	136
QB-104.....	66
QB-105.....	66
QB-107.....	66
QB-114.....	66
QB-115.....	66
QB-117.....	67
QB-124.....	66
QB-125.....	66
QB-134.....	66
QB-135.....	66
QB-144.....	66
QB-145.....	66
QB-154.....	66
QB-155.....	66
QB-164.....	66
QB-165.....	66
QB-177.....	67
QB-179.....	68
QB-185.....	68
QB-187.....	68
QB-194.....	69
QB-194L.....	69
QB-194-CN.....	69
QB-195-85.....	69
QB-195-120.....	69
QB-195L-85.....	70
QB-195L-120.....	70
QB-195-CN.....	70
QB-197Q.....	68
QB-199.....	70
QB-1004.....	70
QB-2925.....	71
QB-2925L.....	71
QB-311.....	72
QB-312.....	72
QB-313.....	72
QB-321.....	72
QB-322.....	73
QB-322C.....	73
QB-322RC.....	73
QB-324.....	72
QB-325N.....	73
QB-41902.....	80
QB-42502.....	76
QB-42602.....	76
QB-43802.....	78
QB-43902.....	78
QB-45602.....	80
QB-45612.....	80
QB-46502.....	76

QB-46512.....	76
QB-46602.....	76
QB-46612.....	76
QB-47602.....	78
QB-47612.....	78
QB-48111.....	81
QB-48012.....	81
QB-48112.....	81
QB-48212.....	81
QB-48211.....	81
QB-49602.....	76
QB-51602.....	75
QB-51612.....	75
QB-52502.....	76
QB-52602.....	76
QB-53802.....	78
QB-53902.....	78
QB-54602.....	80
QB-54702.....	80
QB-55602.....	76
QB-56602.....	78
QB-57602.....	80
QB-57642.....	80
QB-58502.....	76
QB-58542.....	77
QB-58602.....	76
QB-58642.....	77
QB-59602.....	79
QB-59642.....	79
QB-623.....	71
QB-7114.....	65
QB-7115.....	65
QB-7145.....	65
QB-7215M.....	65
QB-7245M.....	65
QB-802.....	136
QB-802T.....	128
QB-802TU.....	128
QB-802U.....	136
QB-812.....	120
QB-812U.....	136
QB-812T.....	128
QB-812TU.....	128
QB-904.....	190
QB-905.....	190
QB-907.....	190
QB-911Series.....	190
QB-912Series.....	190
QB-913.....	190
QB-914.....	190
QB-9211.....	190
QB-9213.....	190
QB-922.....	187
QB-923.....	187
QB-9302.....	186
QB-9303.....	186
QB-9303K04.....	194

# ALPHABETIC INDEX

QB-9305.....	186
QB-9306.....	186
QB-9307.....	186
QB-9327.....	186
QB-9345.....	186
QB-9315.....	186
QB-9316.....	186
QB-9337M.....	187
QB-9337S.....	187
QB-9355.....	186
QB-9356.....	186
QB-9366.....	186
QB-9434.....	189
QB-9434U.....	189
QB-9444.....	189
QB-9444U.....	189
QB-94Series.....	189
QB-95Series.....	189
QB-9702k.....	188
QB-9703k.....	188
QB-9712.....	188
QB-9713.....	188
QB-9712K.....	189
QB-9713K.....	189
QB-974K12.....	194
QB-9742K12.....	194
QB-9743K12.....	194
QB-9742K20.....	194
QB-9743K20.....	195
QB-9762K07.....	195
QB-9752K07.....	195
QB-9773K19.....	195
QC-213.....	85
QC-213T.....	126
QC-234.....	85
QC-234T.....	126
QC-253.....	85
QC-254.....	85
QC-264.....	127
QD-221.....	86
QD-230.....	86
QD-242.....	86
QD-291N.....	86
QD-321.....	84
QD-905P.....	191
QD-906P.....	191
QD-924P.....	191
QD-932P.....	191
QE-2130.....	91
QE-2133.....	91
QE-2137.....	91
QE-2143.....	91
QE-231.....	94
QE-323N.....	134
QE-331.....	90
QE-332.....	90
QE-333.....	90
QE-334.....	90

QE-341.....	92
QE-342.....	92
QE-343.....	92
QE-344.....	92
QE-431.....	90
QE-432.....	90
QE-433.....	90
QE-434.....	90
QE-441.....	92
QE-442.....	92
QE-443.....	93
QE-532.....	90
QE-533.....	91
QE-542.....	93
QE-543.....	93
QE-633.....	91
QE-624QA.....	152
QE-831.....	89
QE-833.....	90
QE-841.....	92
QE-843.....	92
QE-845.....	92
QE-933.....	91
QE-935.....	128
QE-936.....	128
QG-102.....	87
QG-103.....	87
QG-202.....	87
QK-Series.....	191
QK-111.....	87
QK-111T.....	127
QK-121.....	87
QM-1125.....	135
QM-901.....	191
QP-111.....	16
QP-113.....	82
QP-123.....	82
QP-123QP.....	152
QP-212N.....	133
QP-213N.....	133
QP-215.....	82
QP-223N.....	134
QP-307.....	82
QP-317.....	82
QP-323N.....	134
QP-327.....	82
QP-335.....	82
QP-415.....	128
QT-102.....	135
QT-113.....	135
QT-203.....	135
QT-112T.....	129
QT-203T.....	129
QT-303.....	129
<b>R</b>	
RA-101.....	98
RA-101C.....	98
RA-102.....	98

RA-105.....	98
RA-110.....	98
RA-111.....	29
RA-1132.....	100
RA-1131.....	97
RA-1151.....	97
RA-1141.....	97
RA-1142.....	100
RA-1162.....	100
RA-1232.....	98
RA-1242.....	98
RA-1272.....	98
RA-201.....	99
RA-2161.....	97
RA-2242.....	99
RA-2272.....	99
RA-301.....	100
RA-3011.....	102
RA-3017.....	102
RA-302.....	100
RA-402.....	101
RA-3023.....	102
RA-3111.....	102
RA-3117.....	102
RA-3123.....	102
RA-4008.....	102
RA-4015.....	102
RA-4021.....	102
RA-4108.....	102
RA-4115.....	102
RA-4121.....	102
RA-5005.....	102
RA-5008.....	102
RA-5017.....	102
RA-505N.....	135
RA-5105.....	102
RA-5108.....	102
RA-5117.....	102
RA-606.....	98
RA-608.....	99
RA-801.....	101
RA-801EA.....	97
RA-802.....	101
RA-811.....	101
<b>S</b>	
SA-2015.....	150
SA-3215.....	150
SA-3315.....	150
SA-4320.....	150
SA-4420.....	150
SB-6042.....	22
SB-3030.....	22
SB-3038.....	22
SB-4031.....	22
SB-4151.....	22
SB-2031.....	22
SB-2131.....	22
SB-201.....	136

SB-215.....	136
SB-304.....	137
SB-422.....	137
SB-423.....	137
SB-501.....	137
SC-005.....	138
SC-05C.....	107
SC-06C.....	107
SC-211C.....	106
SC-212C.....	106
SC-221C.....	106
SC-222C.....	106
SC-2A.....	191
SC-2B.....	191
SC-331C.....	106
SC-332C.....	106
SC-341C.....	106
SC-33C.....	107
SC-34C.....	107
SC-342C.....	106
SC-415P.....	191
SC-425P.....	191
SD-22107.....	151
SD-22115.....	151
SD-22160.....	151
SD-23110.....	151
SD-23115.....	151
SD-23210.....	151
SD-23215.....	151
SD-23315.....	151
SD-24415.....	151
SE-1025.....	137
SE-1101.....	137
SF-306.....	184
SF-604.....	184
SF-605.....	184
SG-400.....	122
SG-400C.....	122
SG-401.....	122
SG-500.....	122
SG-501.....	122
SH-1001.....	184
SJ-1650T.....	118
SJ-1830.....	118
SJ-1830F.....	118
SJ-1850F.....	118
SJ-C1830F.....	118
SJ-BNF-1664.....	118
SJ-CN55.....	120
SJ-CN70.....	120
SJ-CN57.....	120
SJ-CN65.....	120
SJ-TN64.....	118
SK-1010.....	136
SK-1131.....	136
SM-0503.....	139
SM-0813.....	139
SM-0911.....	139
SN-1032.....	106

## ALPHABETIC INDEX

SN-124.....	191	SU-H3522S.....	119	SY-321F.....	196	TE-442210.....	158
SN-128.....	191	SU-H3218S.....	119	SY-321M.....	196	TE-205025N.....	158
SN-1268.....	108	SU-H3222S.....	119	SY-251F.....	196	TE-225250N.....	158
SN-1288.....	108	SU-A3518S.....	119	SY-251M.....	196	TE-305025N.....	158
SN-1368.....	108	SU-A3522S.....	119	SY-351F.....	196	TE-325250N.....	158
SN-2110.....	108	SU-A3218S.....	119	SY-351M.....	196	TE-428210N.....	158
SN-2128.....	108	SU-A3222S.....	119	SY-210SM.....	196	TE-450350N.....	158
SN-2124.....	108	SV-1240.....	143	SY-210SF.....	196	TW-210222.....	158
SN-268.....	191	SV-1260.....	144	SY-220SM.....	196	TW-310552.....	159
SN-288.....	191	SV-1360.....	144	SY-220SF.....	196	TW-402102N.....	158
SN-3111C.....	108	SV-1460.....	147	SY-230SM.....	196	TW-404202N.....	158
SN-3112C.....	108	SV-1660.....	148	SY-230SF.....	196	TW-406302N.....	158
SN-3113C.....	108	SV-1860.....	148	SY-250SM.....	196	TW-408402N.....	158
SN-3114C.....	108	SV-2220.....	143	SY-250SF.....	196	TW-411102.....	158
SN-3121C.....	108	SV-2230.....	143	SY-210SM-L.....	197	TW-412202.....	158
SN-3122C.....	108	SV-2260.....	145	SY-210SF-L.....	197	TW-611552N.....	158
SN-3123C.....	108	SV-2280.....	145	SY-220SM-L.....	197	TW-615752N.....	158
SN-3124C.....	108	SV-2330.....	143	SY-220SF-L.....	197	TW-611602.....	159
SN-3212C.....	108	SV-2360.....	145	SY-0213M.....	197	TW-611802.....	159
SN-3213C.....	108	SV-2380.....	145	SY-0313M.....	197	TW-612102.....	159
SN-3214C.....	108	SV-2431.....	144	SY-0413M.....	197	TB-205025N.....	23
SN-3222C.....	108	SV-2460.....	147	SY-0223M.....	197	TB-305025N.....	23
SN-3223C.....	108	SV-2660.....	149	SY-0323M.....	197	TB-320110N.....	23
SN-3224C.....	108	SV-2860.....	149	SY-0423M.....	197	TB-420210N.....	23
SN-9101.....	107	SV-3260.....	146	SY-0233M.....	197	TB-450350N.....	23
SN-9103.....	107	SV-3360.....	146	SY-0333M.....	197	TB-610060N.....	23
SN-9201.....	107	SV-3460.....	146	SY-0433M.....	197	TB-615080N.....	23
SN-9203.....	107	SV-3660.....	148	SY-1213F.....	197	TB-620100N.....	23
SP-101.....	104	SV-3860.....	148	SY-1313F.....	197		
SP-102.....	104	SW-12.....	149	SY-1413F.....	197		
SP-103.....	104	SW-13.....	149	SY-1223F.....	197		
SP-104.....	104	SX-2101.....	141	SY-1323F.....	197		
SP-105.....	104	SX-1618.....	21	SY-1423F.....	197		
SP-111.....	104	SX-1201.....	141	SY-1233F.....	197		
SP-112.....	104	SX-1615.....	141	SY-1333F.....	197		
SP-113.....	104	SX-3201.....	141	SY-1433F.....	197		
SP-212.....	104	SX-3202.....	141	SY-2213P.....	197		
SP-213.....	104	SX-3203.....	141	SY-2313P.....	197		
SP-3050.....	104	SX-3101.....	140	SY-2413P.....	197		
SP-3070.....	104	SX-3102.....	140	SY-2223P.....	197		
SP-3090.....	104	SX-3103.....	140	SY-2323P.....	197		
SP-3150.....	104	SX-3111.....	140	SY-2423P.....	197		
SP-3320.....	104	SX-3112.....	140	SY-2233P.....	197		
SP-3300.....	104	SY-2001M.....	196	SY-2333P.....	197		
SP-3400.....	103	SY-2002M.....	196	SY-2433P.....	197		
SP-3500.....	103	SY-210F.....	196	SY-3113H.....	197		
SP-3600.....	103	SY-210M.....	196	SY-3213H.....	197		
SP-3700.....	103	SY-211F.....	196	SY-3313H.....	197		
SQ-0217.....	138	SY-211M.....	196	SY-3413H.....	197		
SR-2101.....	138	SY-220F.....	196	SY-3123H.....	197		
ST-10C521.....	153	SY-220M.....	196	SY-3223H.....	197		
ST-10C522S.....	153	SY-221F.....	196	SY-3323H.....	197		
ST-11B7.....	153	SY-221M.....	196	SY-3423H.....	197		
SU-8016.....	118	SY-230F.....	196	SY-3133H.....	197		
SU-9025.....	118	SY-230M.....	196	SY-3233H.....	197		
SU-9040.....	118	SY-231F.....	196	SY-3333H.....	197		
SU-C1022J.....	118	SY-231M.....	196	SY-3433H.....	197		
SU-C422J.....	118	SY-320F.....	196				
SU-H3518S.....	119	SY-320M.....	196				

## W

WG-202.....	138
WG-202N.....	158

## Y

YA-0303.....	200
--------------	-----

## Z

ZB-306/307.....	200
ZB-604.....	200
ZB-9156.....	200
ZB-812/814.....	200
ZC-107.....	201
ZC-111.....	201
ZC-112.....	201
ZC-201.....	200
ZC-202-1.....	200
ZC-203.....	200
ZC-501.....	200
ZC-303.....	201
ZE-03.....	201
ZF-01/02.....	201
ZH-104.....	201
ZG-101.....	201
ZT-31.....	102
ZT-13-1.....	185
ZT-13-2.....	185

## T